

USER GUIDE

Toro Fiber Adapter Plate Bracket

Heavy Duty Bracket Which Holds Two Fiber Adapter Plates, Wall or DIN Rail Mounted

The Toro Fiber Adapter Plate Bracket is a compact, cost effective way to breakout fiber in a wall mount or DIN rail environment where splicing is not necessary and space is at a premium.

This heavy duty steel bracket holds two, LGX foot print, fiber adapter plates. Fiber Adapter Plates are ordered separately and are available with a wide range of connector options and fiber counts. ST, SC, FC, LC are just some of the adapter types available. This bracket can accommodate up to 48 Fibers when used with two 24 Fiber LC adapter plates.

The Toro Fiber Adapter Plate Bracket is powder coated light grey and can be wall mounted with the included hardware or it can be DIN rail mounted when ordered with the accessory DIN clip. It can be ordered together with adapter plates pre-installed for quick installation in the field.

Key Features

- Steel bracket, powder coated light grey
- Holds two (2) Fiber adapter plates
- Compatible with RLH Fiber Adapter Plates and LGX Foot Print Adapter Plates
- Supports up to 48 fiber strands, when used with LC Quad Adapter Plates
- Wide variety of adapters plates available: ST, SC, FC, LC, MTRJ, MTP, and APC
- Low Profile less than 3 inches deep
- Wall mounting hardware included
- Optional heavy duty DIN-Rail Clip available
- Limited Lifetime Warranty



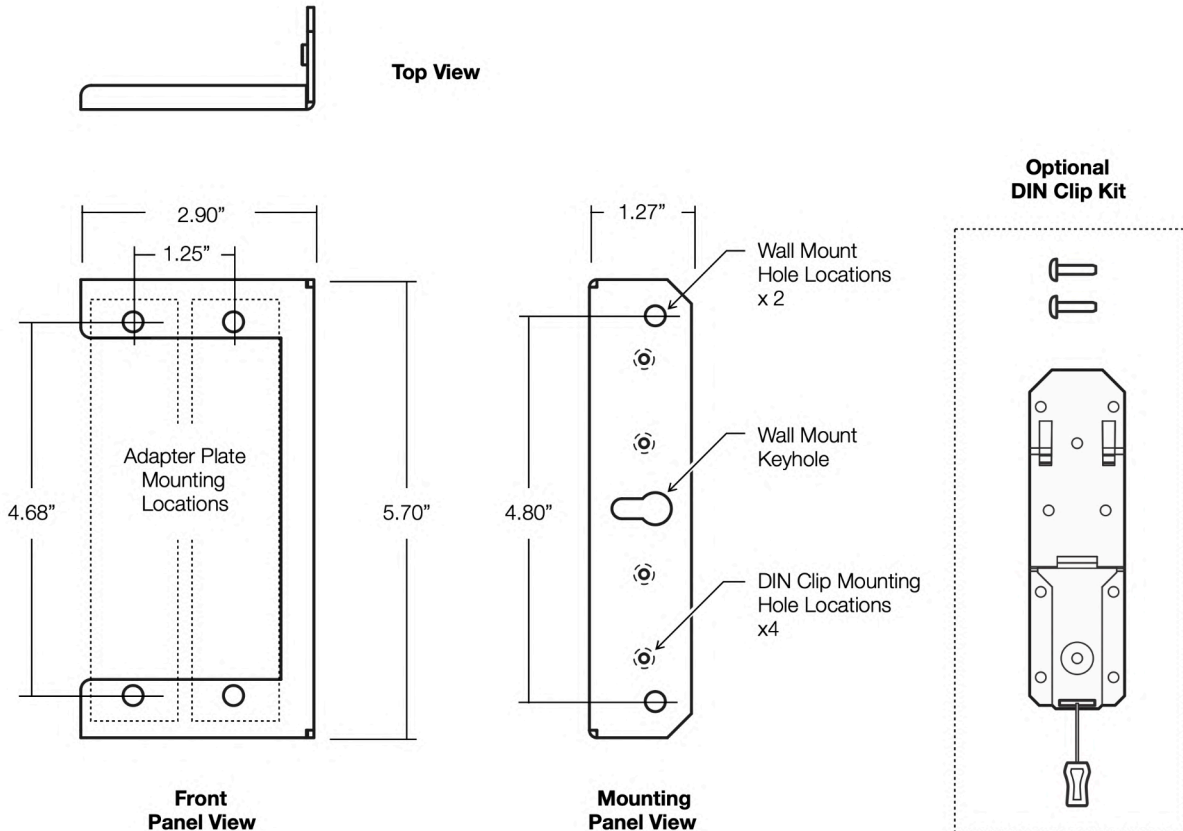
Toro Fiber Adapter Plate Bracket



Bracket on DIN

Dimensions & Components

The dimensional diagram below calls out important features of the Wall Mount Patch Panel.



Installation

Pre-position the bracket to plan out cable routings and check for any potential problems with the location. The bracket may be mounted in any orientation making it a flexible solution in the field.

Wall Mounting

For wall mounting on wooden backboard use the included 3/4" screws. For all other mounting applications, use appropriate mounting hardware as required. Once the position is determined, mark out the mounting points, pre-drill a pilot hole to avoid cracking or splitting and then securely fasten bracket to the wall.

DIN Rail Mounting

For DIN rail applications, mount the DIN Clip to the appropriate mounting holes depending on the position preferred for the solution. When installing the DIN Clip use the lowest set of holes. This will center the DIN rail to the bracket.

USER GUIDE

Ordering Information

Use the following part number when ordering the patch panel without fiber adapter plates.

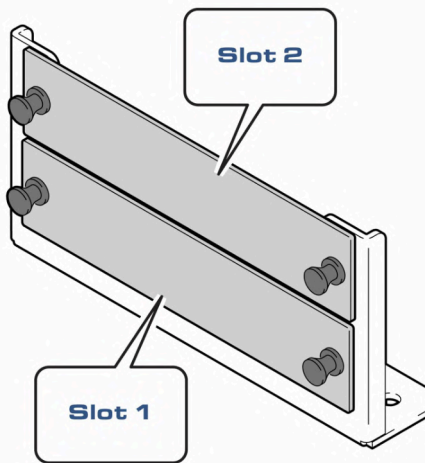
Description	Mounting	Capacity	Dimensions	Part Number
Toro Fiber Adapter Plate Bracket	Wall	2 Adapter Plates	1.27" (W) x 2.9" (D) x 5.7" (H)	WMB2-A-1
Toro Fiber Adapter Plate Bracket	DIN Rail	2 Adapter Plates	1.27" (W) x 2.9" (D) x 5.7" (H)	WMB2-A-1-D

- Fiber Adapter Plates are ordered separately and may be preinstalled prior to shipping

Description	Part Number
DIN Rail Mounting Kit	DIN-CLIP30

Ordering with Fiber Adapter Plates and DIN Clip

Use the ordering code below to order the patch panel with fiber adapter plates and/or DIN Clip preinstalled. Refer to the Fiber Adapter Plate Chart on the following pages.



Example #1:	WMB2 - A - 08 - 08 - 1	
Slot 1 (08):		AP-ST12-LSMM-G
Slot 2 (08):		AP-ST12-LSMM-G
Din Clip (Blank):		None
Example #2:	WMB2 - A - 66 - 66 - 1 - D	
Slot 1 (66):		AP-LC3-LDMX-G
Slot 2 (66):		AP-LC3-LDMX-G
Din Clip (-D):		DIN-CLIP30

WMB2 - A - XX - XX - 1 -X

Slot 1 Slot 2

Fiber Adapter Plates
Use the code from the Adapter Plate Chart* to populate slots with adapter plates

DIN Clip
Add "-D" to include preinstalled DIN Clip

*Please refer to the **Fiber Adapter Plate Chart** on the following page.

Ordering Information (cont'd)

Adapter Plate Chart

Use the Adapter Code to specify the desired plate style to be preinstalled.

Adapter	Mode	Adapter Plate Style				Supported Fiber Types	Grey Plate Part Number	Adapter Code
		Type	Fibers	Positions	Color			
Blank	-	-	-	-	-	-	AP-BLANK-G	00
ST	SM	Simplex	6	6	Yellow Caps	OS1/OS2	AP-ST6-LSSM-G	01
			12	12	Yellow Caps	OS1/OS2	AP-ST12-LSSM-G	03
	MM	Simplex	6	6	Black Caps	OM1~OM4	AP-ST6-LSMM-G	06
			12	12	Black Caps	OM1~OM4	AP-ST12-LSMM-G	08
FC	SM	Simplex	6	6	Yellow Caps	OS1/OS2	AP-FC6-LSSM-G	20
	MM	Simplex	6	6	Black Caps	OM1/OM2	AP-FC6-LSMM-G	23
FC/APC	SM	Simplex	6	6	Green Caps	OS1/OS2	AP-FA6-LSSM-G	26
SC	SM	Simplex	6	6	■ blue	OS1/OS2	AP-SC6-LSSM-G	30
		Duplex	12	6	■ blue	OS1/OS2	AP-SC6-LDSM-G	32
	MM	Simplex	6	6	■ beige	OM1/OM2	AP-SC6-LSMM-G	33
		Duplex	12	6	■ beige	OM1/OM2	AP-SC6-LDMM-G	35
SC/APC	SM	Simplex	6	6	■ green	OS1/OS2	AP-SA6-LSSM-G	36
		Duplex	12	6	■ green	OS1/OS2	AP-SA6-LDSM-G	38
SC 10G	MM	Simplex	6	6	■ aqua	OM3/OM4	AP-SC6-LSMX-G	39
		Duplex	12	6	■ aqua	OM3/OM4	AP-SC6-LDMX-G	41
LC	SM	Duplex	6	3	■ blue	OS1/OS2	AP-LC3-LDSM-G	51
			12	6	■ blue	OS1/OS2	AP-LC6-LDSM-G	52
			24	6	■ blue	OS1/OS2	AP-LC6-LQSM-G	54
	MM	Duplex	6	3	■ beige	OM1/OM2	AP-LC3-LDMM-G	56
			12	6	■ beige	OM1/OM2	AP-LC6-LDMM-G	57
			24	6	■ beige	OM1/OM2	AP-LC6-LQMM-G	59
LC/APC	SM	Duplex	6	3	■ green	OS1/OS2	AP-LA3-LDSM-G	61
			12	6	■ green	OS1/OS2	AP-LA6-LDSM-G	62
			24	6	■ green	OS1/OS2	AP-LA6-LQSM-G	64
LC 10 GIG	MM	Duplex	6	3	■ aqua	OM3/OM4	AP-LC3-LDMX-G	66
			12	6	■ aqua	OM3/OM4	AP-LC6-LDMX-G	67
			24	6	■ aqua	OM3/OM4	AP-LC6-LQMX-G	69
CAT6 RJ-45	-	Coupler	-	4	-	-	AP-RJCAT6-CP4-G	90
		Punchdown	-	4	-	-	AP-RJCAT6-PD4-G	91

USER GUIDE

www.fiberopticlink.com

Key Specifications

Adapter Plates:	Holds 2 LGX® plates Up to 24 Fibers each plate (LC Quad adapters) *Ordered Separately
Mounting Style:	Wall (hardware included) DIN rail (DIN rail kit ordered separately or may be ordered preinstalled)
Environmental:	Indoor, 2 plate bracket design
Construction:	Powder coated steel
Dimensions:	1.27" (W) x 2.9" (D) x 5.7" (H), (33mm x 74mm x 145mm)

Contact

By Mail:	Att: Sales RLH Industries, Inc. 936 N. Main St. Orange, CA 92867
----------	---

By Phone: Sales / Service Mon - Fri, 6am - 6pm, PST	Local	714-532-1672
	Toll Free	800-877-1672 866-DO-FIBER

By Email:	info@fiberopticlink.com
-----------	--

By FAX:	714-532-1885
---------	--------------

Tech Support

By Email:	support@fiberopticlink.com
-----------	--

By Phone:	Toll Free	855-754-2497 855-RLH-24X7
-----------	-----------	------------------------------