



Toro Fiber Adapter Plate Bracket

Heavy Duty Bracket, Wall or DIN Rail Mounted Dual Adapter Plate

The Toro Fiber Adapter Plate Bracket is a compact, cost effective way to breakout fiber in a wall mount or DIN rail environment where splicing is not necessary and space is at a premium.

This heavy duty steel bracket holds two, LGX foot print, fiber adapter plates. Fiber Adapter Plates are ordered separately and are available with a wide range of connector options and fiber counts. ST, SC, FC, LC are just some of the adapter types available. This bracket can accommodate up to 48 Fibers when used with two 24 Fiber LC adapter plates.

The Toro Fiber Adapter Plate Bracket is powder coated light grey and can be wall mounted with the included hardware or it can be DIN rail mounted when ordered with the accessory DIN clip. It can be ordered together with adapter plates pre-installed for quick installation in the field.

Key Features

- Steel bracket, powder coated light grey
- Holds two (2) Fiber adapter plates
- Compatible with RLH Fiber Adapter Plates and LGX Foot Print Adapter Plates
- Supports up to 48 fibers strands with LC Quad Adapter Plates
- Wide variety of adapters plates available: ST, SC, FC, LC, MTRJ, MTP, and APC
- Low Profile, less than 3 inches deep
- Wall mounting hardware included
- Optional heavy duty DIN-Rail Clip available
- Limited Lifetime Warranty



Toro Fiber Adapter Plate Bracket

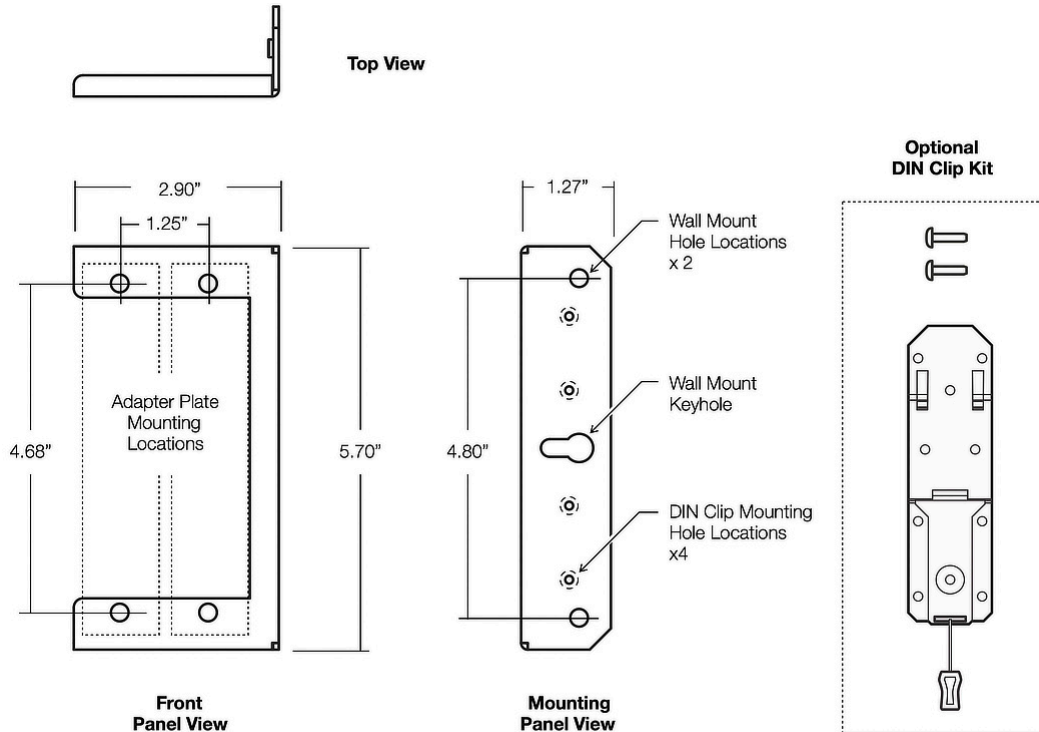


Bracket on DIN



Dimensions & Components

The dimensional diagram below calls out important features of the Wall Mount Patch Panel.



Installation

Wall Mounting

Choose a suitable location, with room for the door to open fully for easy access to the interior. Pre-position the patch panel to plan out cable routings and check for any potential problems with the location. The patch panel may be mounted in any orientation making it a flexible solution in the field.

Once the position is determined, mark out the mounting points and use the included hardware to mount the patch panel when mounting to wood surfaces. For all other mounting applications, use the appropriate mounting hardware as required.

Adapter Plates

The Toro Adapter Plate Bracket accommodates two LGX adapter plates. The LGX style adapter plates are easily installed and removed by pushing in or pulling out the two finger plunger latches on each side of the plate. When the plunger latches are in the OUT position, the fiber adapter plate can be inserted or removed. Pushing the latch into the IN position locks the adapter plate into position and prepares the plate for use.

DIN Rail Mounting

For DIN rail applications, mount the DIN Clip to the appropriate mounting holes depending on the position preferred for the solution. When installing the DIN Clip use the lowest set of holes. This will center the DIN rail to the bracket.

Ordering Information

Use the following part number when ordering the patch panel without fiber adapter plates or pigtails.

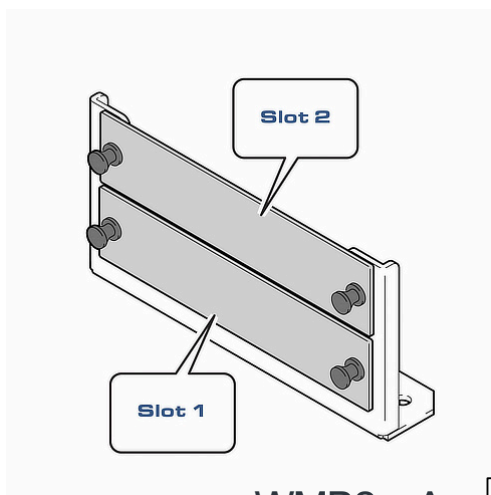
Description	Mounting	Capacity	Dimensions	Part Number
Toro Fiber Adapter Plate Bracket	Wall	2 Adapter Plates	1.27" (W) x 2.9" (D) x 5.7" (H)	WMB2-A-1
Toro Fiber Adapter Plate Bracket	DIN Clip	2 Adapter Plates	1.27" (W) x 2.9" (D) x 5.7" (H)	WMB2-A-1-D

- Fiber adapter plates and/or pigtails can be ordered separately; plates can be preinstalled, while pigtails will be bundled

Description	Part Number
DIN Rail Mounting Kit	DIN-CLIP30

Ordering with Fiber Adapter Plates and DIN Clip

Use the ordering code below to order the patch panel with any combination of a preinstalled adapter plates. Refer to the Fiber Adapter Plate Chart on the following page.



Example #1:	WMB2 - A - 08 - 08 - 1
Slot 1 (08):	AP-ST12-LSMM-G
Slot 2 (08):	AP-ST12-LSMM-G
Din Clip (Blank):	None
Example #2:	WMB2 - A - 66 - 66 - 1 - D
Slot 1 (66):	AP-LC3-LDMX-G
Slot 2 (66):	AP-LC3-LDMX-G
Din Clip (-D):	DIN-CLIP30

WMB2 - A - XX - XX - 1 -X

Fiber Adapter Plates
Use the code from the Adapter Plate Chart* to populate slots with adapter plates

DIN Clip
Add "-D" to include preinstalled DIN Clip

*Please refer to the **Fiber Adapter Plate Chart** on the following page

Ordering Information (cont'd)

Adapter Plate Chart

Use the Adapter Code to specify the desired plate style to be preinstalled.

Adapter Plate Style						Supported Fiber Types	Gray Plate Part Number	Adapter Code
Adapter	Mode	Type	Fibers	Positions	Color			
Blank	-	-	-	-	-	-	AP-BLANK-G	00
ST	SM	Simplex	6	6	Yellow Caps	OS1/OS2	AP-ST6-LSSM-G	01
			12	12	Yellow Caps	OS1/OS2	AP-ST12-LSSM-G	03
	MM	Simplex	6	6	Black Caps	OM1~OM4	AP-ST6-LSMM-G	06
			12	12	Black Caps	OM1~OM4	AP-ST12-LSMM-G	08
FC	SM	Simplex	6	6	Yellow Caps	OS1/OS2	AP-FC6-LSSM-G	20
	MM		6	6	Black Caps	OM1/OM2	AP-FC6-LSMM-G	23
FC/APC	SM	Simplex	6	6	Green Caps	OS1/OS2	AP-FA6-LSSM-G	26
SC	SM	Simplex	6	6	■ blue	OS1/OS2	AP-SC6-LSSM-G	30
	SM		6	3	■ blue	OS1/OS2	AP-SC3-LDSM-G	43
	SM	Duplex	12	6	■ blue	OS1/OS2	AP-SC6-LDSM-G	32
	MM		6	6	■ beige	OM1/OM2	AP-SC6-LSMM-G	33
	MM	Duplex	6	3	■ beige	OM1/OM2	AP-SC3-LDMM-G	44
	MM		12	6	■ beige	OM1/OM2	AP-SC6-LDMM-G	35
SC/APC	SM	Simplex	6	6	■ green	OS1/OS2	AP-SA6-LSSM-G	36
	SM		6	3	■ green	OS1/OS2	AP-SA3-LSSM-G	45
	SM	Duplex	12	6	■ green	OS1/OS2	AP-SA6-LDSM-G	38
SC 10G	MM	Simplex	6	6	■ aqua	OM3/OM4	AP-SC6-LSMX-G	39
	MM		6	3	■ aqua	OM3/OM4	AP-SC3-LSMX-G	42
	MM	Duplex	12	6	■ aqua	OM3/OM4	AP-SC6-LDMX-G	41
LC	SM	Duplex	6	3	■ blue	OS1/OS2	AP-LC3-LDSM-G	51
			12	6	■ blue	OS1/OS2	AP-LC6-LDSM-G	52
		Quad	24	6	■ blue	OS1/OS2	AP-LC6-LQSM-G	54
	MM	Duplex	6	3	■ beige	OM1/OM2	AP-LC3-LDMM-G	56
			12	6	■ beige	OM1/OM2	AP-LC6-LDMM-G	57
Quad		24	6	■ beige	OM1/OM2	AP-LC6-LQMM-G	59	
LC/APC	SM	Duplex	6	3	■ green	OS1/OS2	AP-LA3-LDSM-G	61
			12	6	■ green	OS1/OS2	AP-LA6-LDSM-G	62
		Quad	24	6	■ green	OS1/OS2	AP-LA6-LQSM-G	64
LC 10G	MM	Duplex	6	3	■ aqua	OM3/OM4	AP-LC3-LDMX-G	66
			12	6	■ aqua	OM3/OM4	AP-LC6-LDMX-G	67
		Quad	24	6	■ aqua	OM3/OM4	AP-LC6-LQMX-G	69
Unshielded CAT6 RJ-45	-	Coupler	-	4	■ black	-	AP-RJCAT6-CP4-G	90
	-	Punchdown	-	4	■ black	-	AP-RJCAT6-PD4-G	91
	-	Coupler	-	6	■ black	-	AP-RJCAT6-CP6-G	92
Shielded CAT6 RJ-45	-	Coupler	-	4	■ Metallic	-	AP-RJCAT6S-CP4-G	94
	-	Punchdown	-	4	■ Metallic	-	AP-RJCAT6S-PD4-G	95
	-	Coupler	-	6	■ Metallic	-	AP-RJCAT6S-CP6-G	97
	-	Punchdown	-	6	■ Metallic	-	AP-RJCAT6S-PD6-G	98



Key Specifications

Adapter Plates	Holds up to 2 LGX® plates Up to 48 Fibers (24 Fibers each plate)* <i>*Ordered Separately</i>
Mounting Style	Wall or DIN Rail Mountable* <i>*DIN rail kit ordered separately or may be ordered preinstalled</i>
Environment	Indoor, 2 plate bracket design
Construction	Powder coated steel
Dimensions	1.27" (W) x 2.9" (D) x 5.7" (H), (33mm x 74mm x 145mm)* <i>*Not including latches or grommets</i>

Contact

By Mail:	ATTN: Sales RLH Industries, Inc. 936 N. Main Street Orange, CA 92867
By Phone:	Local 714-532-1672
Sales/Service	Toll Free 800-877-1672
By Email:	info@fiberopticlink.com
By Fax:	714-532-1885

Support

By Email:	support@fiberopticlink.com
By Phone:	Toll Free 855-754-2497