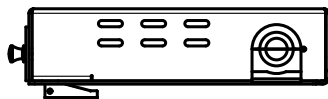


2

1

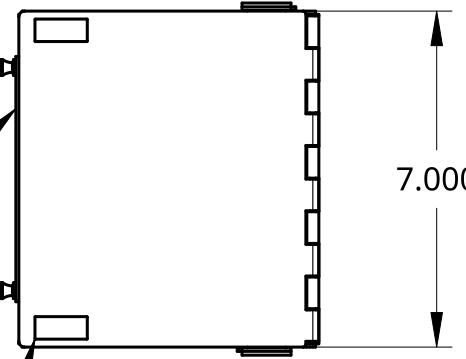


TOP VIEW



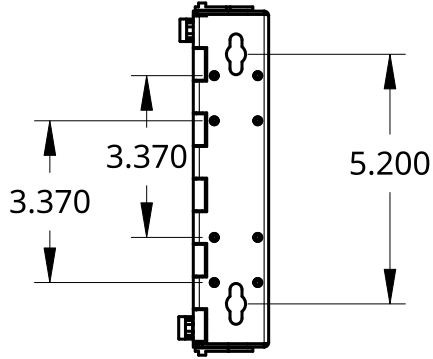
LEFT VIEW

Blank Adapter Plate

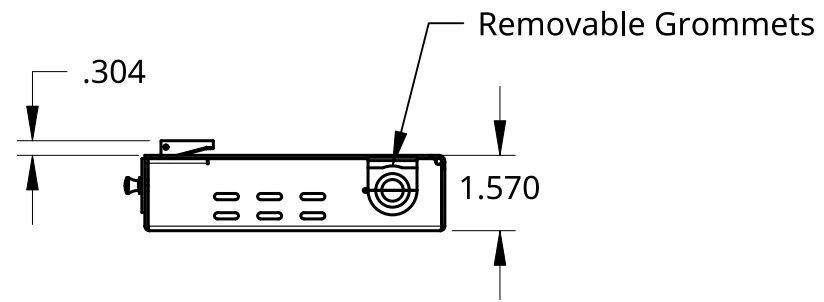


FRONT VIEW

Latches



RIGHT VIEW



BOTTOM VIEW

UNLESS OTHERWISE SPECIFIED,
DIMENSIONS ARE IN INCHES
.XX = ±.0-
.XXX = ±.00-
.XXXX = ±.000-

SURFACE FINISH ✓

DO NOT SCALE DRAWING

BREAK ALL SHARP EDGES AND REMOVE BURRS

THIRD ANGLE PROJECTION



	NAME	DATE
DRAWN	Kevin Nguyen	09/25/2020
CHECKED		
APPROVED		

RLH **FIBEROPTICLINK**
RLH Industries, Inc.

TITLE
1 Plate Slimline Patch Panel-Housing

SIZE **A** DWG. NO. **PWS1-A-1** REV.

SCALE **1:4** WEIGHT SHEET **1 of 2**

B

B

A

A

2

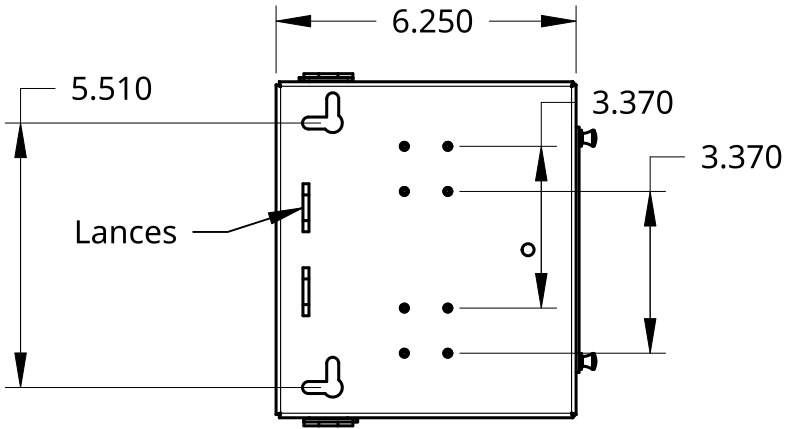
1

2

1

B

B



BACK VIEW

A

A

2

1

DWG. NO.	PWS1-A-1	SIZE	A	SCALE	1:4	SHEET	2 of 2	REV.	
----------	----------	------	---	-------	-----	-------	--------	------	--