

## USER GUIDE

### Slimline Nano Fiber Patch Panel

#### Ultra Small Foot Print Wall or DIN Mount Fiber Patch Panel

The Slimline Nano Fiber Patch Panel is designed to provide an ultra small foot print for fiber optic patching and splicing applications where a wall or DIN rail mounting is desired.

The patch panel holds one fiber adapter plate which is available with ST, SC, FC, LC, MTRJ, UPC, and APC style adapters. The adapter plate may be ordered separately or preinstalled, and a fiber pigtail can be ordered bundled with the patch panel through our configurator.

The sturdy steel enclosure is powder coated light grey and features a hinged door secured with convenient flip down plunger latches. The door offers easy and full access to the inside compartment making the installation and cable routing less challenging.

Each patch panel includes an adhesive splice holder, fiber splice protection sleeves, distribution chart, cable mounting tie-downs, and adhesive Velcro® hook and straps for securing fiber cable. Self-sealing, removable 1" grommets on the top and bottom of the enclosure allow a safe entrance and exit for the fiber cable.

The patch panel can be wall mounted with the include hardware or DIN rail mounted when ordered with a DIN clip. The heavy duty DIN clip allows for quick and secure mounting in a variety of applications where DIN rail is present.

#### Key Features

- Optional heavy duty DIN-Rail clip for DIN Mounting Applications
- Supports ST, SC, FC, LC, MTRJ, UPC, APC style adapters
- Steel enclosure, powder coated light grey
- Holds 1 adapter plate
- Hinged door with plunger latches
- Wall mounting hardware included
- Splice holder and fiber splice protection sleeves included
- Self-sealing removable grommets on the top and bottom
- Adhesive Velcro hook and straps for easy and flexible fiber management included



DIN Mount

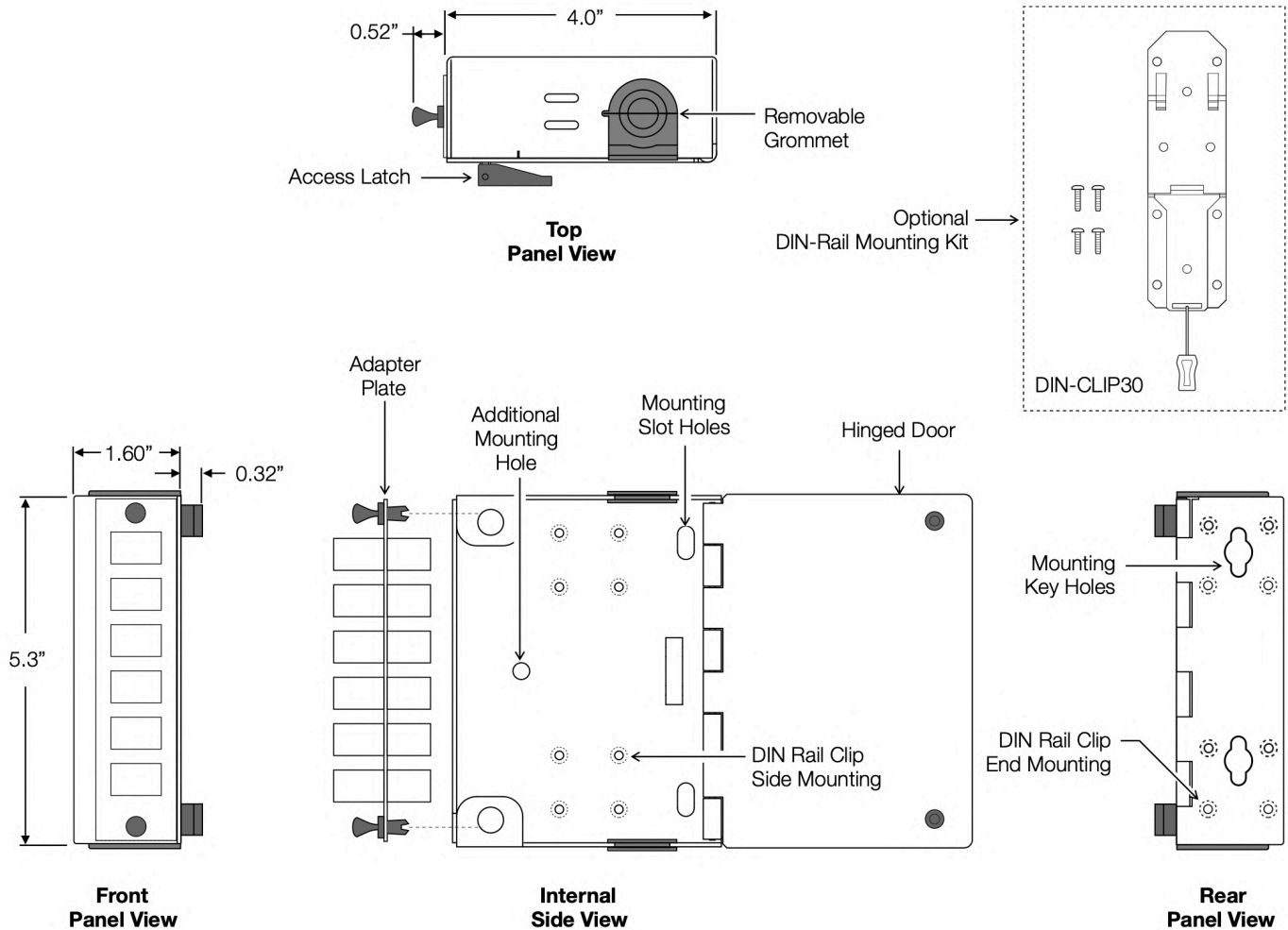


Wall Mount

## USER GUIDE

### Dimensions & Components

The dimensional diagram below calls out important features of the Wall Mount Patch Panel.



### Installation

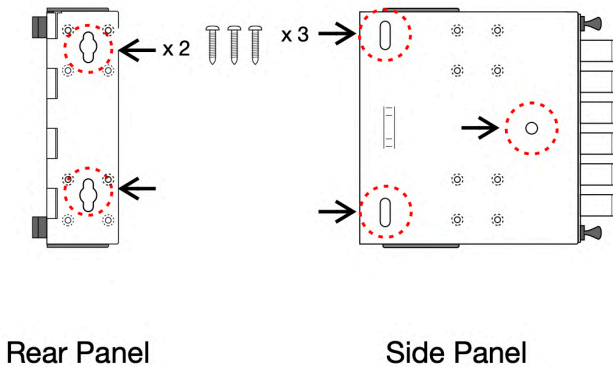
Choose a suitable location, with room for the door to open fully for easy access to the interior. Pre-position the patch panel to plan out cable routings and check for any potential problems with the location. The patch panel may be mounted in any orientation making it a flexible solution in the field.

### USER GUIDE

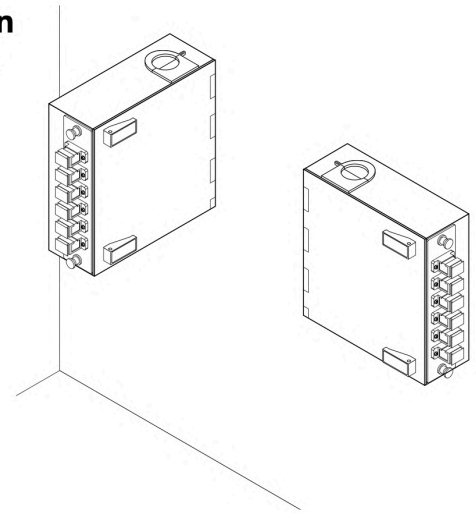
### Installation (cont'd)

#### Wall Mounting

Once the position is determined, mark out the mounting points and use the included 3/4" screws to mount the patch panel. For all other mounting applications, use appropriate mounting hardware as required.



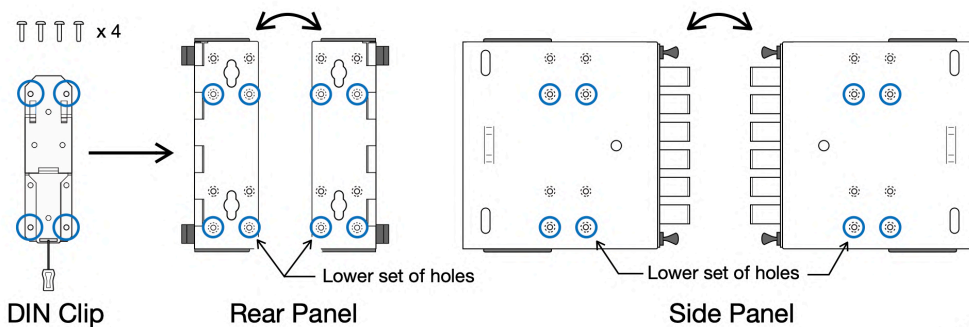
#### Installation Examples



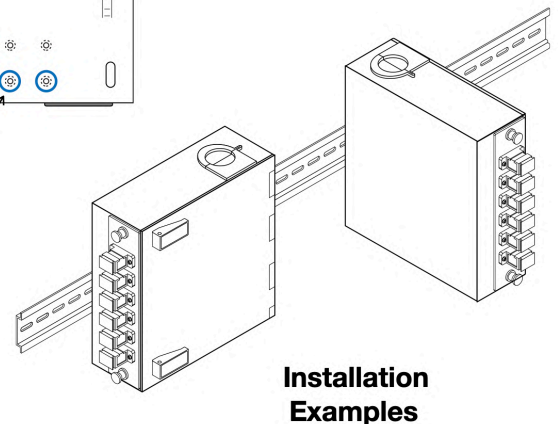
#### Wall Mounting Hole Locations

#### DIN Rail Mounting

The patch panel may be configured for DIN rail mounting facing right or left, using a rear or side DIN rail installation. Attach the DIN Clip using the screws provided onto the lower set of holes for your desired orientation. This will center the patch panel when mounted on the DIN rail.



#### DIN Clip Mounting Hole Locations



#### Installation Examples

### USER GUIDE

### Ordering Information

Use the following part number when ordering the patch panel without fiber adapter plates or pigtails.

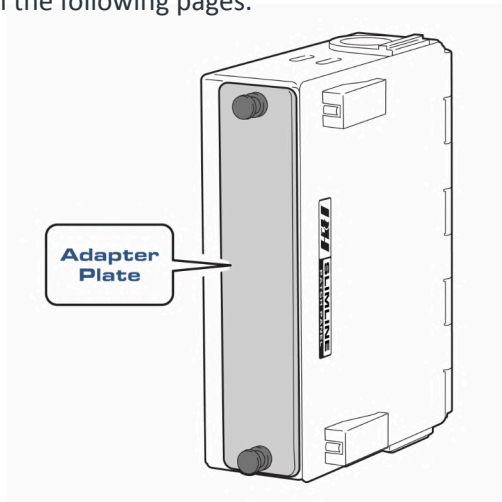
Description	Mounting	Capacity	Dimensions	Part Number
Nano Slimline Fiber Patch Panel	Wall	1 Adapter Plate	4.0" (W) x 1.6" (D) x 5.3" (H)	PWSN-A-1
Nano Slimline Fiber Patch Panel	DIN Rail	1 Adapter Plate	4.0" (W) x 1.6" (D) x 5.3" (H)	PWSN-A-1-D

- Fiber adapter plates and/or pigtails can be ordered separately; plates can be preinstalled, while pigtails will be bundled

Description	Part Number
DIN Rail Mounting Kit	DIN-CLIP30

### Ordering with Fiber Adapter Plate, Pigtail, and DIN Clip

Use the ordering code below to order the patch panel with any combination of a preinstalled adapter plate, bundled fiber pigtail, and preinstalled DIN clip. Refer to the Fiber Adapter Plate Chart and the Fiber Pigtail Chart on the following pages.



Example #1:	<b>PWSN - A - 66 - 65 - 1</b>	
Adapter Plate (66):	AP-LC3-LDMX-G	
Fiber Pigtail (65):	RLH-06MXLC-03M	
Din Clip (Blank):	None	
Example #2:	<b>PWSN - A - 08 - 00 - 1 - D</b>	
Adapter Plate (08):	AP-ST12-LSMM-G	
Fiber Pigtail (00):	None	
Din Clip (-D):	DIN-CLIP30	

PWSN - A - **XX** - **XX** - 1 - **X**

#### Fiber Adapter Plate

Use the code from the Adapter Plate Chart\* to populate with an adapter plate

#### Fiber Pigtail

Use the code from the Fiber Pigtail Chart\* to have a pigtail bundled together with the patch panel

#### DIN Clip

Add "-D" to include preinstalled DIN Clip

\*Please refer to the **Fiber Adapter Plate Chart** and the **Fiber Pigtail Chart** on the following pages.

**Ordering Information (cont'd)**

**Adapter Plate Chart**

Use the Adapter Code to specify the desired plate style to be preinstalled.

Adapter	Mode	Adapter Plate Style				Supported Fiber Types	Grey Plate Part Number	Adapter Code
		Type	Fibers	Positions	Color			
Blank	-	-	-	-	-	-	AP-BLANK-G	00
ST	SM	Simplex	6	6	Yellow Caps	OS1/OS2	AP-ST6-LSSM-G	01
			12	12	Yellow Caps	OS1/OS2	AP-ST12-LSSM-G	03
	MM	Simplex	6	6	Black Caps	OM1~OM4	AP-ST6-LSMM-G	06
			12	12	Black Caps	OM1~OM4	AP-ST12-LSMM-G	08
FC	SM	Simplex	6	6	Yellow Caps	OS1/OS2	AP-FC6-LSSM-G	20
	MM	Simplex	6	6	Black Caps	OM1/OM2	AP-FC6-LSMM-G	23
FC/APC	SM	Simplex	6	6	Green Caps	OS1/OS2	AP-FA6-LSSM-G	26
SC	SM	Simplex	6	6	■ blue	OS1/OS2	AP-SC6-LSSM-G	30
		Duplex	12	6	■ blue	OS1/OS2	AP-SC6-LDSM-G	32
	MM	Simplex	6	6	■ beige	OM1/OM2	AP-SC6-LSMM-G	33
		Duplex	12	6	■ beige	OM1/OM2	AP-SC6-LDMM-G	35
SC/APC	SM	Simplex	6	6	■ green	OS1/OS2	AP-SA6-LSSM-G	36
		Duplex	12	6	■ green	OS1/OS2	AP-SA6-LDSM-G	38
SC 10G	MM	Simplex	6	6	■ aqua	OM3/OM4	AP-SC6-LSMX-G	39
		Duplex	12	6	■ aqua	OM3/OM4	AP-SC6-LDMX-G	41
LC	SM	Duplex	6	3	■ blue	OS1/OS2	AP-LC3-LDSM-G	51
			12	6	■ blue	OS1/OS2	AP-LC6-LDSM-G	52
			24	6	■ blue	OS1/OS2	AP-LC6-LQSM-G	54
	MM	Duplex	6	3	■ beige	OM1/OM2	AP-LC3-LDMM-G	56
			12	6	■ beige	OM1/OM2	AP-LC6-LDMM-G	57
			24	6	■ beige	OM1/OM2	AP-LC6-LQMM-G	59
LC/APC	SM	Duplex	6	3	■ green	OS1/OS2	AP-LA3-LDSM-G	61
			12	6	■ green	OS1/OS2	AP-LA6-LDSM-G	62
			24	6	■ green	OS1/OS2	AP-LA6-LQSM-G	64
LC 10 GIG	MM	Duplex	6	3	■ aqua	OM3/OM4	AP-LC3-LDMX-G	66
			12	6	■ aqua	OM3/OM4	AP-LC6-LDMX-G	67
			24	6	■ aqua	OM3/OM4	AP-LC6-LQMX-G	69
CAT6 RJ-45	-	Coupler	-	4	-	-	AP-RJCAT6-CP4-G	90
		Punchdown	-	4	-	-	AP-RJCAT6-PD4-G	91

**Ordering Information (cont'd)**

**Fiber Pigtail Chart**

Use the Pigtail Code to specify the desired 900µm Spiral Wrap Splice-on Fiber Pigtail to be included.

900µm Spiral Wrap Splice-on Pigtail				Part Number	Pigtail Code		
Adapter	Mode	Fibers	Fiber Type				
N/A	N/A	N/A	N/A	NONE	00		
ST	SM	6	OS1/OS2	RLH-06SMST-03M	01		
		12	OS1/OS2	RLH-12SMST-03M	02		
	MM	6		OM1	RLH-06MMST-03M	06	
				OM2	RLH-06M5ST-03M	07	
				OM3	RLH-06MXST-03M	08	
				OM4	RLH-06MCST-03M	09	
		12		OM1	RLH-12MMST-03M	12	
				OM2	RLH-12M5ST-03M	13	
				OM3	RLH-12MXST-03M	14	
				OM4	RLH-12MCST-03M	15	
	FC	SM	6	OS1/OS2	RLH-06SMFC-03M	20	
			12	OS1/OS2	RLH-12SMFC-03M	21	
MM		6		OM1	RLH-06MMFC-03M	23	
				OM2	RLH-06M5FC-03M	24	
				OM3	RLH-06MXFC-03M	25	
				OM4	RLH-06MCFC-03M	26	
		12		OM1	RLH-12MMFC-03M	28	
				OM2	RLH-12M5FC-03M	29	
				OM3	RLH-12MXFC-03M	30	
				OM4	RLH-12MCFC-03M	31	
FC/APC		SM	6	OS1/OS2	RLH-06SMFA-03M	33	
			12	OS1/OS2	RLH-12SMFA-03M	34	
SC	SM	6	OS1/OS2	RLH-06SMSC-03M	40		
		12	OS1/OS2	RLH-12SMSC-03M	41		
	MM	6		OM1	RLH-06MMSC-03M	43	
				OM2	RLH-06M5SC-03M	44	
				OM3	RLH-06MXSC-03M	45	
				OM4	RLH-06MCSC-03M	46	
		12		OM1	RLH-12MMSC-03M	48	
				OM2	RLH-12M5SC-03M	49	
				OM3	RLH-12MXSC-03M	50	
				OM4	RLH-12MCSC-03M	51	
	SC/APC	SM	6	OS1/OS2	RLH-06SMSA-03M	53	
			12	OS1/OS2	RLH-12SMSA-03M	54	
LC	SM	6	OS1/OS2	RLH-06SMLC-03M	60		
		12	OS1/OS2	RLH-12SMLC-03M	61		
		24	OS1/OS2	RLH-12SMLC-03M (2)	62		
	6		OM1	RLH-06MMLC-03M	63		
			OM2	RLH-06M5LC-03M	64		
			OM3	RLH-06MXLC-03M	65		
			OM4	RLH-06MCLC-03M	66		
		12		OM1	RLH-12MMLC-03M	68	
				OM2	RLH-12M5LC-03M	69	
			OM3	RLH-12MXLC-03M	70		
			OM4	RLH-12MCLC-03M	71		
	24			OM1	RLH-12MMLC-03M (2)	73	
				OM2	RLH-12M5LC-03M (2)	74	
			OM3	RLH-12MXLC-03M (2)	75		
			OM4	RLH-12MCLC-03M (2)	76		
		LC/APC	SM	6	OS1/OS2	RLH-06SMLA-03M	78
				12	OS1/OS2	RLH-12SMLA-03M	79
	24			OS1/OS2	RLH-12SMLA-03M (2)	80	

## USER GUIDE

[www.fiberopticlink.com](http://www.fiberopticlink.com)

### Key Specifications

<b>Adapter Plates:</b>	Holds 1 LGX® plate Up to 12 Fibers each plate *Ordered Separately			
<b>Adapter Plates:</b>	ST	Simplex	LC	Simplex, Duplex, Quad
	SC	Simplex, Duplex	MTRJ	Simplex
	SC/APC	Simplex, Duplex	FC	Simplex
<b>Mounting Style:</b>	Wall and DIN rail (DIN rail kit ordered separately or may be ordered preinstalled)			
<b>Environmental:</b>	Suitable for use indoors or within a weatherproof enclosure			
<b>Construction:</b>	Powder coated steel, hinged door and plunger latches			
<b>Accessory Kit:</b>	Qty. 1 - 12 Position Adhesive Splice Holder Qty. 15 – Splice Sleeves Qty. 2 – Hook and Loop Velcro® wire management strap with adhesive base Qty. 3 – Cable ties Qty. 1 – Distribution chart label Qty. 3 – #10 x 3/4" Mounting screws and washers			
<b>Dimensions:</b>	4.0" (W) x 1.6" (D) x 5.3" (H), (102mm x 41mm x 135mm)			
<b>Compliance:</b>	UL Listed, RoHS			

### Contact

By Mail:	Att: Sales RLH Industries, Inc. 936 N. Main St. Orange, CA 92867		
By Phone:	Local	714-532-1672	
Sales / Service	Toll Free	800-877-1672	
Mon - Fri, 6am - 6pm, PST		866-DO-FIBER	
By Email:	info@fiberopticlink.com		
By FAX:	714-532-1885		

### Tech Support

By Email:	support@fiberopticlink.com		
By Phone:	Toll Free	855-754-2497	
		855-RLH-24X7	