

4

3

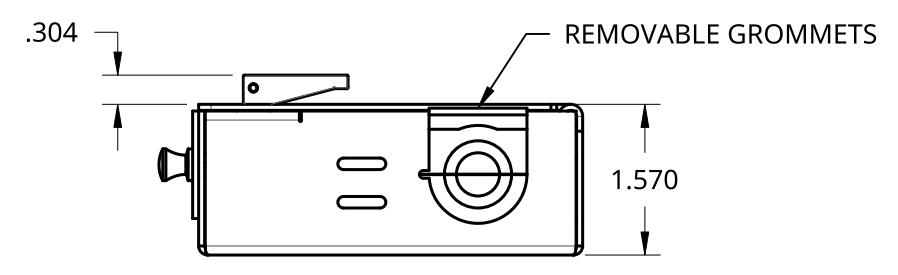
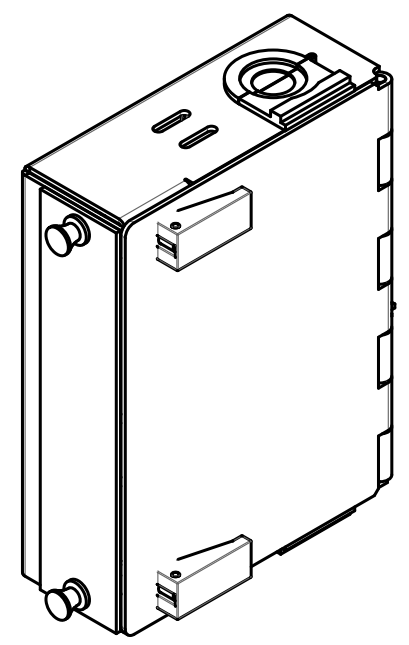
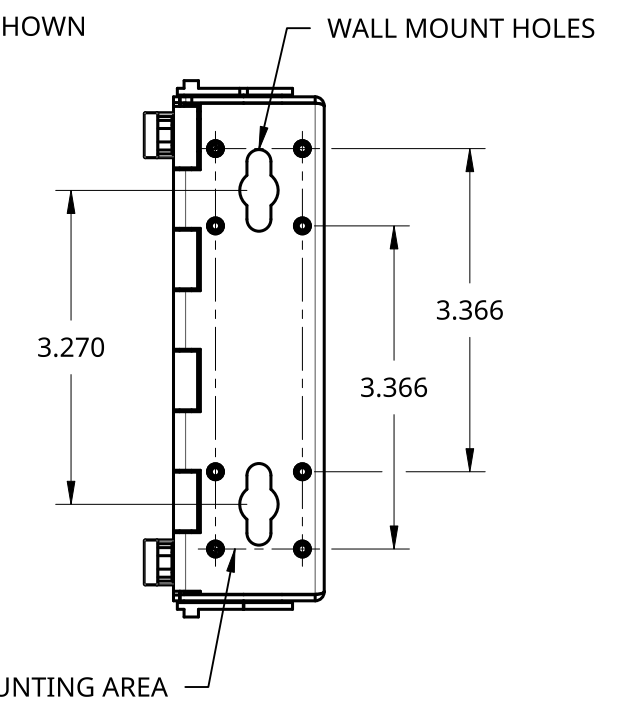
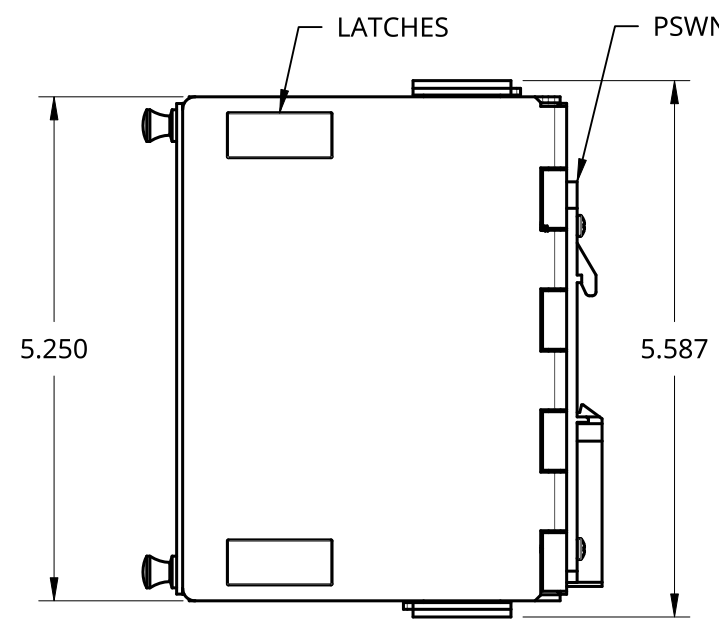
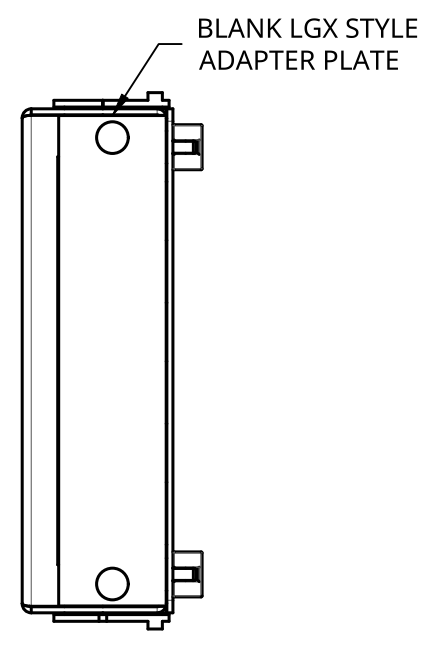
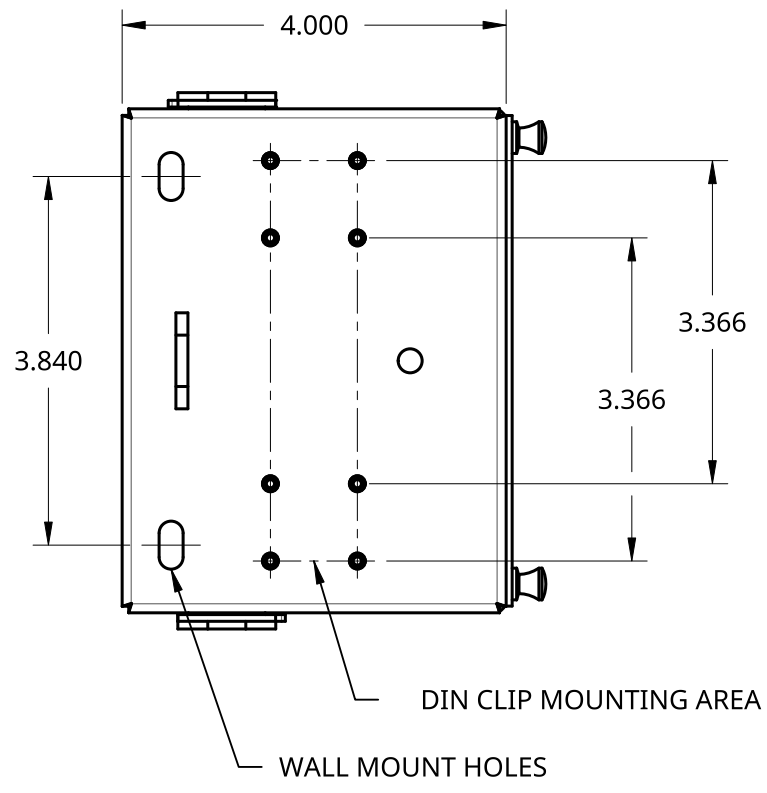
2

1

**NOTES: UNLESS OTHERWISE SPECIFIED**

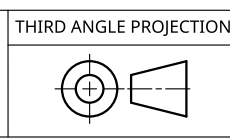
- 1. BLANK ADAPTER PLATES ARE NOT INCLUDED WHEN ORDERED WITH ALTERNATE ADAPTER PLATES PRE-INSTALLED.
- 2. DIN RAIL CLIP IS INCLUDED ONLY ON PWSN-A-1-D MODEL.
- 3. DIN RAIL CLIP MAY BE MOUNTED ON END OR BACK SIDE, IN AN ORIENTATION AS NEEDED.
- 4. HOUSING IS CONSTRUCTED OF POWDER COATED STEEL.

REV	Zone	DESCRIPTION	DATE	APPROVED
A		INITIAL RELEASE	09/25/202	KN
B		WEIGHT SPEC ADDED TO TITLE BLOCK	11/12/2024	KG
C		DRAWING LAYOUT UPDATED	12/11/2024	KG



TITLE <b>1 PLATE SLIMLINE NANO PATCH PANEL</b>			
SIZE <b>B</b>	DWG NO. <b>PWSN-A-1/PWSN-A-1-D</b>	REV. <b>C</b>	
SCALE 1:2	WEIGHT 1.5 LBS./0.7 KG	SHEET 1 of 1	

**RLH** *RLH Industries, Inc.* **FIBEROPTICLINK**



4

3

2

1

D

C

B

A

D

C

B

A