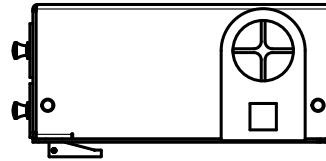
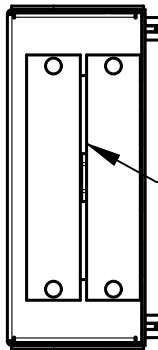


2

1



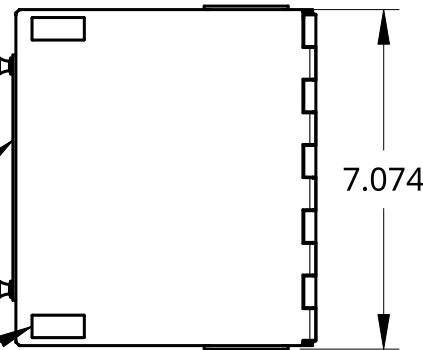
TOP VIEW



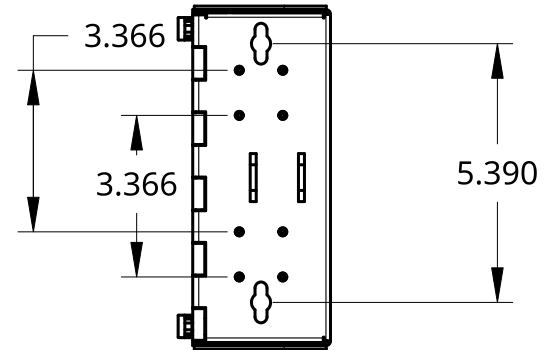
LEFT VIEW

Blank
Adapter Plates

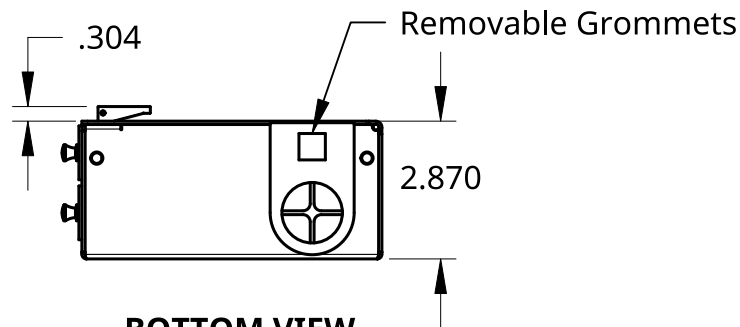
Latches



FRONT VIEW



RIGHT VIEW



BOTTOM VIEW

Removable Grommets

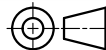
UNLESS OTHERWISE SPECIFIED,
DIMENSIONS ARE IN INCHES.XX = ±.0-
.XXX = ±.00-
.XXXX = ±.000-
ANGULAR = ± °
FRACTIONAL = ±

SURFACE FINISH ✓

DO NOT SCALE DRAWING

BREAK ALL SHARP EDGES AND
REMOVE BURRS

THIRD ANGLE PROJECTION



NAME

DATE

DRAWN

Kevin Nguyen

09/25/2020

CHECKED

APPROVED



FIBEROPTICLINK

TITLE

2 Plate Slimline Patch Panel
Housing

SIZE

DWG NO.

PWS2-A-1

REV.

SCALE 1:4

WEIGHT

SHEET

1 of 2

2

1

B

B

A

A

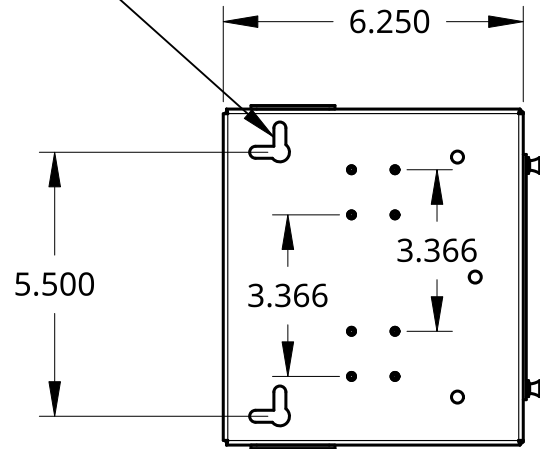
2

1

B

B

Key Holes



BACK VIEW

A

A

2

1

DWG NO.	PWS2-A-1	SIZE	A	SCALE	1:4	SHEET	2 of 2	REV.	
---------	----------	------	---	-------	-----	-------	--------	------	--