

DATA SHEET

Semi-Buried Pedestal (Type-03)

Semi-Buried Pedestal Enclosure

RLH Semi-Buried Pedestal enclosures, include a plywood backboard, lockable covers with hex head self-locking system and padlock hasp. The pedestal stands approx. 36" tall when the base is buried. No mounting stakes or platforms are required for installation.

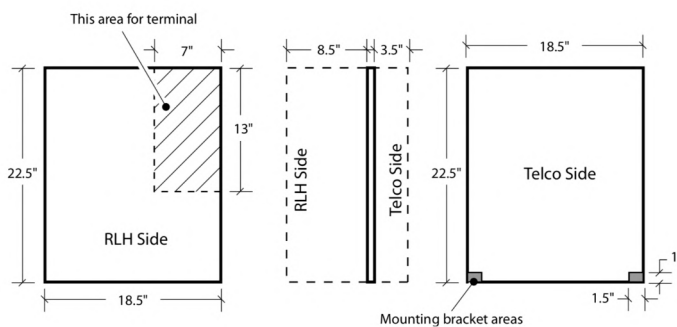
These Type-03 pedestals have enough space to install a 12-Card Fiber Optic Link housing. Pedestals are constructed of all-dielectric plastic with a steel support frame.

RLH offers standard Fiber Optic Link configurations pre-installed into enclosures. These Telco Interface Units allow for faster and more uniform field installations (see Ordering section).

Key Features

- All-dielectric plastic construction
- Internal steel frame
- Fire treated and painted 3/4" plywood backboard
- Self-locking cover with hex head release
- Padlock locking hasp
- Oversize interlocking base for solid foundation
- Heat dissipation vents for sensitive equipment
- Base can accommodate up to ten 4" conduits
- Removable cover permits 360° access to equipment
- Available in 5-, 8-, or 12-Card configurations
- Available with gas tube terminal protection
- Made in USA

Backboard Mounting Dimensions



Semi-Buried Pedestal (Type-03)



Backboard Front

DATA SHEET

www.fiberopticlink.com

Ordering Information

Description	Housing	Part Number
H48" x W20" x L14" with 3/4" Fire Retardant Plywood Backboard	Empty Backboard	8806-1285-03
H48" x W20" x L14" with 3/4" Fire Retardant Plywood Backboard with 5 Card Housing	8806-1231-03	8806-1409-03NT
H48" x W20" x L14" with 3/4" Fire Retardant Plywood Backboard with 8 Card Housing	8806-1229-03	8806-1406-03NT
H48" x W20" x L14" with 3/4" Fire Retardant Plywood Backboard with 12 Card Housing	8806-1230-03	8806-1408-03NT

Key Specifications

Construction:	All-dielectric molded plastic with metal backboard frame
Mounting Style:	Semi-buried, approx. 36" above grade
Size:	(Unburied) H48" x W20" x L14"
Included:	Integrated ground bar, pre-wired copper terminal on Telco Interface Units
Options:	2-Card Fiber Optic Link housing, 5-, 8-, or 12-Card Fiber Optic Link shelf, Gas Tube Protection

Contact

By Mail: Att: Sales
RLH Industries, Inc.
936 N. Main St.
Orange, CA 92867

By Phone: Local 714-532-1672
Sales / Service
Mon - Fri, 6am - 6pm, PST
Toll Free 800-877-1672
866-DO-FIBER

By Email: info@fiberopticlink.com

By FAX: 714-532-1885

Tech Support

By Email: support@fiberopticlink.com

By Phone: Toll Free 855-754-2497
855-RLH-24X7