



Scorpion 4 Plate Fiber Patch Panel

Wall Mount, Small Footprint, Splicing and Patching up to 96 Fibers

The RLH Scorpion 4 Plate Fiber Patch Panel is designed for fiber optic patching and splicing applications where wall or back board space is at a premium. It is designed to fit into small enclosures, the small footprint and door design allow the patch panel to be opened & closed without taking up additional backboard room for clearance.

The fiber patch panel has a large wrap around door for easy access, which is secured with flip latches. A built-in padlock hasp provides additional security if desired. It comes standard with fiber management spools, distribution chart, cable mounting tiedowns, and Velcro® straps for securing fiber cable. Self-sealing removable 1-1/4" grommets on the top and bottom of the enclosure, together with fiber strength member clamps, allow for safe entrance and exit of fiber optic cable. Wall mounting hardware is also included.

Adapter plates may be ordered separately or preinstalled and are available with ST, SC, FC, LC, MTRJ, UPC and APC style adapters. When ordered using our configuration matrix, the Adapter Plates are preinstalled, and the Splice on Fiber Pigtails are bundled with the patch panel for convenience.

Key Features

- Holds up to 96 fibers using 4 LGX® adapter plates
- Small Footprint, Fully encloses distribution fiber
- Self-sealing grommets (up to 1-1/4") on the top and bottom
- Hinged door with flip latches
- Includes 2 strength member clamps for securing entry cable
- Adapter plates may be removed with fibers attached
- Includes Velcro for easy and flexible fiber management
- Durable powder coated steel construction
- Multiple built in anchor points to secure fiber cable inside
- Splice trays and sleeves ordered separately
- Holds ST, SC, FC, LC, MTRJ, UPC, APC style adapters
- Wall mounting hardware, cable ties, & distribution chart included
- Made in USA



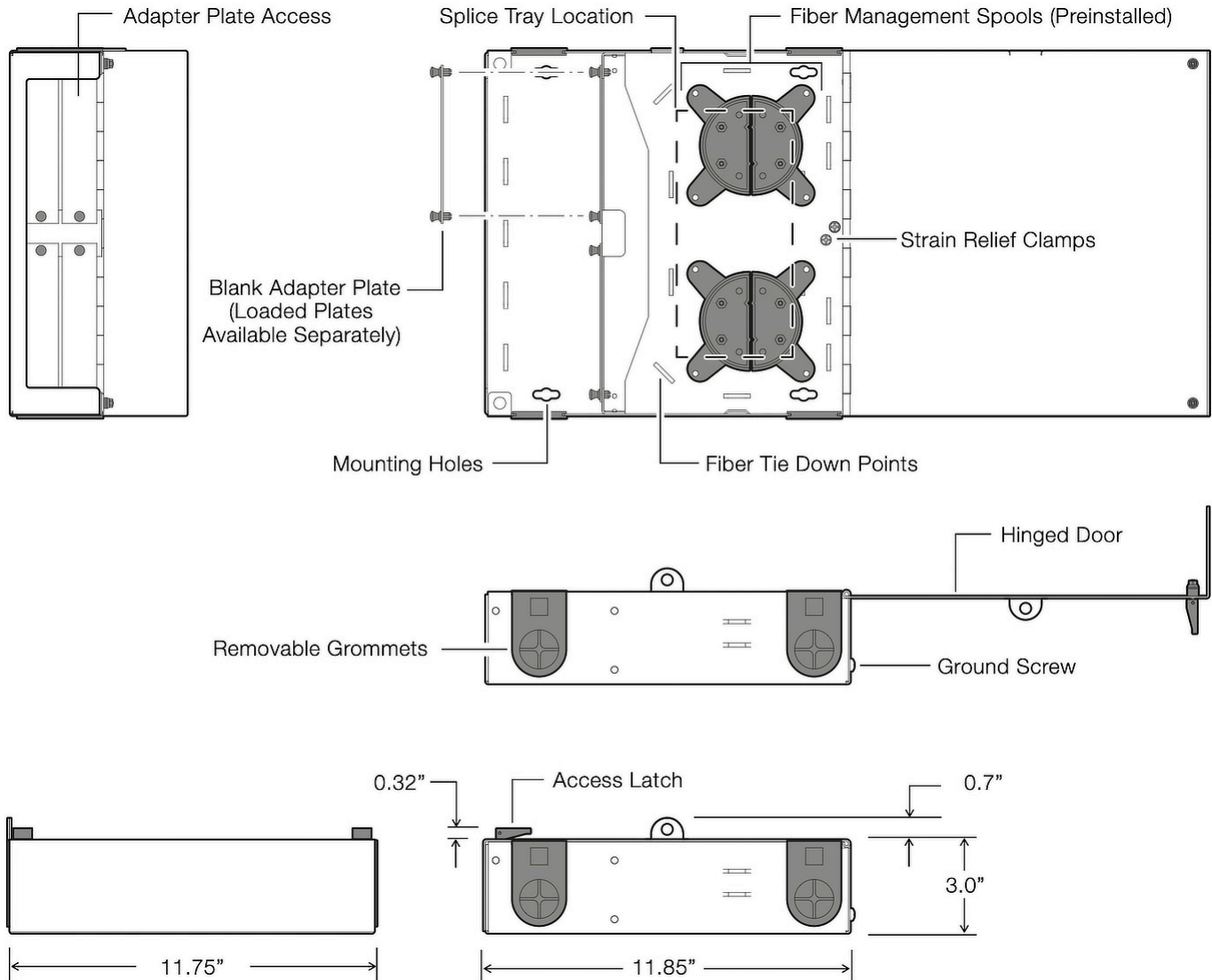
Scorpion 4 Plate Fiber Patch Panel



Accessory Kit

Dimensions & Components

The dimensional diagram below calls out important features of the Wall Mount Patch Panel.



Installation

Choose a suitable location, with room for the door to open fully for easy access to the interior. Pre-position the patch panel to plan out cable routings and check for any potential problems with the location. The patch panel may be mounted in any orientation making it a flexible solution in the field.

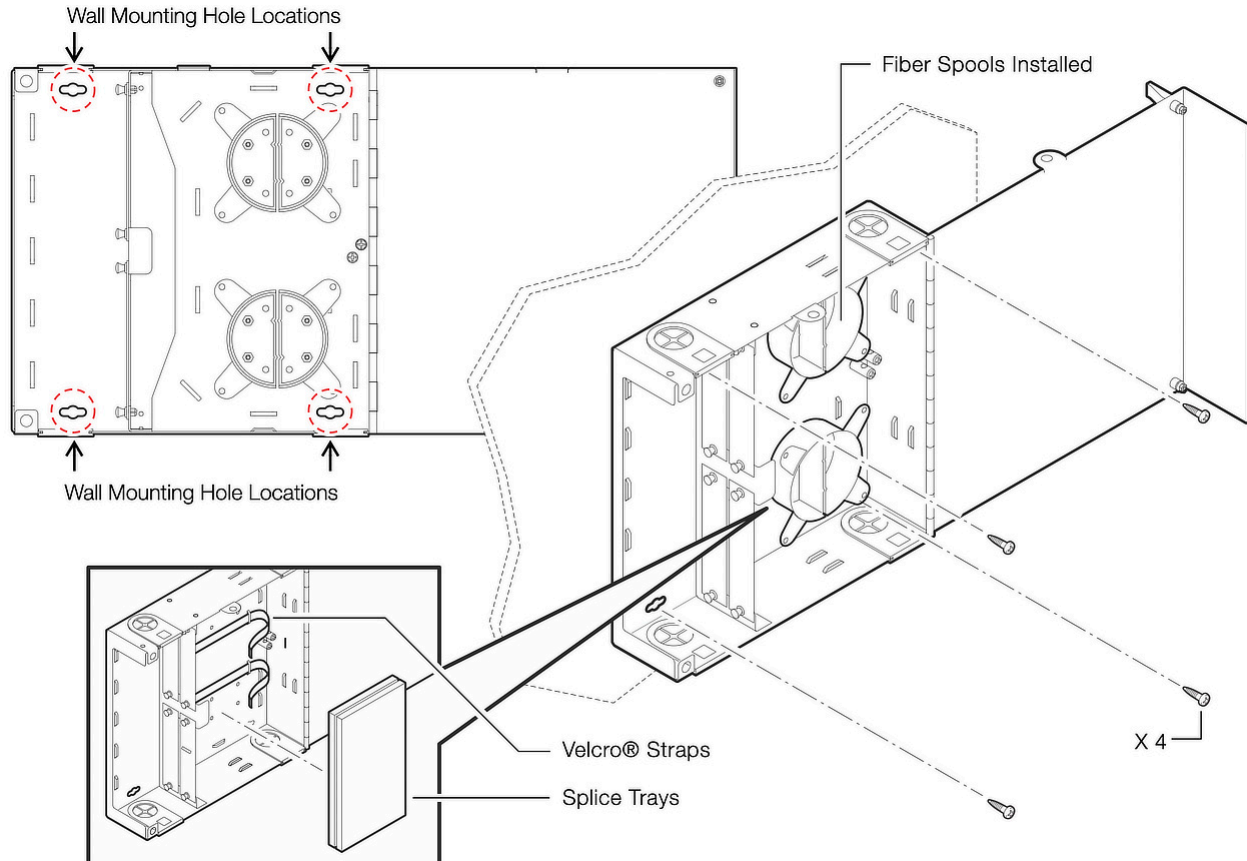
Before Installing

Fiber management spools are preinstalled for accommodating fiber cable when used as a patching solution, optional splice trays are sold separately for splicing configurations. To use the optional splice trays, remove the fiber management spools by loosening the attaching hardware before mounting. Once the spools are removed, the patch panel may be wall mounted. Then to secure the splice trays in position use the (2) Velcro straps included in the accessory kit.

Wall Mounting

Choose a suitable location, with room for the door to open fully for easy access to the interior. Pre-position the patch panel to plan out cable routings and check for any potential problems with the location. The patch panel may be mounted in any orientation making it a flexible solution in the field.

Once the position is determined, mark out the mounting points and use the included hardware to mount the patch panel when mounting to wood surfaces. For all other mounting applications, use the appropriate mounting hardware as required.



Ordering Information

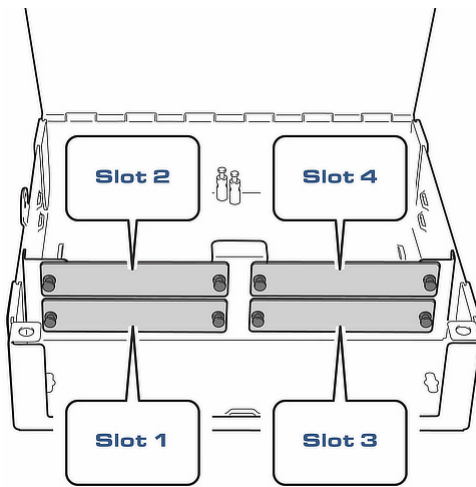
Use the following part number when ordering the patch panel without fiber adapter plates or pigtailed.

Description	Capacity	Dimensions	Part Number
4 Plate Wall Mount Patch Panel	4 Adapter Plates	11.8" (W) x 3.7" (D) x 11.75" (H)	SCORP4-1

- Fiber adapter plates and/or pigtailed can be ordered separately; plates can be preinstalled, while pigtailed will be bundled

Ordering with Fiber Adapter Plates, Fiber Pigtailed and Splice Trays

Use the ordering code below to order the patch panel with any combination of a preinstalled adapter plates, fiber pigtailed and splice trays. Refer to the Fiber Adapter Plate Chart and Fiber Pigtail Chart on the following pages.



Example #1: **S4-32-32-32-32-41-41-41-41-4-1**

Slot 1 (32):	AP-SC6-LDSM-G
Slot 2 (32):	AP-SC6-LDSM-G
Slot 3 (32):	AP-SC6-LDSM-G
Slot 4 (32):	AP-SC6-LDSM-G
Slot 1 (41):	RLH-12SMSC-03M
Slot 2 (41):	RLH-12SMSC-03M
Slot 3 (41):	RLH-12SMSC-03M
Slot 4 (41):	RLH-12SMSC-03M
Splice Trays (4):	RLH-FST-04



Fiber Adapter Plates

Use the code from the Adapter Plate Chart* to populate slots with adapter plates preinstalled

Fiber Pigtailed

Use the code from the Fiber Pigtail Chart* to have them bundled together with the patch panel

Splice Trays

Enter the quantity of 12-fiber splice trays required (0 to 4) – PN: *RLH-FST-04*

*Please refer to the **Fiber Adapter Plate Chart** and **Fiber Pigtail Chart** on the following pages



Ordering Information (cont'd)

Adapter Plate Chart

Use the Adapter Code to specify the desired plate style to be preinstalled.

Adapter Plate Style						Supported Fiber Types	Gray Plate Part Number	Adapter Code
Adapter	Mode	Type	Fibers	Positions	Color			
Blank	-	-	-	-	-	-	AP-BLANK-G	00
ST	SM	Simplex	6	6	Yellow Caps	OS1/OS2	AP-ST6-LSSM-G	01
			12	12	Yellow Caps	OS1/OS2	AP-ST12-LSSM-G	03
	MM	Simplex	6	6	Black Caps	OM1~OM4	AP-ST6-LSMM-G	06
			12	12	Black Caps	OM1~OM4	AP-ST12-LSMM-G	08
FC	SM	Simplex	6	6	Yellow Caps	OS1/OS2	AP-FC6-LSSM-G	20
	MM		6	6	Black Caps	OM1/OM2	AP-FC6-LSMM-G	23
FC/APC	SM	Simplex	6	6	Green Caps	OS1/OS2	AP-FA6-LSSM-G	26
SC	SM	Simplex	6	6	■ blue	OS1/OS2	AP-SC6-LSSM-G	30
	SM		6	3	■ blue	OS1/OS2	AP-SC3-LDSM-G	43
	SM	Duplex	12	6	■ blue	OS1/OS2	AP-SC6-LDSM-G	32
	MM	Simplex	6	6	■ beige	OM1/OM2	AP-SC6-LSMM-G	33
	MM		6	3	■ beige	OM1/OM2	AP-SC3-LDMM-G	44
	MM	Duplex	12	6	■ beige	OM1/OM2	AP-SC6-LDMM-G	35
SC/APC	SM	Simplex	6	6	■ green	OS1/OS2	AP-SA6-LSSM-G	36
	SM		6	3	■ green	OS1/OS2	AP-SA3-LSSM-G	45
	SM	Duplex	12	6	■ green	OS1/OS2	AP-SA6-LDSM-G	38
SC 10G	MM	Simplex	6	6	■ aqua	OM3/OM4	AP-SC6-LSMX-G	39
	MM		6	3	■ aqua	OM3/OM4	AP-SC3-LSMX-G	42
	MM	Duplex	12	6	■ aqua	OM3/OM4	AP-SC6-LDMX-G	41
LC	SM	Duplex	6	3	■ blue	OS1/OS2	AP-LC3-LDSM-G	51
			12	6	■ blue	OS1/OS2	AP-LC6-LDSM-G	52
		Quad	24	6	■ blue	OS1/OS2	AP-LC6-LQSM-G	54
	MM	Duplex	6	3	■ beige	OM1/OM2	AP-LC3-LDMM-G	56
			12	6	■ beige	OM1/OM2	AP-LC6-LDMM-G	57
Quad		24	6	■ beige	OM1/OM2	AP-LC6-LQMM-G	59	
LC/APC	SM	Duplex	6	3	■ green	OS1/OS2	AP-LA3-LDSM-G	61
			12	6	■ green	OS1/OS2	AP-LA6-LDSM-G	62
		Quad	24	6	■ green	OS1/OS2	AP-LA6-LQSM-G	64
LC 10G	MM	Duplex	6	3	■ aqua	OM3/OM4	AP-LC3-LDMX-G	66
			12	6	■ aqua	OM3/OM4	AP-LC6-LDMX-G	67
		Quad	24	6	■ aqua	OM3/OM4	AP-LC6-LQMX-G	69
Unshielded CAT6 RJ-45	-	Coupler	-	4	■ black	-	AP-RJCAT6-CP4-G	90
		Punchdown	-	4	■ black	-	AP-RJCAT6-PD4-G	91
		Coupler	-	6	■ black	-	AP-RJCAT6-CP6-G	92
Shielded CAT6 RJ-45	-	Coupler	-	4	■ Metallic	-	AP-RJCAT6S-CP4-G	94
		Punchdown	-	4	■ Metallic	-	AP-RJCAT6S-PD4-G	95
		Coupler	-	6	■ Metallic	-	AP-RJCAT6S-CP6-G	97
		Punchdown	-	6	■ Metallic	-	AP-RJCAT6S-PD6-G	98



Ordering Information (cont'd)

Fiber Pigtail Chart

Use the Pigtail Code to specify the desired 900µm Spiral Wrap Splice-on Fiber Pigtail to be included

900µm Spiral Wrap Splice-on Pigtail				Part Number	Pigtail Code			
Adapter	Mode	Fibers	Fiber Type					
N/A	N/A	N/A	N/A	NONE	00			
ST	SM	6	OS1/OS2	RLH-06SMST-03M	01			
		12	OS1/OS2	RLH-12SMST-03M	02			
	MM	6		OM1	RLH-06MMST-03M	06		
				OM2	RLH-06M5ST-03M	07		
				OM3	RLH-06MXST-03M	08		
				OM4	RLH-06MCST-03M	09		
		12		OM1	RLH-12MMST-03M	12		
				OM2	RLH-12M5ST-03M	13		
				OM3	RLH-12MXST-03M	14		
				OM4	RLH-12MCST-03M	15		
		FC	SM	6	OS1/OS2	RLH-06SMFC-03M	20	
				12	OS1/OS2	RLH-12SMFC-03M	21	
			MM	6		OM1	RLH-06MMFC-03M	23
						OM2	RLH-06M5FC-03M	24
	OM3				RLH-06MXFC-03M	25		
	OM4				RLH-06MCFC-03M	26		
12				OM1	RLH-12MMFC-03M	28		
				OM2	RLH-12M5FC-03M	29		
				OM3	RLH-12MXFC-03M	30		
				OM4	RLH-12MCFC-03M	31		
FC/APC	SM	6	OS1/OS2	RLH-06SMFA-03M	33			
		12	OS1/OS2	RLH-12SMFA-03M	34			
SC	SM	6	OS1/OS2	RLH-06SMSC-03M	40			
		12	OS1/OS2	RLH-12SMSC-03M	41			
	MM	6		OM1	RLH-06MMSC-03M	43		
				OM2	RLH-06M5SC-03M	44		
				OM3	RLH-06MXSC-03M	45		
				OM4	RLH-06MCSC-03M	46		
		12		OM1	RLH-12MMSC-03M	48		
				OM2	RLH-12M5SC-03M	49		
				OM3	RLH-12MXSC-03M	50		
				OM4	RLH-12MCSC-03M	51		
SC/APC	SM	6	OS1/OS2	RLH-06SMSA-03M	53			
		12	OS1/OS2	RLH-12SMSA-03M	54			
LC	SM	6	OS1/OS2	RLH-06SMLC-03M	60			
		12	OS1/OS2	RLH-12SMLC-03M	61			
		24	OS1/OS2	RLH-12SMLC-03M (2)	62			
	MM	6		OM1	RLH-06MMLC-03M	63		
				OM2	RLH-06M5LC-03M	64		
				OM3	RLH-06MXLC-03M	65		
				OM4	RLH-06MCLC-03M	66		
		12		OM1	RLH-12MMLC-03M	68		
				OM2	RLH-12M5LC-03M	69		
				OM3	RLH-12MXLC-03M	70		
				OM4	RLH-12MCLC-03M	71		
			24		OM1	RLH-12MMLC-03M (2)	73	
					OM2	RLH-12M5LC-03M (2)	74	
					OM3	RLH-12MXLC-03M (2)	75	
					OM4	RLH-12MCLC-03M (2)	76	
LC/APC	SM	6	OS1/OS2	RLH-06SMLA-03M	78			
		12	OS1/OS2	RLH-12SMLA-03M	79			
		24	OS1/OS2	RLH-12SMLA-03M (2)	80			



Key Specifications

Adapter Plates	Holds up to 4 LGX® plates Up to 96 Fibers (24 Fibers each plate)* <i>*Ordered Separately</i>
Mounting Style	Wall Mountable*
Environment	Indoor or inside weatherproof enclosure
Construction	Steel with hinged door, painted gray
Accessory Kit	Qty. 1 – 30" x 1/2" Velcro® straps for securing fiber
	Qty. 2 – 12" x 1/2" Velcro® straps for securing Splice Trays
	Qty. 10 – Cable ties
	Qty. 2 – Distribution chart labels
Dimensions	Qty. 4 – #10 x 3/4" Mounting screws and washers
	11.8" (W) x 3.7" (D) x 11.75" (H), (300mm x 94mm x 298mm)* <i>*Not including latches or grommets</i>

Contact

By Mail:	ATTN: Sales RLH Industries, Inc. 936 N. Main Street Orange, CA 92867	
By Phone:	Local	714-532-1672
Sales/Service	Toll Free	800-877-1672
By Email:	info@fiberopticlink.com	
By Fax:	714-532-1885	

Support

By Email:	support@fiberopticlink.com
By Phone:	Toll Free 855-754-2497

