

4

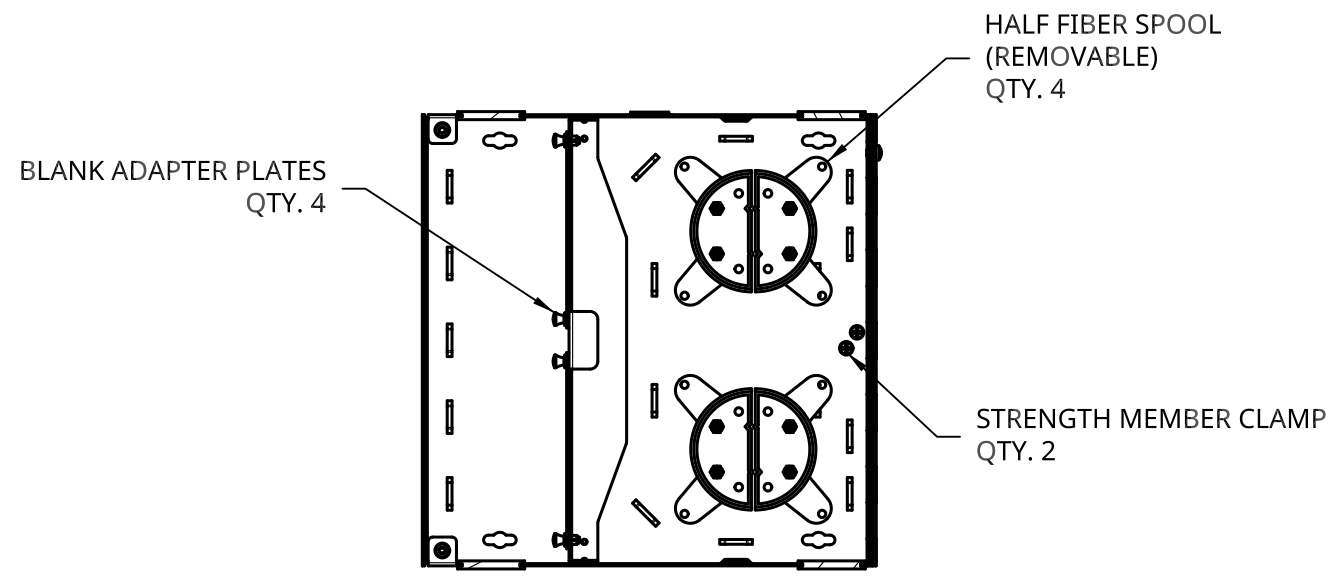
3

2

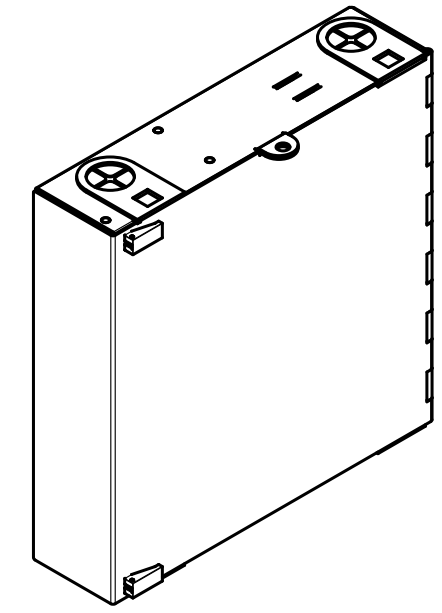
1

D

D

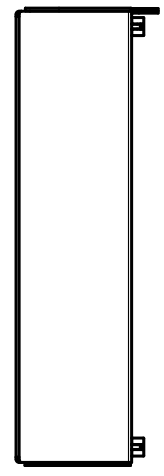


SECTION A - A

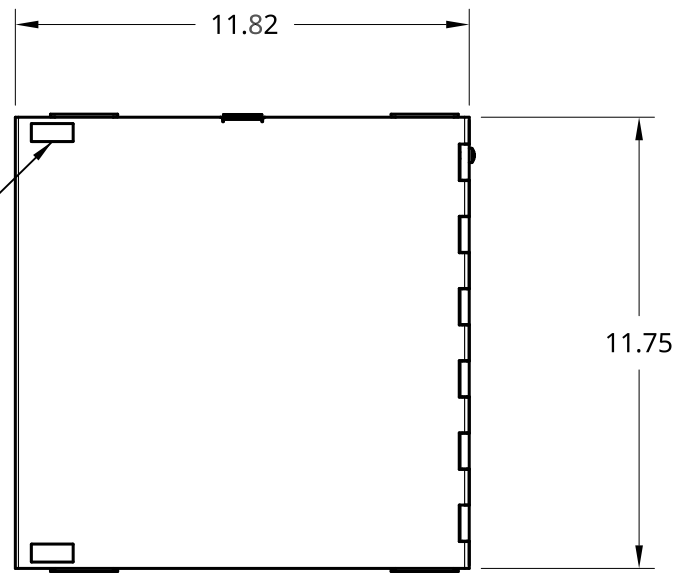


C

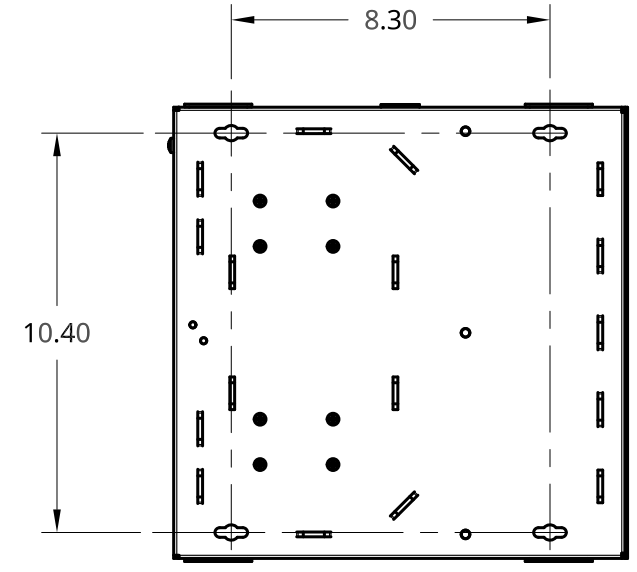
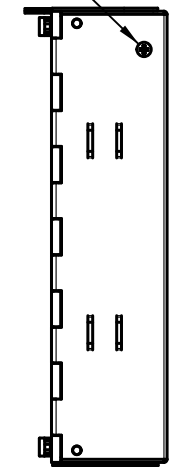
C



SWELL LATCH QTY. 2

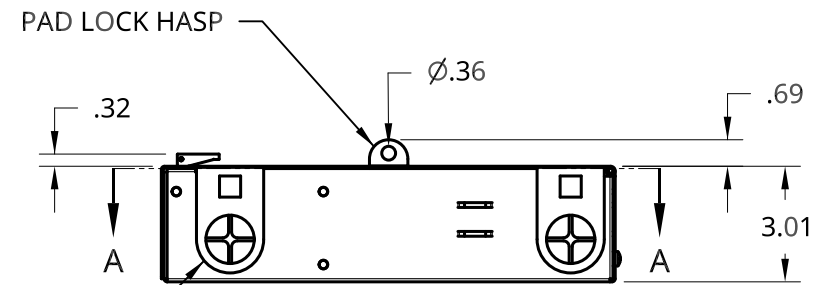


GROUND SCREW



B

B



REMOVABLE GROMMET QTY. 4

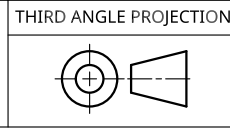
A

A

TITLE			
SCORPION 4 PLATE PATCH PANEL			
SIZE	DWG NO.	REV.	
B	SCORP4-1	A	
SCALE	DRAWN	SHEET	
1:5	DAVID HARRIS	1 of 1	



FIBEROPTICLINK



4

3

2

1