

4

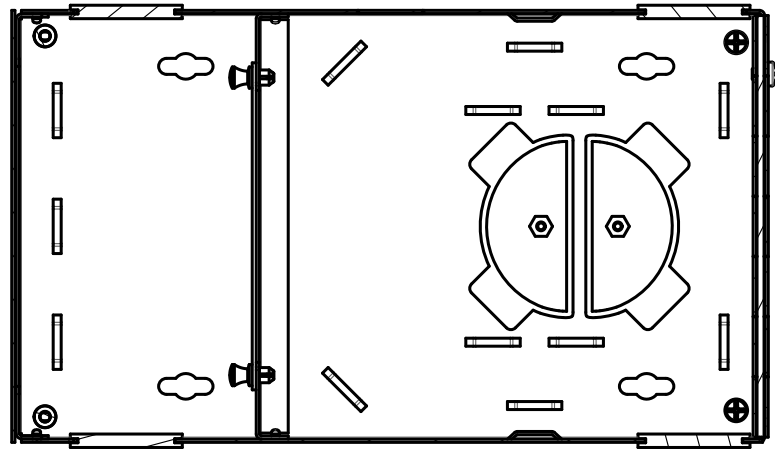
3

2

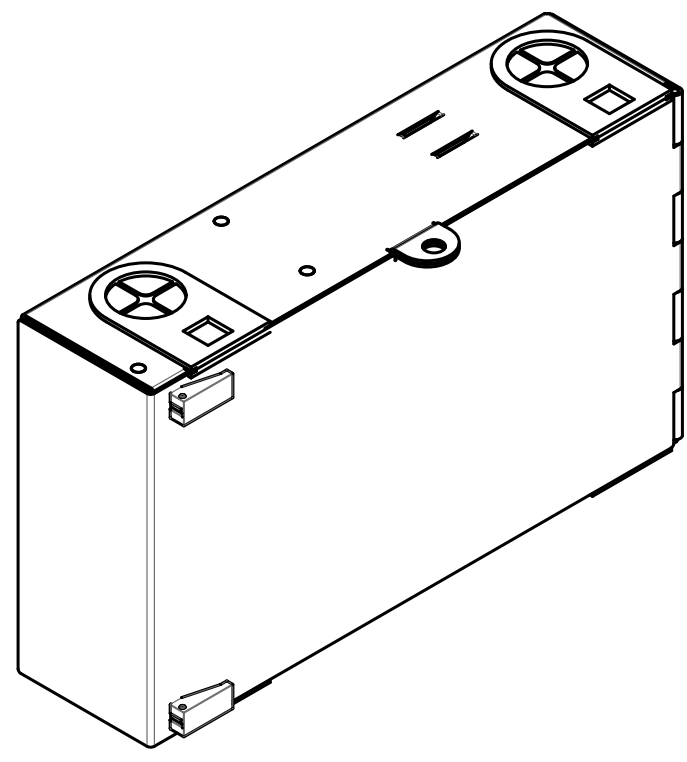
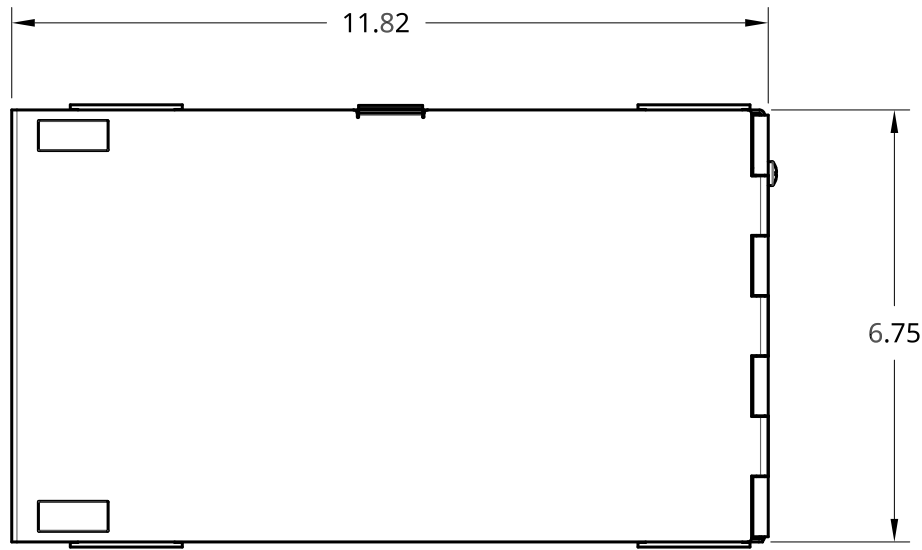
1

D

D



SECTION A - A

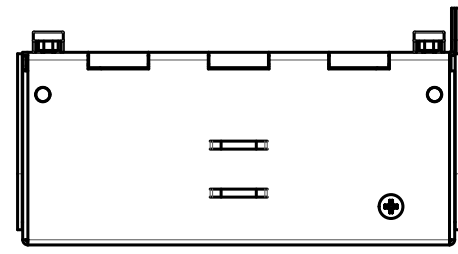
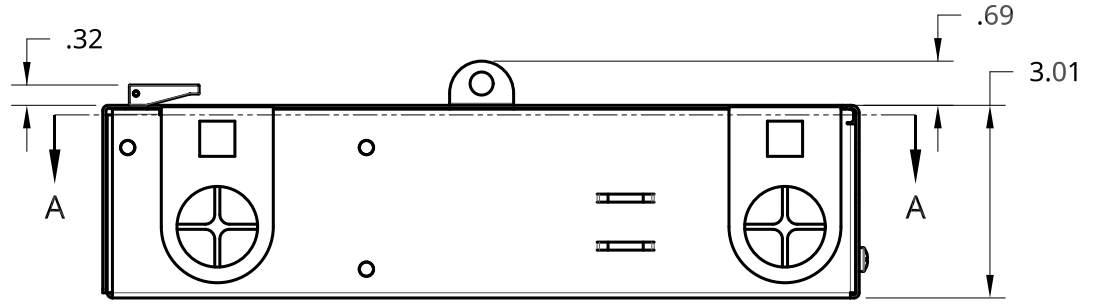


C

C

B

B



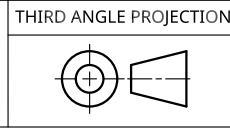
A

A

TITLE			
SCORPION 2 PLATE INDOOR PATCH PANEL			
SIZE	DWG NO.	REV.	
B	SCORP2-1	A	
SCALE	DRAWN	SHEET	
1:3	DAVID HARRIS	1 of 1	



FIBEROPTICLINK



4

3

2

1