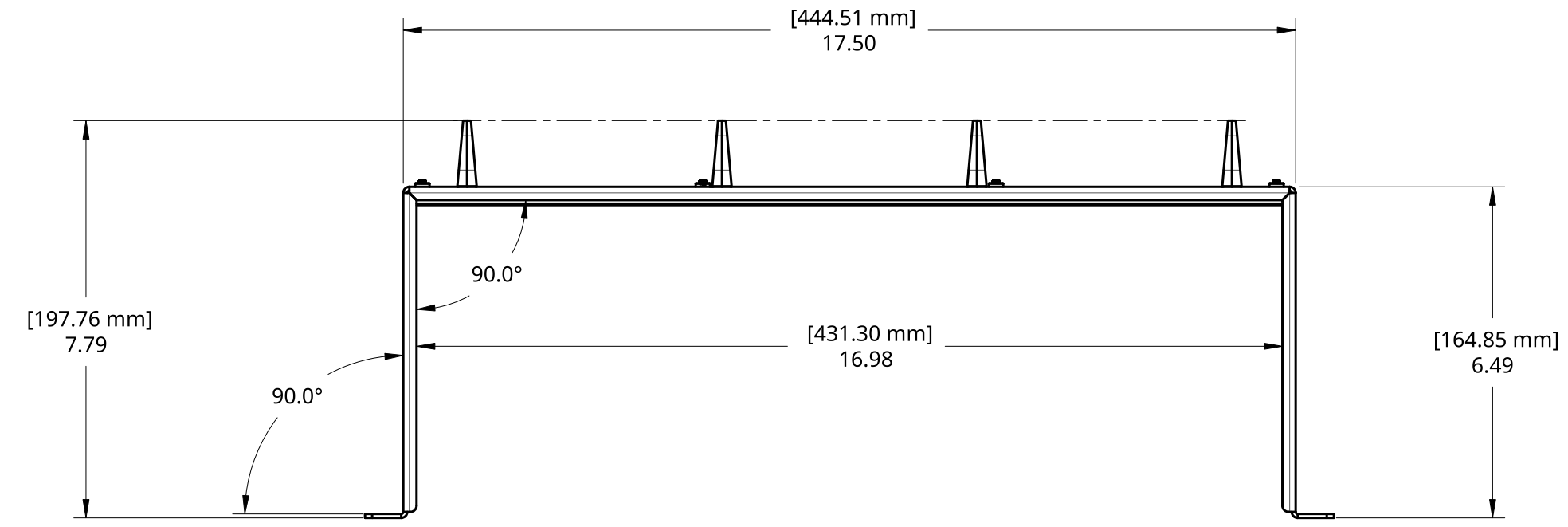


4

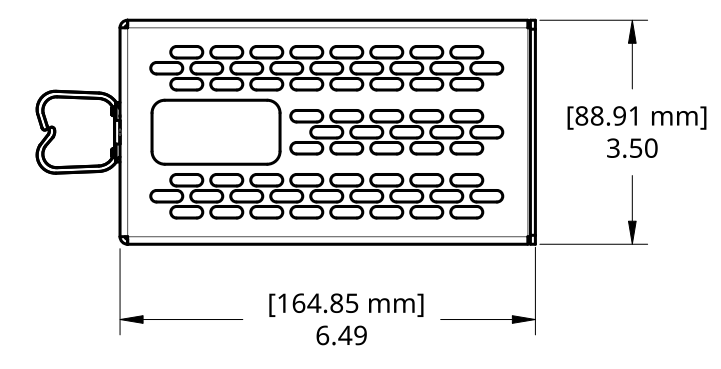
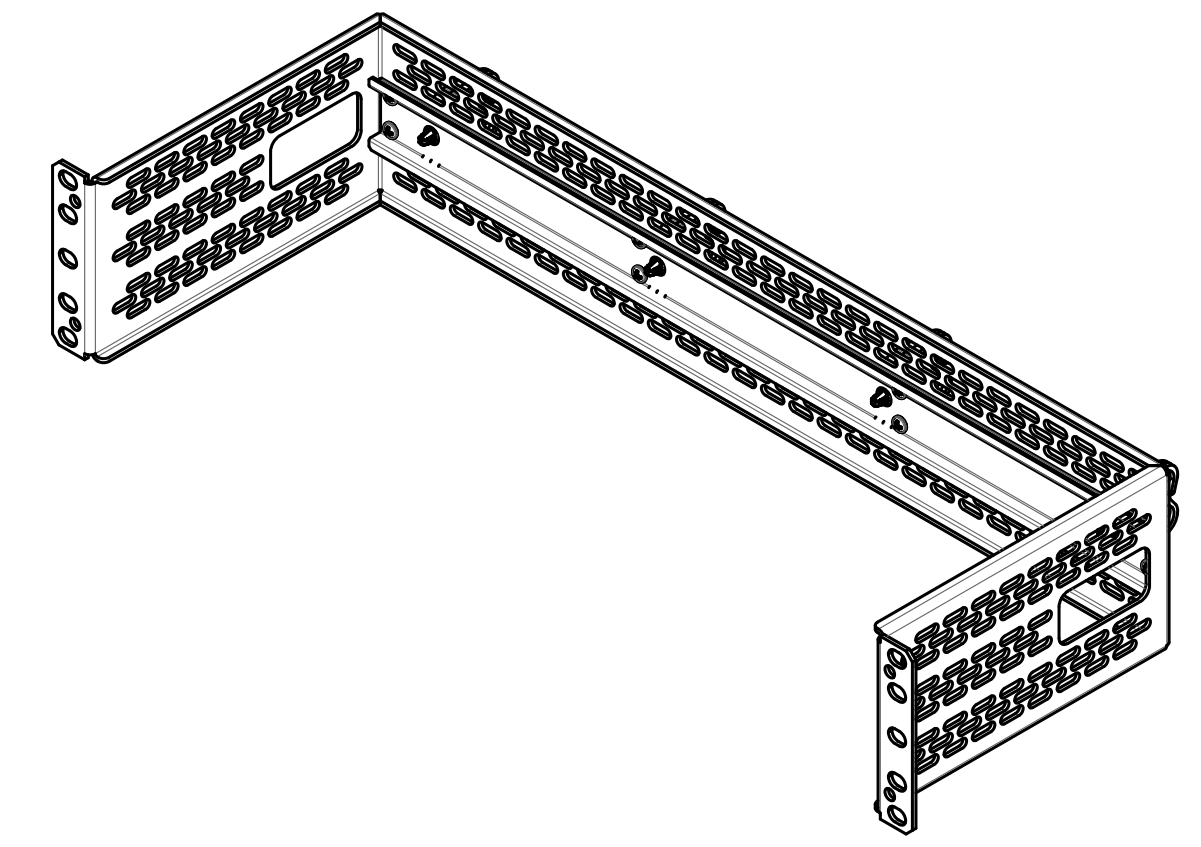
3

2

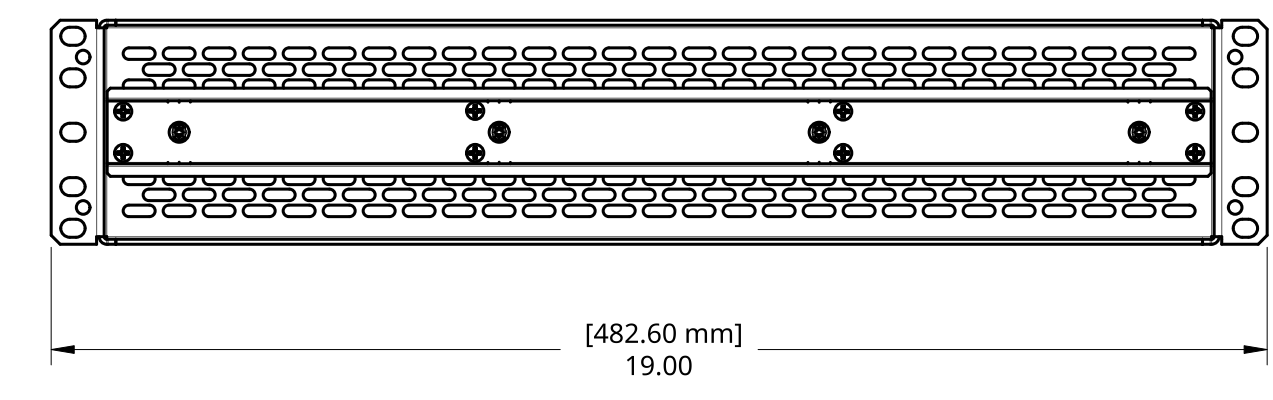
1



TOP VIEW



LEFT VIEW



FRONT VIEW

TITLE			
RLH-DRB-2 - 19 Inch - Rev B			
THIRD ANGLE PROJECTION	SIZE	DWG NO.	REV.
	1:3	CD-408	A
SCALE	WEIGHT	SHEET	1 of 1

4

3

2

1

D

D

C

C

B

B

A

A