

USER GUIDE

Mini 2 Plate Wall Mount Fiber Patch Panel

Compact Indoor/Outdoor Wall Mount Fiber Patch Panel

The Mini 2 Plate Wall Mount Patch Panel is designed for fiber optic patching applications where a compact wall mount housing is desired.

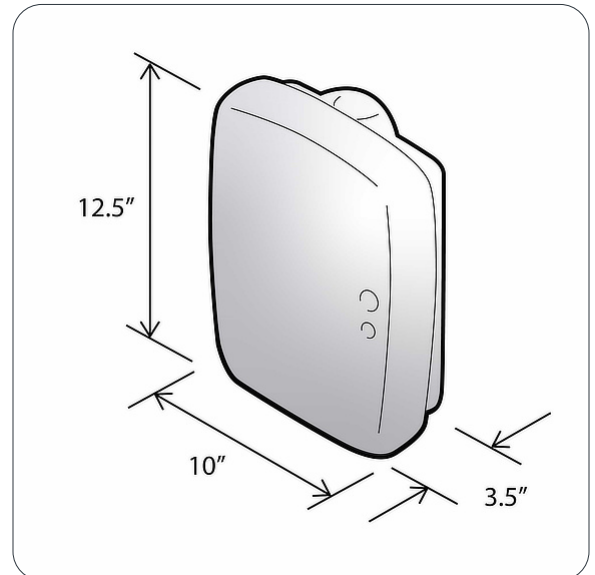
These sturdy, gray, thermoplastic enclosures accept two RLH fiber adapter plates. The housings can be ordered preloaded, with the adapter plates preinstalled. A screw down hex nut and pad lock hasp the door provide added network security. Each housing includes cable tie-downs, and fiber management clips for securing fiber cable. Self-sealing rubber grommets on the bottom of the housing accommodate multiple cable entrances and exits. All mounting hardware is included.



Mini 2 Plate Wall Mount Fiber Patch Panel

Key Features

- Self sealing rubber grommets for multiple cable entrances and exits
- Pad lock hasp for locking
- Strain reliefs and anchor points to secure fiber cable inside the enclosure
- Wall mount form factor
- 2 adapter plate capacity
- Adapter plates ordered together are preloaded
- Durable thermoplastic construction
- Includes fiber management clips for fiber storage
- Mounting hardware included



Dimensions

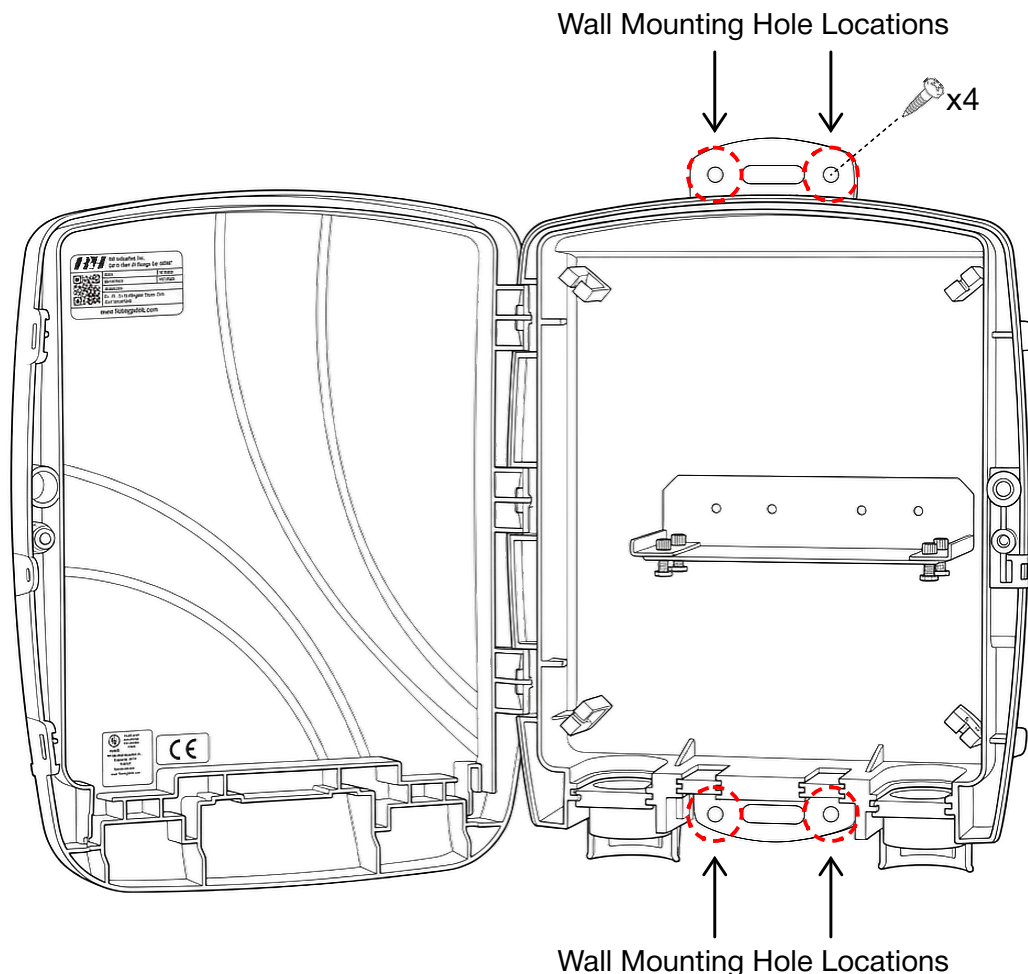
Installation

Choose a suitable location, with room for the door to open fully for easy access to the interior. Pre-position the patch panel to plan out cable routings and check for any potential problems with the location. The patch panel may be mounted in any orientation making it a flexible solution in the field.

The fiber management spool is for accommodating slack fiber cable when used as a patching solution. It includes ports with grommets for protected entry and exit.

Wall Mounting

Once the position is determined, mark out the mounting points and use the included mounting screws to mount the patch panel. For all other mounting applications, use appropriate mounting hardware as required.



USER GUIDE

Ordering Information

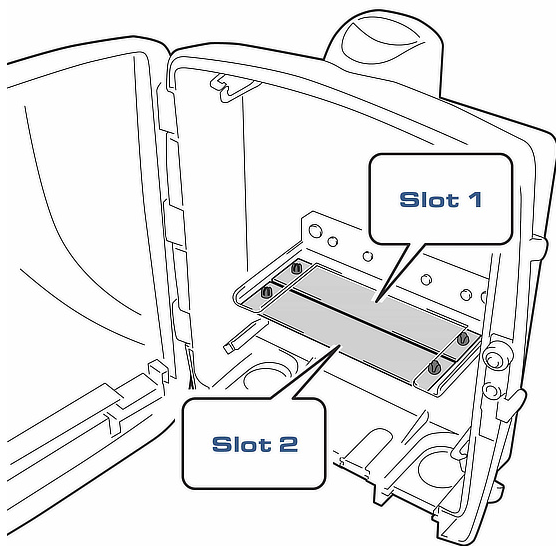
Use the following part number when ordering the patch panel without fiber adapter plates.

Description	Capacity	Dimensions	Part Number
Mini 2 Plate Wall Mount Fiber Patch Panel	2 Fiber Adapter Plates	10" (W) x 3.5" (D) x 12.5" (H)	PMW-02-02

- Fiber Adapter Plates are ordered separately and may be preinstalled prior to shipping

Ordering with Fiber Adapter Plates and Pigtails

Use the ordering code below to order the patch panel with fiber adapter plates preinstalled and/or pigtails included. Refer to the Fiber Adapter Plate Chart and the Fiber Pigtail Chart on the following pages.



Example #1:	PMW - 02 - 32 - 32 - 41 - 41 - 2	
	Slot 1 (32):	AP-SC6-LDSM-G
	Slot 2 (32):	AP-SC6-LDSM-G
	Slot 1 (41):	RLH-12SMSC-03M
	Slot 2 (41):	RLH-12SMSC-03M
Example #2:	PMW - 02 - 08 - 08 - 00 - 00 - 2	
	Slot 1 (08):	AP-ST12-LSMM-G
	Slot 2 (08):	AP-ST12-LSMM-G
	Slot 1 (00):	None
	Slot 2 (00):	None



Fiber Adapter Plates

Use the code from the Adapter Plate Chart* to populate slots with adapter plates

– Splice Holders & Sleeves Included with Patch Panel –

Fiber Pigtails

Use the code from the Fiber Pigtail Chart* to have them bundled together with the patch panel

*Please refer to the **Fiber Adapter Plate Chart** and the **Fiber Pigtail Chart** on the following pages.

Ordering Information (cont'd)

Adapter Plate Chart

Use the Adapter Code to specify the desired plate style to be preinstalled.

Adapter	Adapter Plate Style					Supported Fiber Types	Gray Plate Part Number	Adapter Code
	Mode	Type	Fibers	Positions	Color			
Blank	-	-	-	-	-	-	AP-BLANK-G	00
ST	SM	Simplex	6	6	Yellow Caps	OS1/OS2	AP-ST6-LSSM-G	01
			12	12	Yellow Caps	OS1/OS2	AP-ST12-LSSM-G	03
	MM	Simplex	6	6	Black Caps	OM1~OM4	AP-ST6-LSMM-G	06
			12	12	Black Caps	OM1~OM4	AP-ST12-LSMM-G	08
FC	SM	Simplex	6	6	Yellow Caps	OS1/OS2	AP-FC6-LSSM-G	20
	MM	Simplex	6	6	Black Caps	OM1/OM2	AP-FC6-LSMM-G	23
FC/APC	SM	Simplex	6	6	Green Caps	OS1/OS2	AP-FA6-LSSM-G	26
SC	SM	Simplex	6	6	■ blue	OS1/OS2	AP-SC6-LSSM-G	30
	SM	Duplex	6	3	■ blue	OS1/OS2	AP-SC3-LDSM-G	43
	SM		12	6	■ blue	OS1/OS2	AP-SC6-LDSM-G	32
	MM	Simplex	6	6	■ beige	OM1/OM2	AP-SC6-LSMM-G	33
	MM	Duplex	6	3	■ beige	OM1/OM2	AP-SC3-LDMM-G	44
	MM		12	6	■ beige	OM1/OM2	AP-SC6-LDMM-G	35
SC/APC	SM	Simplex	6	6	■ green	OS1/OS2	AP-SA6-LSSM-G	36
	SM	Duplex	6	3	■ green	OS1/OS2	AP-SA3-LSSM-G	45
	SM		12	6	■ green	OS1/OS2	AP-SA6-LDSM-G	38
SC 10G	MM	Simplex	6	6	■ aqua	OM3/OM4	AP-SC6-LSMX-G	39
	MM	Duplex	6	3	■ aqua	OM3/OM4	AP-SC3-LSMX-G	42
	MM		12	6	■ aqua	OM3/OM4	AP-SC6-LDMX-G	41
LC	SM	Duplex	6	3	■ blue	OS1/OS2	AP-LC3-LDSM-G	51
			12	6	■ blue	OS1/OS2	AP-LC6-LDSM-G	52
	MM	Quad	24	6	■ blue	OS1/OS2	AP-LC6-LQSM-G	54
		Duplex	6	3	■ beige	OM1/OM2	AP-LC3-LDMM-G	56
			12	6	■ beige	OM1/OM2	AP-LC6-LDMM-G	57
Quad	24	6	■ beige	OM1/OM2	AP-LC6-LQMM-G	59		
LC/APC	SM	Duplex	6	3	■ green	OS1/OS2	AP-LA3-LDSM-G	61
			12	6	■ green	OS1/OS2	AP-LA6-LDSM-G	62
		Quad	24	6	■ green	OS1/OS2	AP-LA6-LQSM-G	64
LC 10G	MM	Duplex	6	3	■ aqua	OM3/OM4	AP-LC3-LDMX-G	66
			12	6	■ aqua	OM3/OM4	AP-LC6-LDMX-G	67
		Quad	24	6	■ aqua	OM3/OM4	AP-LC6-LQMX-G	69
Unshielded CAT6 RJ-45	-	Coupler	-	4	■ black	-	AP-RJCAT6-CP4-G	90
	-	Punchdown	-	4	■ black	-	AP-RJCAT6-PD4-G	91
	-	Coupler	-	6	■ black	-	AP-RJCAT6-CP6-G	92
Shielded CAT6 RJ-45	-	Coupler	-	4	■ Metallic	-	AP-RJCAT6S-CP4-G	94
	-	Punchdown	-	4	■ Metallic	-	AP-RJCAT6S-PD4-G	95
	-	Coupler	-	6	■ Metallic	-	AP-RJCAT6S-CP6-G	97
	-	Punchdown	-	6	■ Metallic	-	AP-RJCAT6S-PD6-G	98

Ordering Information (cont'd)

Fiber Pigtail Chart

Use the Pigtail Code to specify the desired 900µm Spiral Wrap Splice-on Fiber Pigtail to be included.

900µm Spiral Wrap Splice-on Pigtail				Part Number	Pigtail Code		
Adapter	Mode	Fibers	Fiber Type	NONE	00		
N/A	N/A	N/A	N/A				
ST	SM	6	OS1/OS2	RLH-06SMST-03M	01		
		12	OS1/OS2	RLH-12SMST-03M	02		
	MM	6		OM1	RLH-06MMST-03M	06	
				OM2	RLH-06M5ST-03M	07	
				OM3	RLH-06MXST-03M	08	
				OM4	RLH-06MCST-03M	09	
		12		OM1	RLH-12MMST-03M	12	
				OM2	RLH-12M5ST-03M	13	
				OM3	RLH-12MXST-03M	14	
				OM4	RLH-12MCST-03M	15	
			SM	6	OS1/OS2	RLH-06SMFC-03M	20
				12	OS1/OS2	RLH-12SMFC-03M	21
FC	MM	6	OM1	RLH-06MMFC-03M	23		
			OM2	RLH-06M5FC-03M	24		
			OM3	RLH-06MXFC-03M	25		
			OM4	RLH-06MCFC-03M	26		
	12		OM1	RLH-12MMFC-03M	28		
			OM2	RLH-12M5FC-03M	29		
			OM3	RLH-12MXFC-03M	30		
			OM4	RLH-12MCFC-03M	31		
		SM	6	OS1/OS2	RLH-06SMFA-03M	33	
			12	OS1/OS2	RLH-12SMFA-03M	34	
SC	SM	6	OS1/OS2	RLH-06SMSC-03M	40		
		12	OS1/OS2	RLH-12SMSC-03M	41		
	MM	6		OM1	RLH-06MMSC-03M	43	
				OM2	RLH-06M5SC-03M	44	
				OM3	RLH-06MXSC-03M	45	
				OM4	RLH-06MCSC-03M	46	
		12		OM1	RLH-12MMSC-03M	48	
				OM2	RLH-12M5SC-03M	49	
				OM3	RLH-12MXSC-03M	50	
				OM4	RLH-12MCSC-03M	51	
			SM	6	OS1/OS2	RLH-06SMSA-03M	53
				12	OS1/OS2	RLH-12SMSA-03M	54
LC	SM	6	OS1/OS2	RLH-06SMLC-03M	60		
		12	OS1/OS2	RLH-12SMLC-03M	61		
		24	OS1/OS2	RLH-12SMLC-03M (2)	62		
	MM	6		OM1	RLH-06MMLC-03M	63	
				OM2	RLH-06M5LC-03M	64	
				OM3	RLH-06MXLC-03M	65	
				OM4	RLH-06MCLC-03M	66	
		12		OM1	RLH-12MMLC-03M	68	
				OM2	RLH-12M5LC-03M	69	
				OM3	RLH-12MXLC-03M	70	
				OM4	RLH-12MCLC-03M	71	
				OM1	RLH-12MMLC-03M (2)	73	
				OM2	RLH-12M5LC-03M (2)	74	
				OM3	RLH-12MXLC-03M (2)	75	
				OM4	RLH-12MCLC-03M (2)	76	
			SM	6	OS1/OS2	RLH-06SMLA-03M	78
12	OS1/OS2	RLH-12SMLA-03M		79			
24	OS1/OS2	RLH-12SMLA-03M (2)		80			

