



## Mini 2 Plate Wall Mount Fiber Patch Panel

### Compact Indoor/Outdoor Wall Mount Fiber Patch Panel

The Mini 2 Plate Wall Mount Patch Panel is designed for fiber optic patching applications where a compact wall mount housing is desired.

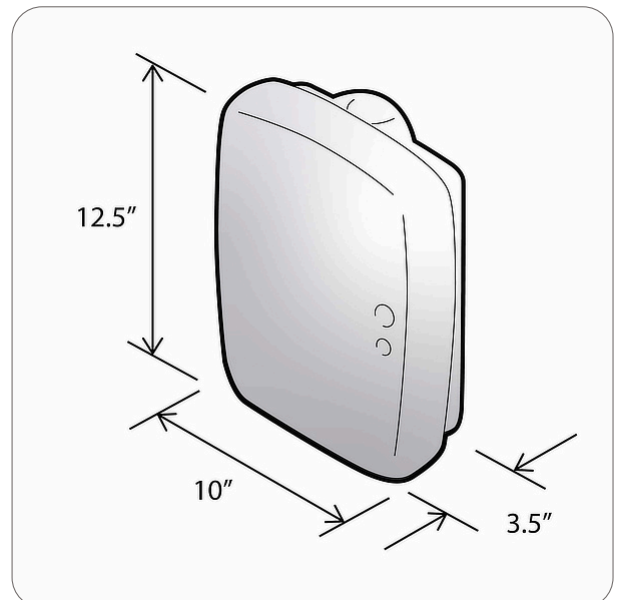
These sturdy, gray, thermoplastic enclosures accept two RLH fiber adapter plates. The housings can be ordered preloaded, with the adapter plates preinstalled. A screw down hex nut and pad lock hasp the door provide added network security. Each housing includes cable tie-downs, and fiber management clips for securing fiber cable. Self-sealing rubber grommets on the bottom of the housing accommodate multiple cable entrances and exits. All mounting hardware is included.



Mini 2 Plate Wall Mount Fiber Patch Panel

### Key Features

- Self sealing rubber grommets for multiple cable entrances and exits
- Pad lock hasp for locking
- Strain reliefs and anchor points to secure fiber cable inside the enclosure
- Wall mount form factor
- 2 adapter plate capacity
- Adapter plates ordered together are preloaded
- Durable thermoplastic construction
- Includes fiber management clips for fiber storage
- Mounting hardware included



Dimensions



## Installation

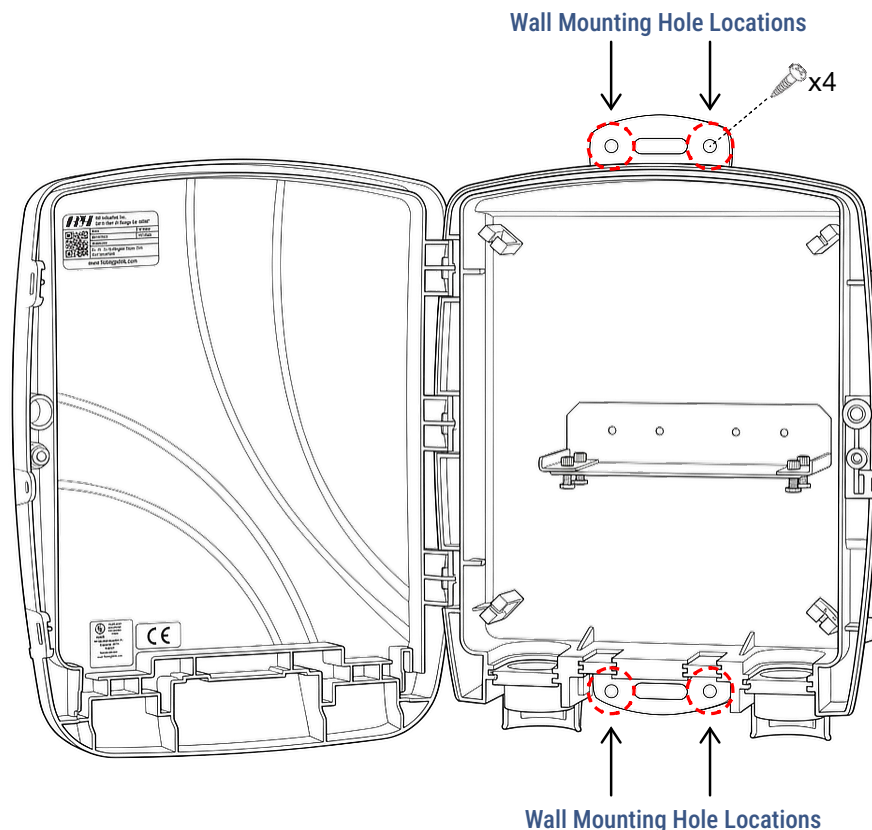
### Wall Mounting

Choose a suitable location, with room for the door to open fully for easy access to the interior. Pre-position the patch panel to plan out cable routings and check for any potential problems with the location. The patch panel may be mounted in any orientation making it a flexible solution in the field.

Once the position is determined, mark out the mounting points and use the included hardware to mount the patch panel when mounting to wood surfaces. For all other mounting applications, use the appropriate mounting hardware as required.

### Adapter Plates

The Mini 2 Plate Wall Mount Fiber Patch Panel accommodates LGX adapter plates. The LGX style adapter plates are easily installed and removed by pushing in or pulling out the two finger plunger latches on each side of the plate. When the plunger latches are in the OUT position, the fiber adapter plate can be inserted or removed. Pushing the latch into the IN position locks the adapter plate into position and prepares the plate for use.



## Ordering Information

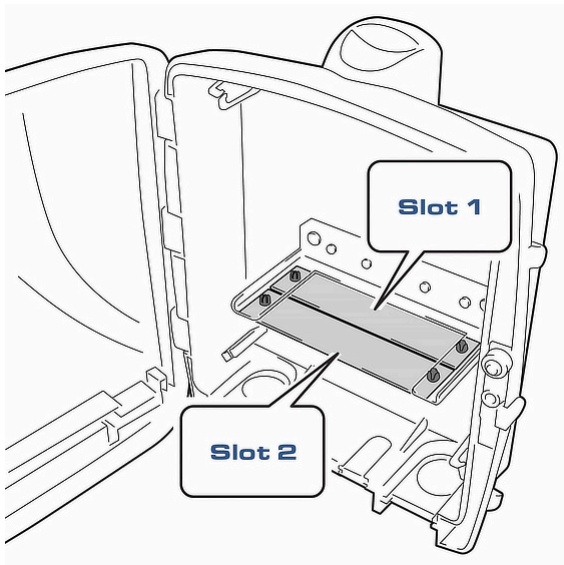
Use the following part number when ordering the patch panel without fiber adapter plates or pigtails.

Description	Mounting	Capacity	Dimensions	Part Number
Mini 2 Plate Wall Mount Fiber Patch Panel	Wall	2 Adapter Plates	10" (W) x 3.5" (D) x 12.5" (H)	PMW-02-02

- Fiber adapter plates and/or pigtails can be ordered separately; plates can be preinstalled, while pigtails will be bundled

### Ordering with Fiber Adapter Plates, Pigtails

Use the ordering code below to order the patch panel with any combination of a preinstalled adapter plates and bundled fiber pigtails. Refer to the Fiber Adapter Plate Chart and the Fiber Pigtail Chart on the following pages.



Example #1:	<b>PMW - 02 - 32 - 32 - 41 - 41 - 2</b>
Slot 1 (32):	AP-SC6-LDSM-G
Slot 2 (32):	AP-SC6-LDSM-G
Slot 1 (41):	RLH-12SMSC-03M
Slot 2 (41):	RLH-12SMSC-03M
Example #2:	<b>PMW - 02 - 08 - 08 - 00 - 00 - 2</b>
Slot 1 (08):	AP-ST12-LSMM-G
Slot 2 (08):	AP-ST12-LSMM-G
Slot 1 (00):	None
Slot 2 (00):	None



#### Fiber Adapter Plates

Use the code from the Adapter Plate Chart\* to populate slots with adapter plates

#### Fiber Pigtails

Use the code from the Fiber Pigtail Chart\* to have them bundled together with the patch panel

**Note:** Splice Holders & Sleeves are Included with Patch Panel

\*Please refer to the **Fiber Adapter Plate Chart** and the **Fiber Pigtail Chart** on the following pages

## Ordering Information (cont'd)

### Adapter Plate Chart

Use the Adapter Code to specify the desired plate style to be preinstalled.

Adapter Plate Style						Supported Fiber Types	Gray Plate Part Number	Adapter Code
Adapter	Mode	Type	Fibers	Positions	Color			
Blank	-	-	-	-	-	-	<b>AP-BLANK-G</b>	00
ST	SM	Simplex	6	6	Yellow Caps	OS1/OS2	<b>AP-ST6-LSSM-G</b>	01
			12	12	Yellow Caps	OS1/OS2	<b>AP-ST12-LSSM-G</b>	03
	MM	Simplex	6	6	Black Caps	OM1~OM4	<b>AP-ST6-LSMM-G</b>	06
			12	12	Black Caps	OM1~OM4	<b>AP-ST12-LSMM-G</b>	08
FC	SM	Simplex	6	6	Yellow Caps	OS1/OS2	<b>AP-FC6-LSSM-G</b>	20
	MM		6	6	Black Caps	OM1/OM2	<b>AP-FC6-LSMM-G</b>	23
FC/APC	SM	Simplex	6	6	Green Caps	OS1/OS2	<b>AP-FA6-LSSM-G</b>	26
SC	SM	Simplex	6	6	■ blue	OS1/OS2	<b>AP-SC6-LSSM-G</b>	30
	SM		6	3	■ blue	OS1/OS2	<b>AP-SC3-LDSM-G</b>	43
	SM	Duplex	12	6	■ blue	OS1/OS2	<b>AP-SC6-LDSM-G</b>	32
	MM		6	6	■ beige	OM1/OM2	<b>AP-SC6-LSMM-G</b>	33
	MM	Duplex	6	3	■ beige	OM1/OM2	<b>AP-SC3-LDMM-G</b>	44
	MM		12	6	■ beige	OM1/OM2	<b>AP-SC6-LDMM-G</b>	35
SC/APC	SM	Simplex	6	6	■ green	OS1/OS2	<b>AP-SA6-LSSM-G</b>	36
	SM		6	3	■ green	OS1/OS2	<b>AP-SA3-LSSM-G</b>	45
	SM	Duplex	12	6	■ green	OS1/OS2	<b>AP-SA6-LDSM-G</b>	38
SC 10G	MM	Simplex	6	6	■ aqua	OM3/OM4	<b>AP-SC6-LSMX-G</b>	39
	MM		6	3	■ aqua	OM3/OM4	<b>AP-SC3-LSMX-G</b>	42
	MM	Duplex	12	6	■ aqua	OM3/OM4	<b>AP-SC6-LDMX-G</b>	41
LC	SM	Duplex	6	3	■ blue	OS1/OS2	<b>AP-LC3-LDSM-G</b>	51
			12	6	■ blue	OS1/OS2	<b>AP-LC6-LDSM-G</b>	52
		Quad	24	6	■ blue	OS1/OS2	<b>AP-LC6-LQSM-G</b>	54
	MM	Duplex	6	3	■ beige	OM1/OM2	<b>AP-LC3-LDMM-G</b>	56
			12	6	■ beige	OM1/OM2	<b>AP-LC6-LDMM-G</b>	57
Quad		24	6	■ beige	OM1/OM2	<b>AP-LC6-LQMM-G</b>	59	
LC/APC	SM	Duplex	6	3	■ green	OS1/OS2	<b>AP-LA3-LDSM-G</b>	61
			12	6	■ green	OS1/OS2	<b>AP-LA6-LDSM-G</b>	62
		Quad	24	6	■ green	OS1/OS2	<b>AP-LA6-LQSM-G</b>	64
LC 10G	MM	Duplex	6	3	■ aqua	OM3/OM4	<b>AP-LC3-LDMX-G</b>	66
			12	6	■ aqua	OM3/OM4	<b>AP-LC6-LDMX-G</b>	67
		Quad	24	6	■ aqua	OM3/OM4	<b>AP-LC6-LQMX-G</b>	69
Unshielded CAT6 RJ-45	-	Coupler	-	4	■ black	-	<b>AP-RJCAT6-CP4-G</b>	90
	-	Punchdown	-	4	■ black	-	<b>AP-RJCAT6-PD4-G</b>	91
	-	Coupler	-	6	■ black	-	<b>AP-RJCAT6-CP6-G</b>	92
Shielded CAT6 RJ-45	-	Coupler	-	4	■ Metallic	-	<b>AP-RJCAT6S-CP4-G</b>	94
	-	Punchdown	-	4	■ Metallic	-	<b>AP-RJCAT6S-PD4-G</b>	95
	-	Coupler	-	6	■ Metallic	-	<b>AP-RJCAT6S-CP6-G</b>	97
	-	Punchdown	-	6	■ Metallic	-	<b>AP-RJCAT6S-PD6-G</b>	98



## Ordering Information (cont'd)

### Fiber Pigtail Chart

Use the Pigtail Code to specify the desired 900µm Spiral Wrap Splice-on Fiber Pigtail to be included.

900µm Spiral Wrap Splice-on Pigtail				Part Number	Pigtail Code			
Adapter	Mode	Fibers	Fiber Type					
N/A	N/A	N/A	N/A	NONE	00			
ST	SM	6	OS1/OS2	RLH-06SMST-03M	01			
		12	OS1/OS2	RLH-12SMST-03M	02			
	MM	6	OM1	RLH-06MMST-03M	06			
			OM2	RLH-06M5ST-03M	07			
			OM3	RLH-06MXST-03M	08			
			OM4	RLH-06MCST-03M	09			
		12	OM1	RLH-12MMST-03M	12			
			OM2	RLH-12M5ST-03M	13			
			OM3	RLH-12MXST-03M	14			
			OM4	RLH-12MCST-03M	15			
			SM	6	OS1/OS2	RLH-06SMFC-03M	20	
				12	OS1/OS2	RLH-12SMFC-03M	21	
			FC	6	OM1	RLH-06MMFC-03M	23	
					OM2	RLH-06M5FC-03M	24	
					OM3	RLH-06MXFC-03M	25	
OM4	RLH-06MCFC-03M	26						
MM	OM1	RLH-12MMFC-03M		28				
	OM2	RLH-12M5FC-03M		29				
	OM3	RLH-12MXFC-03M		30				
	OM4	RLH-12MCFC-03M		31				
	SM	6		OS1/OS2	RLH-06SMFA-03M	33		
		12		OS1/OS2	RLH-12SMFA-03M	34		
SC	SM	6	OS1/OS2	RLH-06SMSC-03M	40			
		12	OS1/OS2	RLH-12SMSC-03M	41			
	MM	6	OM1	RLH-06MMSC-03M	43			
			OM2	RLH-06M5SC-03M	44			
			OM3	RLH-06MXSC-03M	45			
			OM4	RLH-06MCSC-03M	46			
		12	OM1	RLH-12MMSC-03M	48			
			OM2	RLH-12M5SC-03M	49			
			OM3	RLH-12MXSC-03M	50			
			OM4	RLH-12MCSC-03M	51			
			SM	6	OS1/OS2	RLH-06SMSA-03M	53	
				12	OS1/OS2	RLH-12SMSA-03M	54	
			LC	SM	6	OS1/OS2	RLH-06SMLC-03M	60
					12	OS1/OS2	RLH-12SMLC-03M	61
					24	OS1/OS2	RLH-12SMLC-03M (2)	62
OM1	RLH-06MMLC-03M	63						
6	OM2	RLH-06M5LC-03M		64				
	OM3	RLH-06MXLC-03M		65				
	OM4	RLH-06MCLC-03M		66				
	OM1	RLH-12MMLC-03M		68				
	OM2	RLH-12M5LC-03M		69				
	OM3	RLH-12MXLC-03M		70				
	OM4	RLH-12MCLC-03M		71				
	24	OM1		RLH-12MMLC-03M (2)	73			
OM2		RLH-12M5LC-03M (2)		74				
OM3		RLH-12MXLC-03M (2)		75				
OM4		RLH-12MCLC-03M (2)		76				
LC/APC	SM	6	OS1/OS2	RLH-06SMLA-03M	78			
		12	OS1/OS2	RLH-12SMLA-03M	79			
		24	OS1/OS2	RLH-12SMLA-03M (2)	80			



## Key Specifications

<b>Adapter Plates</b>	Holds 2 LGX® plates* Up to 48 Fibers (24 Fibers each plate) <i>*Includes 2 blank adapter plates when not ordered with accompanying adapter plates</i>
<b>Mounting Style</b>	Wall Mount
<b>Environment</b>	Indoor or outdoor use
<b>Construction</b>	High Quality PVC or polypropylene
	4 robust ports with grommets for protected entry and exit
	Cable management guides
<b>Accessory Kit</b>	Qty. 2: #10 x 3/4" Mounting screws and washers
<b>Dimensions</b>	10" (W) x 3.5" (D) x 12.5" (H), (254mm x 89mm x 318mm)
<b>Compliance</b>	UL Listed, CE

## Contact

<b>By Mail:</b>	ATTN: Sales RLH Industries, Inc. 936 N. Main Street Orange, CA 92867	
<b>By Phone:</b>	<b>Local</b>	714-532-1672
<b>Sales/Service</b>	<b>Toll Free</b>	800-877-1672
<b>By Email:</b>	info@fiberopticlink.com	
<b>By Fax:</b>	714-532-1885	

## Support

<b>By Email:</b>	support@fiberopticlink.com
<b>By Phone:</b>	Toll Free 855-754-2497