

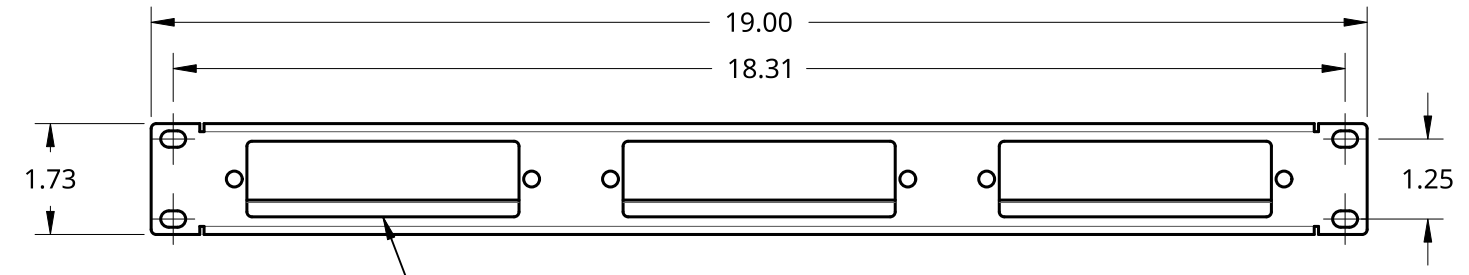
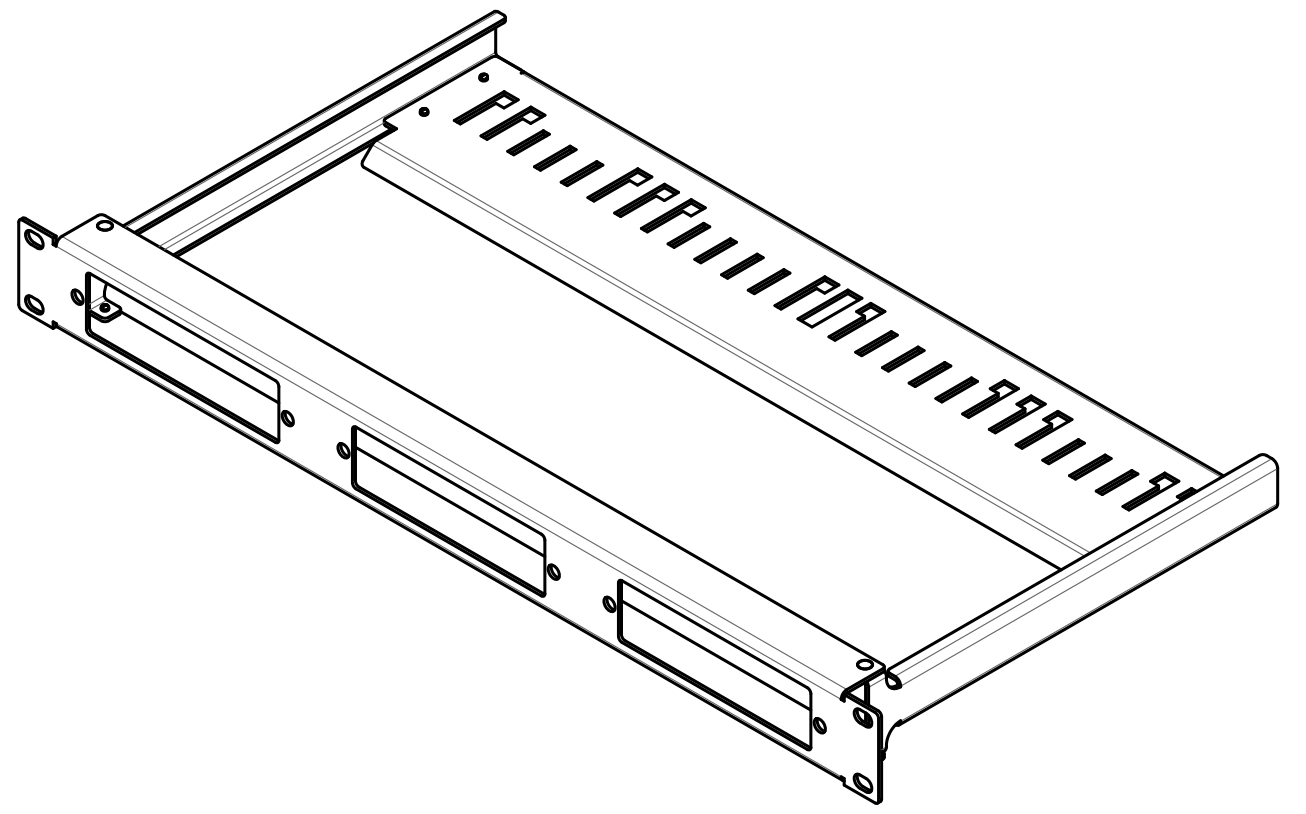
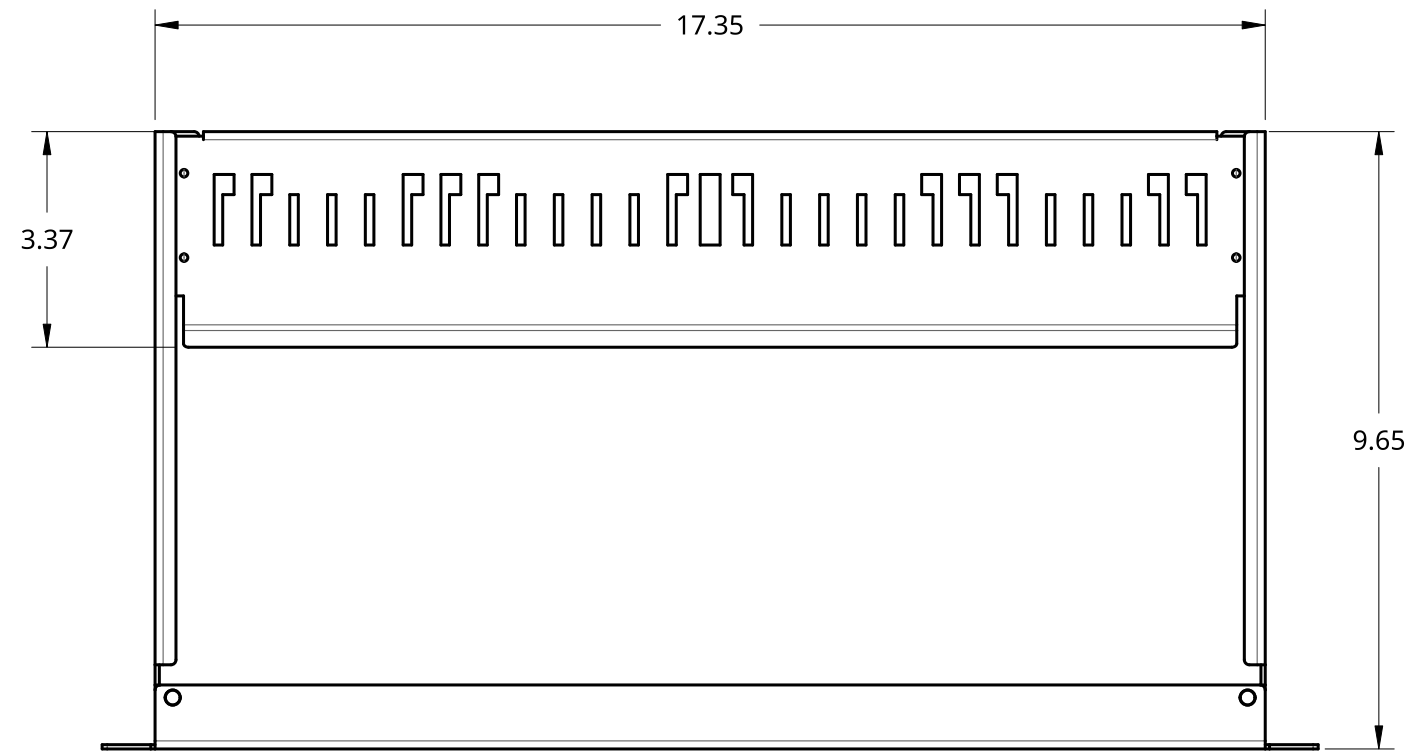
4

3

2

1

REV	Zone	DESCRIPTION	DATE	APPROVED
A		INITIAL RELEASE	08/10/2023	KG

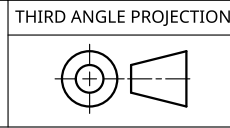


FOR STANDARD LGX ADAPTER PLATE OR MTP/MPO CASSETTE

TITLE  
**FIBER ADAPTER PLATE RACK MOUNT  
 BRACKET WITH FIBER STRAIN RELIEF GUIDE**



**FIBEROPTICLINK**



SIZE	DWG NO.	REV.
<b>B</b>	<b>MAG-3</b>	<b>A</b>
SCALE	WEIGHT	SHEET
1:3		1 of 1

4

3

2

1

D

D

C

C

B

B

A

A