

4

3

2

1

D

D

C

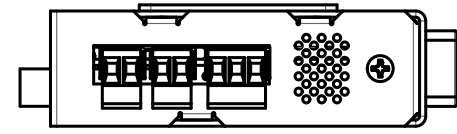
C

B

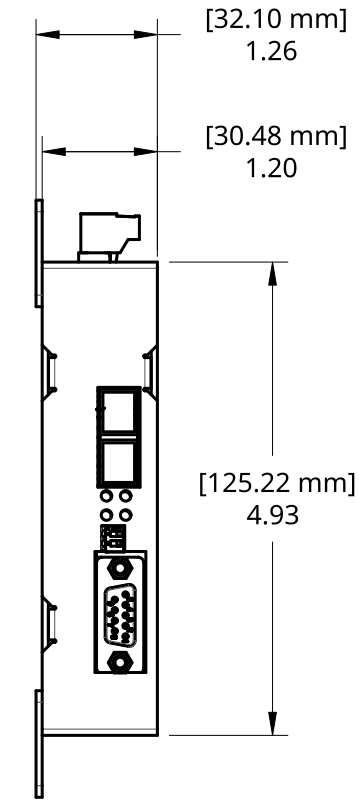
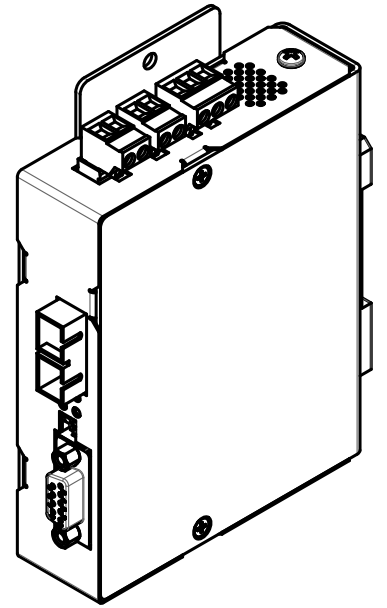
B

A

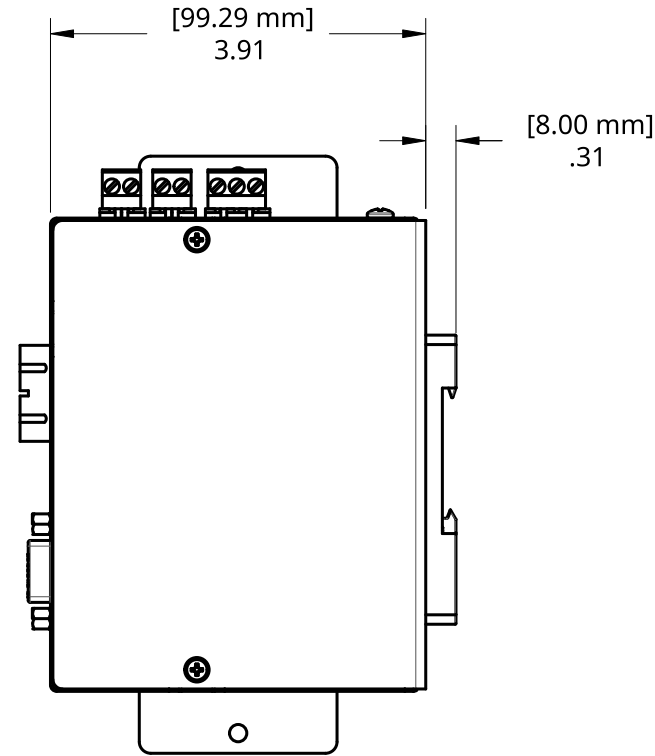
A



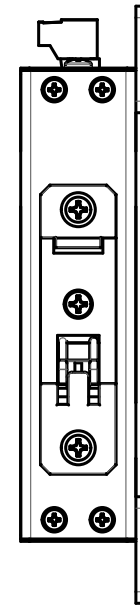
TOP VIEW



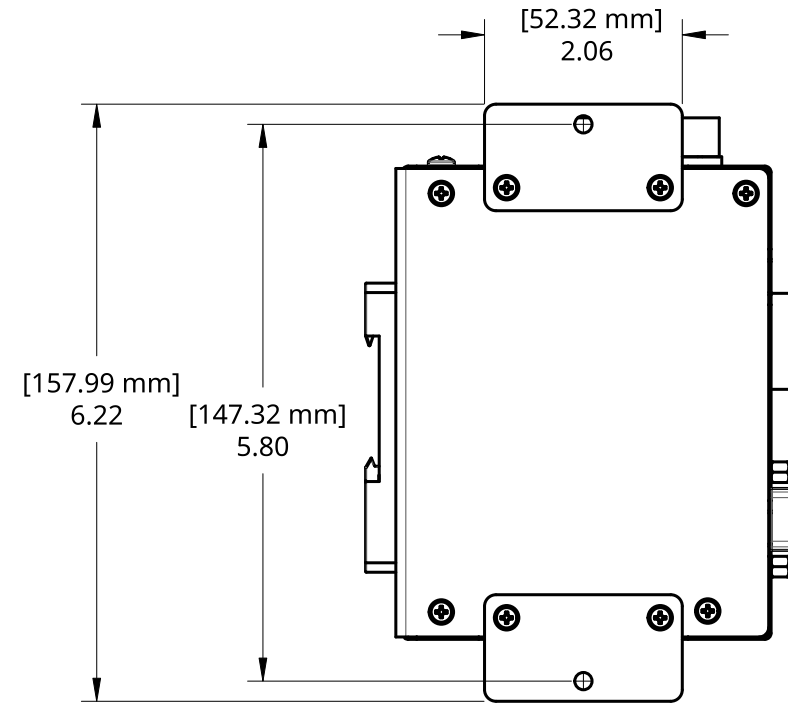
FRONT VIEW



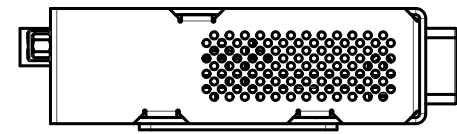
RIGHT VIEW



REAR VIEW



LEFT VIEW



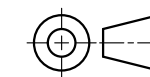
BOTTOM VIEW



RLH Industries, Inc.

FIBEROPTICLINK

THIRD ANGLE PROJECTION



TITLE				SED-XX-2-Wall Rev C	
SIZE	DWG NO.		CD-405		REV. A
SCALE	1:2	WEIGHT	SHEET		1 of 1

4

3

2

1