

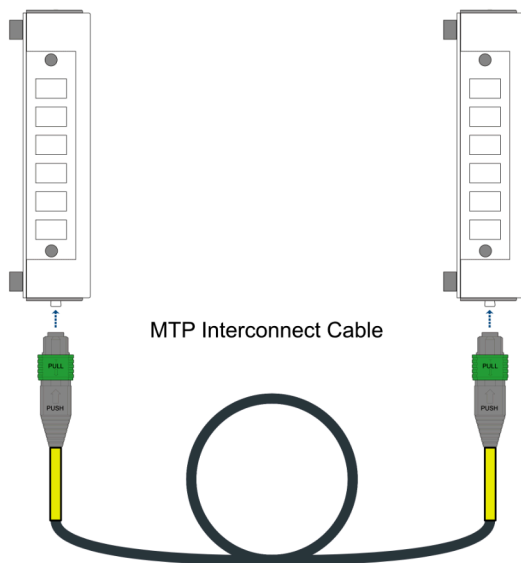
## USER GUIDE

### Industrial MTP DIN Fiber Module

#### Compact Industrial MTP Breakout Module for Rapid Fiber Deployments

The RLH Industrial MTP DIN Fiber Module is designed to offer a quick and reliable solution for deploying fiber throughout industrial and commercial networks. These modules come preloaded with a MTP breakout cable and are terminated to ST, SC, or LC adapters.

When ordered with the optional MTP interconnect cable, these modules combine to make a complete fiber extension system, allowing field devices to quickly connect and begin communicating.



DIN Mounted MTP to SC OM3 Module



Wall Mounted MTP to ST Multimode Module

These modules are designed and assembled in the USA and are readily customizable to specialized applications when desired.

### Key Features

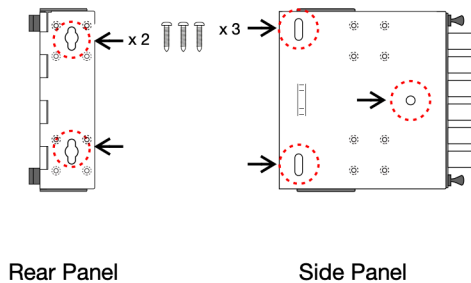
- ◆ MTP to 12 fiber break out
- ◆ ST, SC, and LC modules available
- ◆ Supports singlemode and multimode fiber
- ◆ Compatible with both MTP & MPO adapters
- ◆ Optional interconnect cable available for quick installation
- ◆ Compact foot print
- ◆ Factory tested and polished for fast reliable installation
- ◆ Designed and assembled in USA

### Mounting

Choose a suitable location, with room for the door to open fully for easy access to the front. Pre-position the MTP Module to plan out cable routings and check for any potential problems with the location. The MTP Module allows it to be mounted facing multiple directions making it a flexible solution in the field.

#### Wall Mounting

For wall mounting, once the position is determined, mark out the mounting points and use appropriate mounting hardware as required.

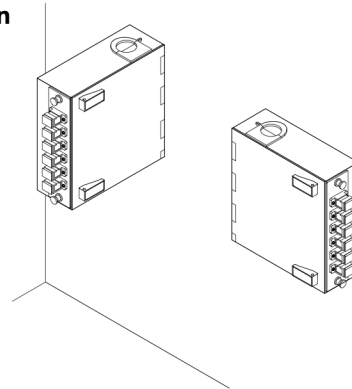


Rear Panel

Side Panel

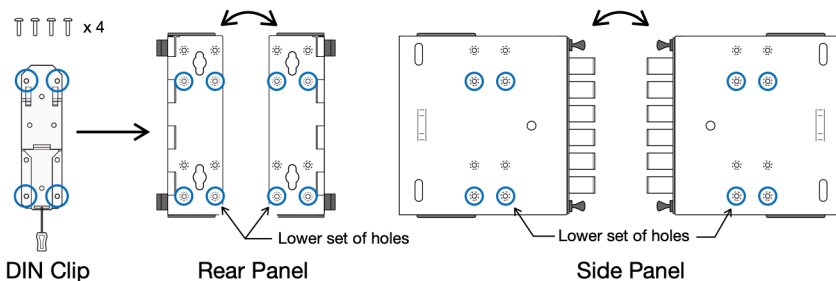
**Wall Mounting Hole Locations**

**Installation Examples**



#### DIN Rail Mounting

The MTP Module may be configured for DIN rail mounting facing right or left, using a rear or side DIN rail installation. Attach the DIN Clip using the screws provided onto the lower set of holes for your desired orientation. This will center the MTP Module when mounted on the DIN rail.

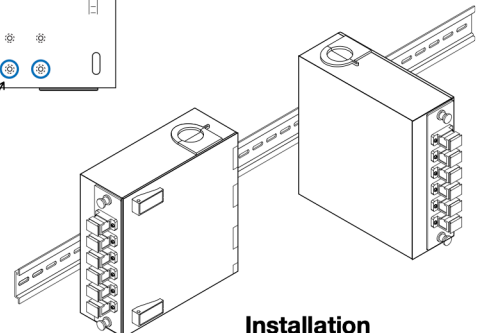


DIN Clip

Rear Panel

Side Panel

**DIN Clip Mounting Hole Locations**



**Installation Examples**

## USER GUIDE

### Key Specifications

<b>Mounting Style:</b>	Wall and DIN rail
<b>Environmental:</b>	Suitable for use indoors or within a weatherproof enclosure
<b>Construction:</b>	Powder-coated steel, hinged door, and plunger latches
<b>Dimensions*:</b>	W 4.0" x H 5.3" x D 1.6" (102mm x 135mm x 41mm) *Not including latches or MTP Adapter

### Configuration Specifications

MTP Interface	Fiber Adapter	Fiber Mode	Fiber Count	Part Number	Compatible MTP Interconnect Cable*
MTP Female	LC Duplex	Multimode (OM1)	12	MTP-NANO-LC-LDMM	RLH-12CRMM2-MLML-B12-F-1
MTP Female	LC Duplex	Multimode (OM3)	12	MTP-NANO-LC-LDMX	RLH-12IRMX2-MLML-B12-F-1
MTP Female	LC Duplex	Singlemode	12	MTP-NANO-LC-LDSM	RLH-12CRSM2-MSMS-B12-F-1
MTP Female	SC Duplex	Multimode (OM1)	12	MTP-NANO-SC-LDMM	RLH-12CRMM2-MLML-B12-F-1
MTP Female	SC Duplex	Multimode (OM3)	12	MTP-NANO-SC-LDMX	RLH-12IRMX2-MLML-B12-F-1
MTP Female	SC Duplex	Singlemode	12	MTP-NANO-SC-LDSM	RLH-12CRSM2-MSMS-B12-F-1
MTP Female	ST Simplex	Multimode (OM1)	12	MTP-NANO-ST-LSMM	RLH-12CRMM2-MLML-B12-F-1
MTP Female	ST Simplex	Singlemode	12	MTP-NANO-ST-LSSM	RLH-12CRSM2-MSMS-B12-F-1

\*MTP Interconnect Cables are ordered by the foot

## Ordering Information

Description	Part Number
Nano MTP/MPO DIN Fiber Module, Multimode (OM1), LC Duplex	MTP-NANO-LC-LDMM
Nano MTP/MPO DIN Fiber Module, Multimode (OM3), LC Duplex	MTP-NANO-LC-LDMX
Nano MTP/MPO DIN Fiber Module, Singlemode, LC Duplex	MTP-NANO-LC-LDSM
Nano MTP/MPO DIN Fiber Module, Multimode (OM1), SC Duplex	MTP-NANO-SC-LDMM
Nano MTP/MPO DIN Fiber Module, Multimode (OM3), SC Duplex	MTP-NANO-SC-LDMX
Nano MTP/MPO DIN Fiber Module, Singlemode, SC Duplex	MTP-NANO-SC-LDSM
Nano MTP/MPO DIN Fiber Module, Multimode (OM1), ST Simplex	MTP-NANO-ST-LSMM
Nano MTP/MPO DIN Fiber Module, Singlemode, ST Simplex	MTP-NANO-ST-LSSM

## Contact

By Mail: Att: Sales  
RLH Industries, Inc.  
936 N. Main St.  
Orange, CA 92867

By Phone: Local 714-532-1672  
Sales / Service  
Mon - Fri, 6am - 6pm, PST Toll Free 800-877-1672  
866-DO-FIBER

By Email: [info@fiberopticlink.com](mailto:info@fiberopticlink.com)

By FAX: 714-532-1885

## Tech Support

By Email: [support@fiberopticlink.com](mailto:support@fiberopticlink.com)

By Phone: Toll Free 855-754-2497  
855-RLH-24X7