

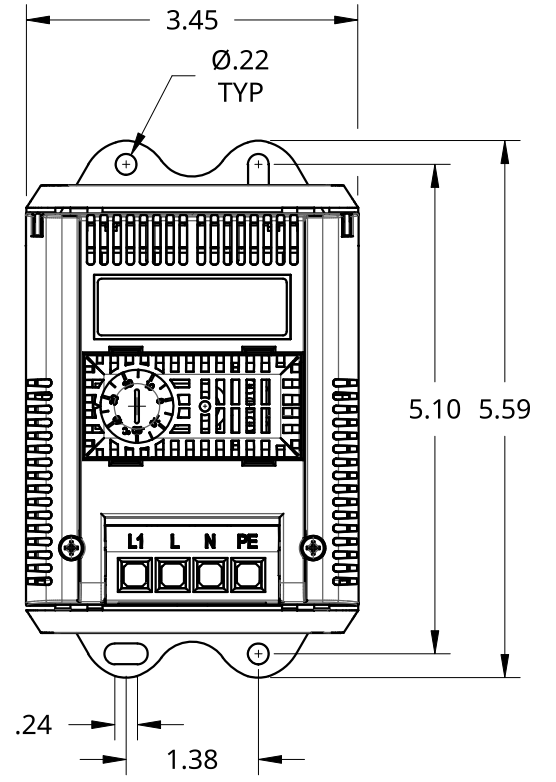
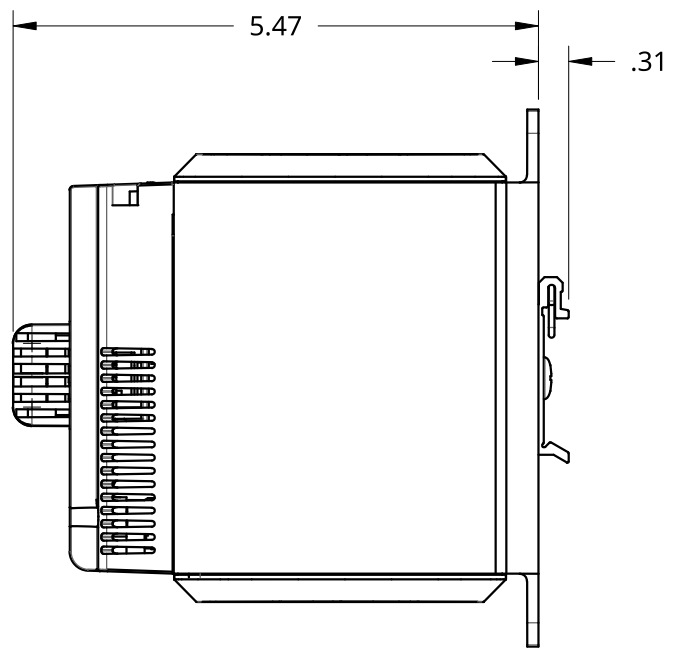
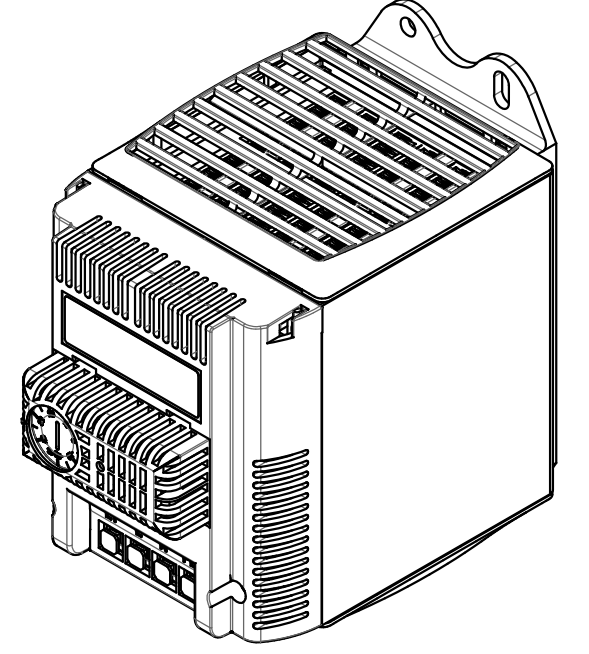
4

3

2

1

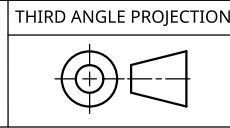
REV	ZONE	DESCRIPTION	DATE	APPROVED
A		INITIAL RELEASE	06/15/2026	KG



TITLE		200 WATT COMPACT HEATER, DIN/WALL MOUNTABLE, 115VAC PRODUCT LAYOUT		
SIZE	DWG NO.	REV.		
B	SD-104	A		
SCALE	WEIGHT	SHEET		
1:2		1 of 1		

**RLH**  
RLH Industries, Inc.

**FIBEROPTICLINK**



4

3

2

1

D

D

C

C

B

B

A

A