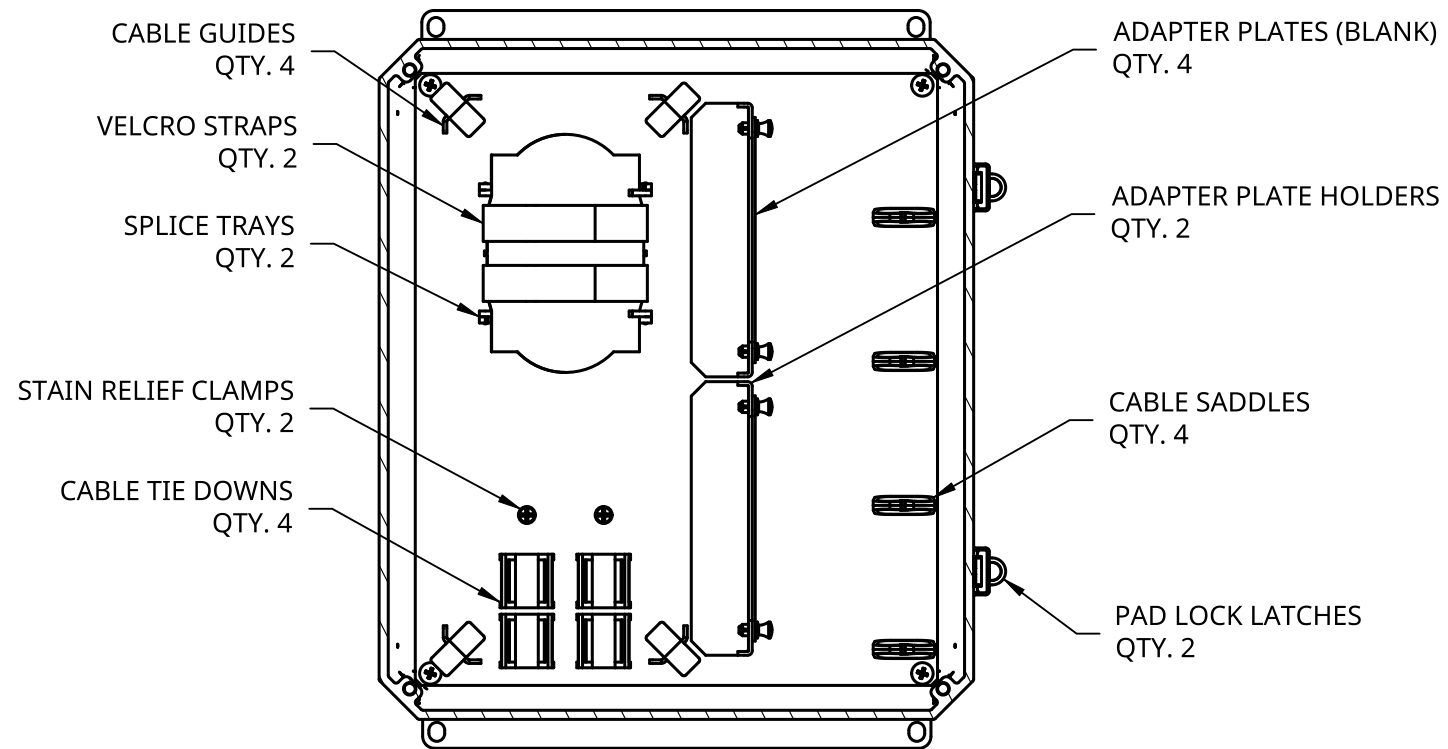
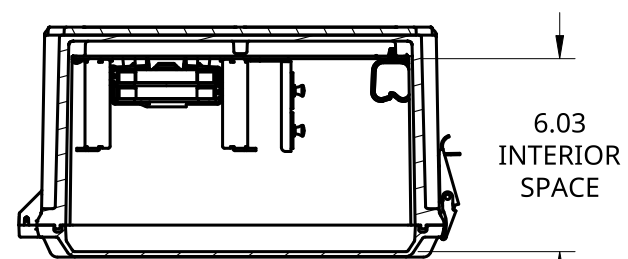


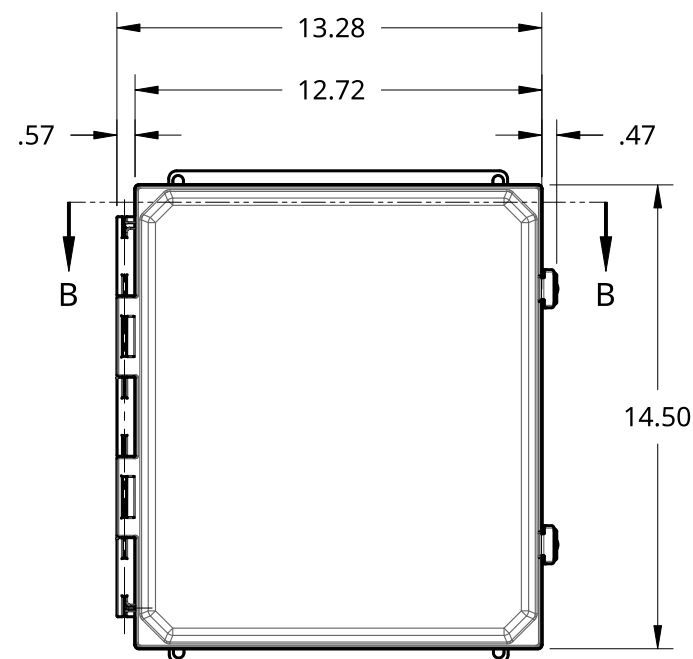
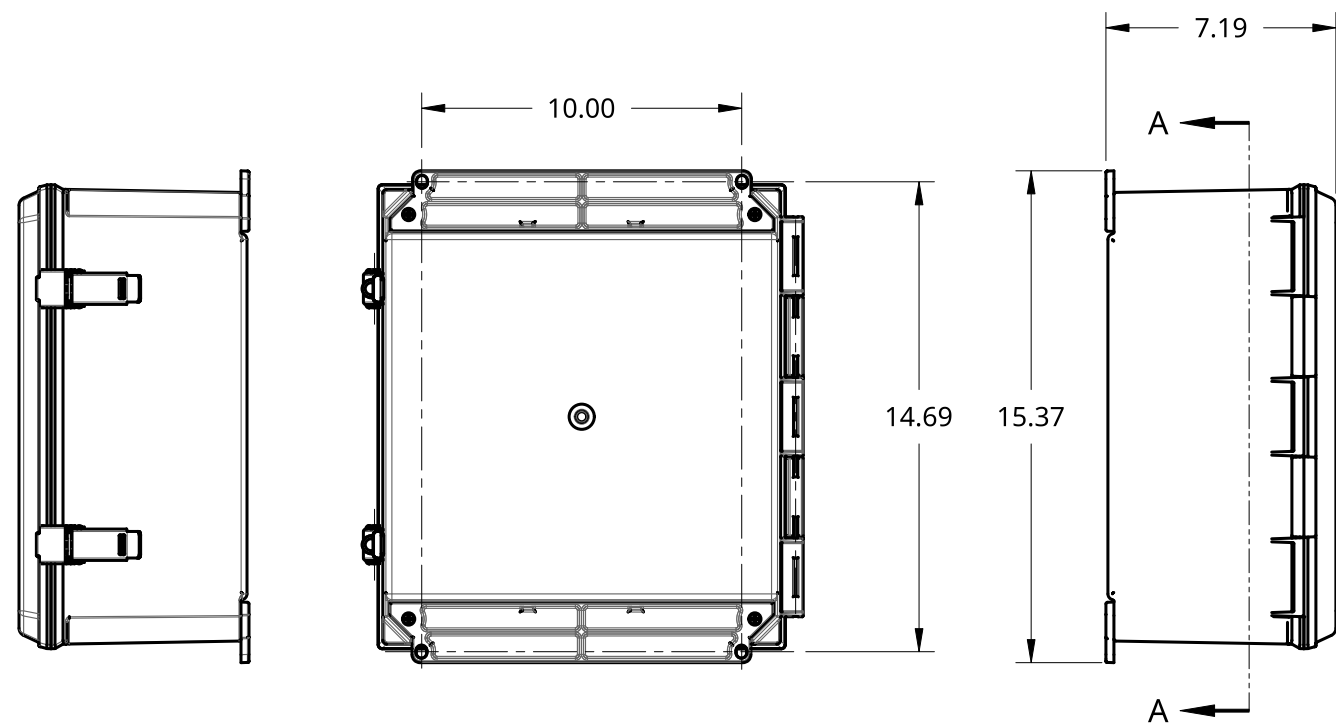
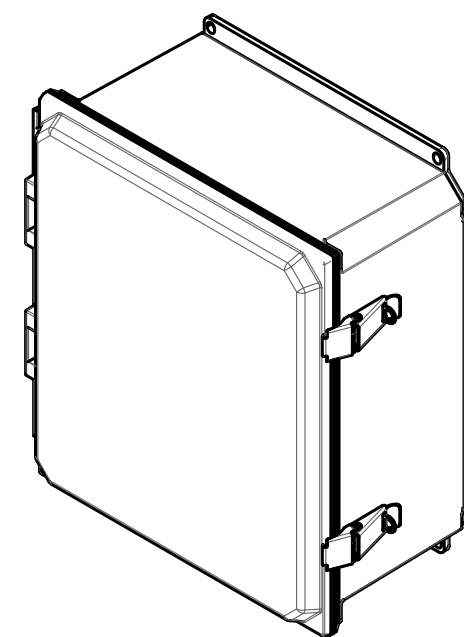
REV	Zone	DESCRIPTION	DATE	APPROVED
A		INITIAL RELEASE	03/25/2024	KG



SECTION A - A
INTERNAL VIEW & FEATURES
SCALE 1:4



SECTION B - B
INTERNAL VIEW

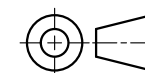


TITLE
**HIPPO4-1 - 4 PLATE OUTDOOR FIBER
PATCH PANEL**



FIBEROPTICLINK

THIRD ANGLE PROJECTION



SIZE
B

DWG NO.

AD-135

REV.

A

SCALE 1:6

DRAWN

KG

SHEET

1 of 1