

USER GUIDE

HIPPO 4 Plate Fiber Patch Panel

Hardened Infrastructure Fiber Patch Panel for Outside Plant

The RLH Hardened Infrastructure Patch Panel for Outside Plant (HIPPO) is an ideal solution for splicing and patching fiber optic cable where a weatherproof rating is desired. With substation, power plant, and extreme outdoor environments in mind, the HIPPO was designed to fit the needs of these demanding environments while at the same time being easy to install and modify.

This outdoor fiber solution is enclosed in a NEMA 4X, UL Listed, non-corrosive, non-conductive, light weight, and easy to modify polycarbonate enclosure. It's especially well suited for extreme temperatures and corrosive environments. It can be mounted with a nonmetal flange or an optional pole mount kit and is secured by two pad lockable snap latches.

It comes standard with 4 fiber adapter plate slots, fiber management cable guides, fiber splice trays, splice sleeves, distribution chart, cable mounting tie downs, and Velcro® straps for securing splice trays and fiber cable. The included accessory kit contains liquid tight break through plugs and cord grips, together with fiber strength member clamps allowing for the safe entrance and exit of fiber optic cable.

Fiber adapter plates may be ordered separately or preinstalled and are available with ST, SC, FC, LC, MTRJ, UPC and APC style adapters. When ordered using our configuration matrix, the Fiber Adapter Plates (grey) are preinstalled, and the Splice on Fiber Pigtailed are bundled with the patch panel for convenience.

Key Features

- Holds up to 4 LGX® adapter plates, blank adapter plates included
- NEMA 4X, UL Listed Enclosure, ready for outdoor installation
- Ready to patch or splice with included accessories
- Wall or Pole Mounted (with Optional pole mount kit)
- Easy to modify compared to metallic enclosures
- 2 Pad lockable latches for additional security
- Includes 2 strain relief clamps for securing entry cable
- Includes liquid tight cord grips & plugs
- Adapter plates may be removed with fibers attached



HIPPO 4 Plate Fiber Patch Panel



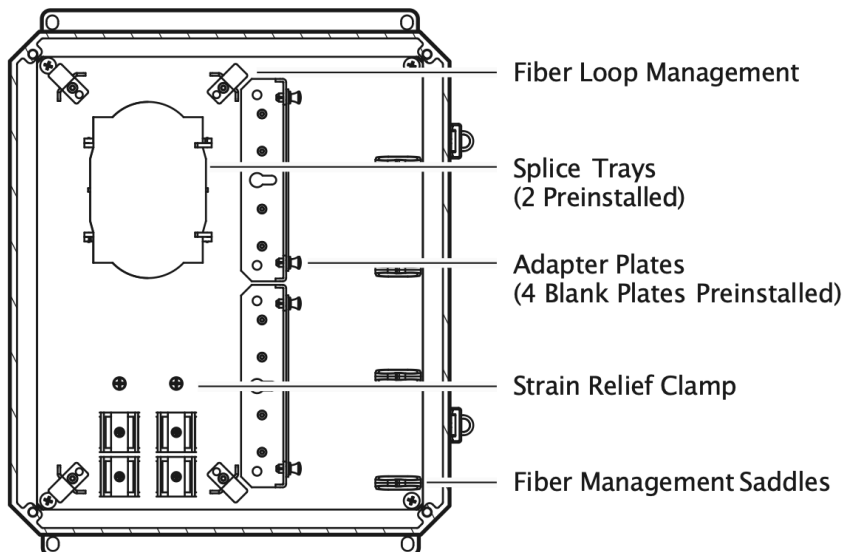
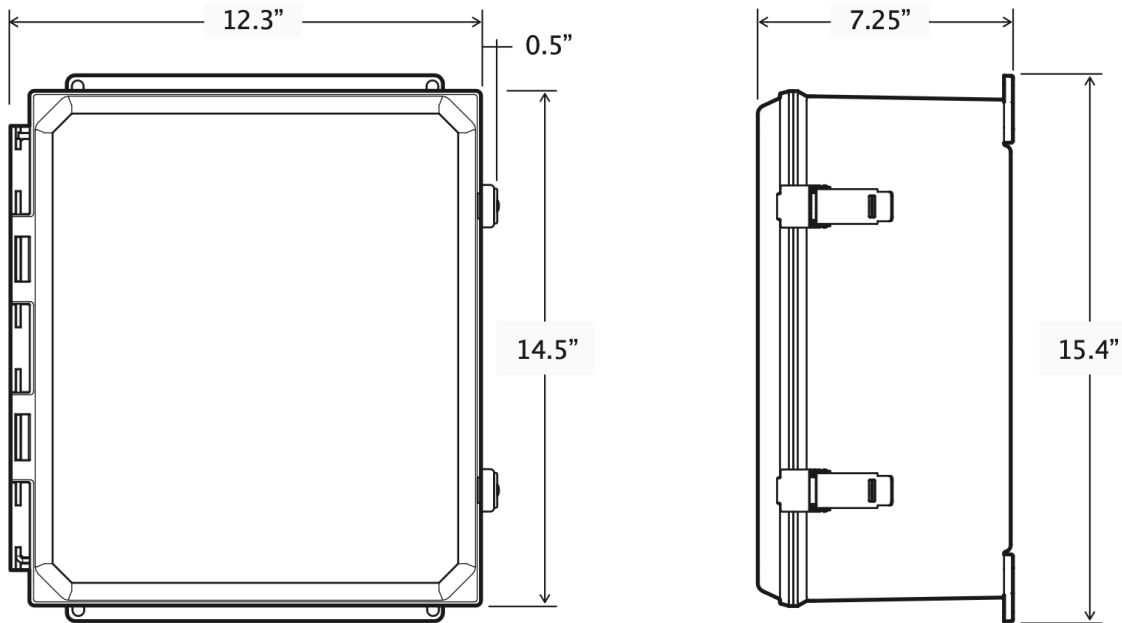
Accessory Kit

- Includes Velcro tie downs for fiber management
- Holds ST, SC, FC, LC, MTRJ, UPC, APC adapters
- Order preconfigured with fiber pigtailed included
- Made in USA

USER GUIDE

Dimensions & Components

The dimensional diagram below calls out important features of the Wall Mount Patch Panel.





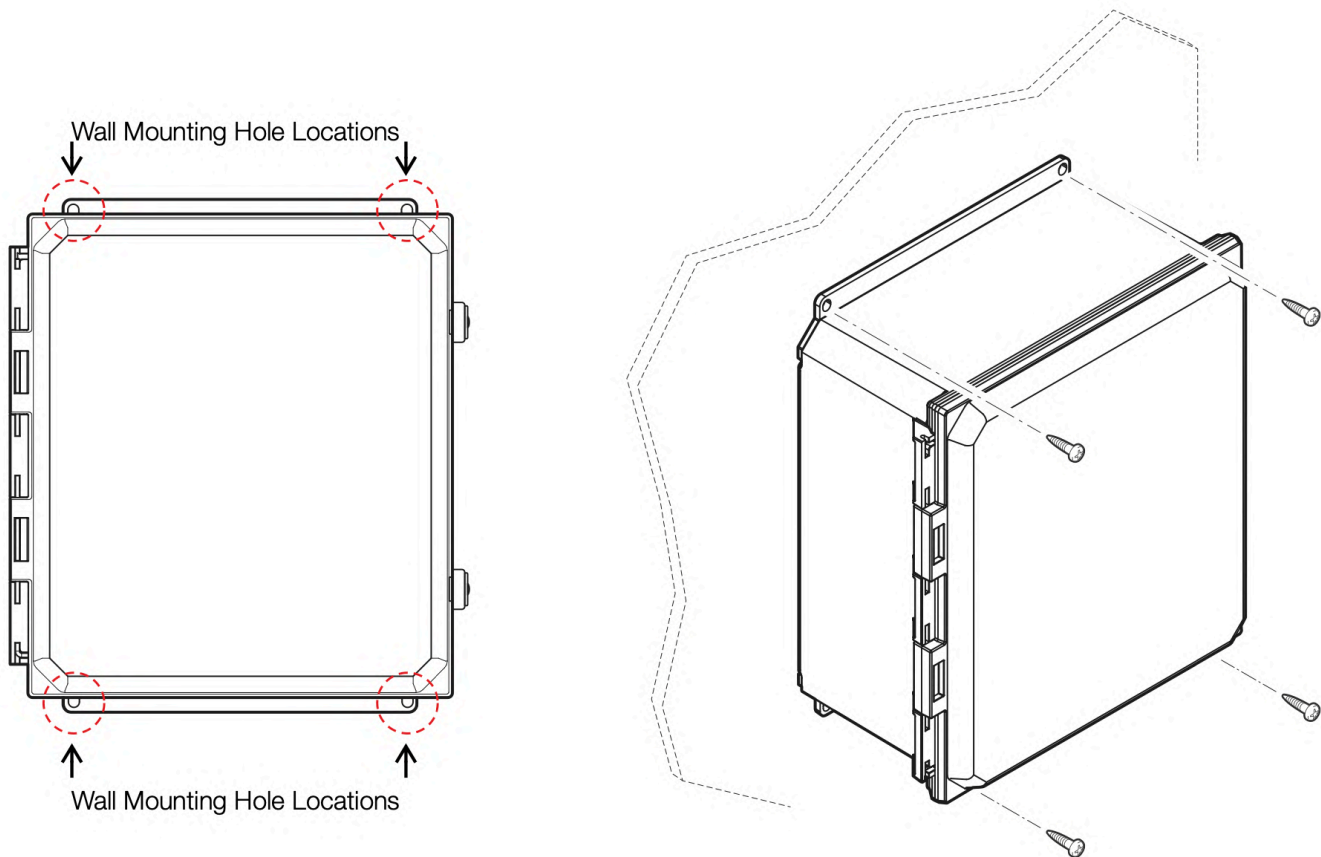
USER GUIDE

Installation

Choose a suitable location, with room for the door to open fully for easy access to the interior. Pre-position the patch panel to plan out cable routings and check for any potential problems with the location. The patch panel may be wall mounted, if pole mounting is needed an accessory pole mount kit is sold separately.

Wall Mounting

Once the position is determined, use a level and mark out the mounting points. Be sure to use the appropriate mounting hardware required for the installation location.



Cable Routing

Once the enclosure is properly mounted installation of either conduit fittings and/or the included liquid tight break through plugs and cord grips can proceed. Standard hole saw bits will easily penetrate the enclosure and allow for cable entry and exit. This enclosure is designed for entry cable to be routed up through the bottom, however distribution cable can exit through the bottom, side, or top, whichever provides the most convenience for the installation.

USER GUIDE

Ordering Information

Use the following part number when ordering the patch panel without fiber adapter plates or pigtails.

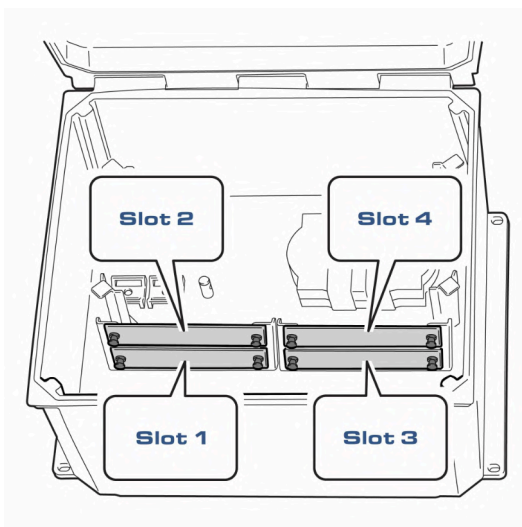
Description	Capacity	Dimensions	Part Number
Outdoor Wall Mount Patch Panel	4 Fiber Adapter Plates	12.8" (W) x 7.25" (D) x 15.4" (H)	HIPPO4-1

- Fiber adapter plates and/or pigtails can be ordered separately; plates can be preinstalled, while pigtails will be bundled

Description	Part Number
Pole Mount Kit for HIPPO4-1, Compatible with Pole Diameters up to 15"	PMK-141206-F-1

Ordering with Fiber Adapter Plates and Pigtails

Use the ordering code below to order the patch panel with fiber adapter plates preinstalled and/or pigtails included. Refer to the Fiber Adapter Plate Chart and the Fiber Pigtail Chart on the following pages.



Example #1: **H4 - 32 - 32 - 32 - 32 - 41 - 41 - 41 - 41 - 1**

Slot 1 (32):	AP-SC6-LDSM-G
Slot 2 (32):	AP-SC6-LDSM-G
Slot 3 (32):	AP-SC6-LDSM-G
Slot 4 (32):	AP-SC6-LDSM-G
Slot 1 (41):	RLH-12SMSC-03M
Slot 2 (41):	RLH-12SMSC-03M
Slot 3 (41):	RLH-12SMSC-03M
Slot 4 (41):	RLH-12SMSC-03M

H4 - XX - XX - XX - XX - XX - XX - XX - XX - XX - 1

Slot 1 Slot 2 Slot 3 Slot 4 | Slot 1 Slot 2 Slot 3 Slot 4

Fiber Adapter Plates

Use the code from the Adapter Plate Chart* to populate slots with adapter plates

Fiber Pigtails

Use the code from the Fiber Pigtail Chart* to have them bundled together with the patch panel

*Please refer to the **Fiber Adapter Plate Chart** and the **Fiber Pigtail Chart** on the following pages.

Ordering Information (cont'd)

Adapter Plate Chart

Use the Adapter Code to specify the desired plate style to be preinstalled.

Adapter	Mode	Adapter Plate Style				Supported Fiber Types	Grey Plate Part Number	Adapter Code
		Type	Fibers	Positions	Color			
Blank	-	-	-	-	-	-	AP-BLANK-G	00
ST	SM	Simplex	6	6	Yellow Caps	OS1/OS2	AP-ST6-LSSM-G	01
			12	12	Yellow Caps	OS1/OS2	AP-ST12-LSSM-G	03
	MM	Simplex	6	6	Black Caps	OM1~OM4	AP-ST6-LSMM-G	06
			12	12	Black Caps	OM1~OM4	AP-ST12-LSMM-G	08
FC	SM	Simplex	6	6	Yellow Caps	OS1/OS2	AP-FC6-LSSM-G	20
	MM	Simplex	6	6	Black Caps	OM1/OM2	AP-FC6-LSMM-G	23
FC/APC	SM	Simplex	6	6	Green Caps	OS1/OS2	AP-FA6-LSSM-G	26
SC	SM	Simplex	6	6	■ blue	OS1/OS2	AP-SC6-LSSM-G	30
		Duplex	12	6	■ blue	OS1/OS2	AP-SC6-LDSM-G	32
	MM	Simplex	6	6	■ beige	OM1/OM2	AP-SC6-LSMM-G	33
		Duplex	12	6	■ beige	OM1/OM2	AP-SC6-LDMM-G	35
SC/APC	SM	Simplex	6	6	■ green	OS1/OS2	AP-SA6-LSSM-G	36
		Duplex	12	6	■ green	OS1/OS2	AP-SA6-LDSM-G	38
SC 10G	MM	Simplex	6	6	■ aqua	OM3/OM4	AP-SC6-LSMX-G	39
		Duplex	12	6	■ aqua	OM3/OM4	AP-SC6-LDMX-G	41
LC	SM	Duplex	6	3	■ blue	OS1/OS2	AP-LC3-LDSM-G	51
			12	6	■ blue	OS1/OS2	AP-LC6-LDSM-G	52
			24	6	■ blue	OS1/OS2	AP-LC6-LQSM-G	54
	MM	Duplex	6	3	■ beige	OM1/OM2	AP-LC3-LDMM-G	56
			12	6	■ beige	OM1/OM2	AP-LC6-LDMM-G	57
			24	6	■ beige	OM1/OM2	AP-LC6-LQMM-G	59
LC/APC	SM	Duplex	6	3	■ green	OS1/OS2	AP-LA3-LDSM-G	61
			12	6	■ green	OS1/OS2	AP-LA6-LDSM-G	62
			24	6	■ green	OS1/OS2	AP-LA6-LQSM-G	64
LC 10 GIG	MM	Duplex	6	3	■ aqua	OM3/OM4	AP-LC3-LDMX-G	66
			12	6	■ aqua	OM3/OM4	AP-LC6-LDMX-G	67
			24	6	■ aqua	OM3/OM4	AP-LC6-LQMX-G	69
CAT6 RJ-45	-	Coupler	-	4	-	-	AP-RJCAT6-CP4-G	90
		Punchdown	-	4	-	-	AP-RJCAT6-PD4-G	91

Ordering Information (cont'd)

Fiber Pigtail Chart

Use the Pigtail Code to specify the desired 900µm Spiral Wrap Splice-on Fiber Pigtail to be included.

900µm Spiral Wrap Splice-on Pigtail				Part Number	Pigtail Code			
Adapter	Mode	Fibers	Fiber Type					
N/A	N/A	N/A	N/A	NONE	00			
ST	SM	6	OS1/OS2	RLH-06SMST-03M	01			
		12	OS1/OS2	RLH-12SMST-03M	02			
	MM	6		OM1	RLH-06MMST-03M	06		
				OM2	RLH-06M5ST-03M	07		
				OM3	RLH-06MXST-03M	08		
				OM4	RLH-06MCST-03M	09		
		12		OM1	RLH-12MMST-03M	12		
				OM2	RLH-12M5ST-03M	13		
				OM3	RLH-12MXST-03M	14		
				OM4	RLH-12MCST-03M	15		
			FC	SM	6	OS1/OS2	RLH-06SMFC-03M	20
					12	OS1/OS2	RLH-12SMFC-03M	21
MM	6			OM1	RLH-06MMFC-03M	23		
				OM2	RLH-06M5FC-03M	24		
				OM3	RLH-06MXFC-03M	25		
				OM4	RLH-06MCFC-03M	26		
	12			OM1	RLH-12MMFC-03M	28		
				OM2	RLH-12M5FC-03M	29		
				OM3	RLH-12MXFC-03M	30		
				OM4	RLH-12MCFC-03M	31		
		FC/APC		SM	6	OS1/OS2	RLH-06SMFA-03M	33
					12	OS1/OS2	RLH-12SMFA-03M	34
SC	SM	6	OS1/OS2	RLH-06SMSC-03M	40			
		12	OS1/OS2	RLH-12SMSC-03M	41			
	MM	6		OM1	RLH-06MMSC-03M	43		
				OM2	RLH-06M5SC-03M	44		
				OM3	RLH-06MXSC-03M	45		
				OM4	RLH-06MCSC-03M	46		
		12		OM1	RLH-12MMSC-03M	48		
				OM2	RLH-12M5SC-03M	49		
				OM3	RLH-12MXSC-03M	50		
				OM4	RLH-12MCSC-03M	51		
			SC/APC	SM	6	OS1/OS2	RLH-06SMSA-03M	53
					12	OS1/OS2	RLH-12SMSA-03M	54
LC	SM	6	OS1/OS2	RLH-06SMLC-03M	60			
		12	OS1/OS2	RLH-12SMLC-03M	61			
		24	OS1/OS2	RLH-12SMLC-03M (2)	62			
	MM	6		OM1	RLH-06MMLC-03M	63		
				OM2	RLH-06M5LC-03M	64		
				OM3	RLH-06MXLC-03M	65		
				OM4	RLH-06MCLC-03M	66		
		12		OM1	RLH-12MMLC-03M	68		
				OM2	RLH-12M5LC-03M	69		
				OM3	RLH-12MXLC-03M	70		
				OM4	RLH-12MCLC-03M	71		
			24		OM1	RLH-12MMLC-03M (2)	73	
					OM2	RLH-12M5LC-03M (2)	74	
					OM3	RLH-12MXLC-03M (2)	75	
					OM4	RLH-12MCLC-03M (2)	76	
	LC/APC	SM	6	OS1/OS2	RLH-06SMLA-03M	78		
			12	OS1/OS2	RLH-12SMLA-03M	79		
			24	OS1/OS2	RLH-12SMLA-03M (2)	80		

USER GUIDE

Key Specifications

Adapter Plates:	Holds 4 LGX® plates Up to 24 Fibers each plate *Ordered Separately
Splice Trays:	Qty. 2 – 24 position
Mounting Style:	Wall or pole mount (with optional pole mount kit)
Environmental:	Indoor or outdoor use: NEMA types 1, 2, 3, 3R, 4, 4X, 12 and 13
Construction:	Injection molded polycarbonate thermoplastic
Accessory Kit:	Qty. 50 – Splice Sleeves Qty. 1 – 36" x 1/2" Velcro® for securing fiber Qty. 6 – Cable Ties Qty. 4 – Liquid Tight Cord grip, cable diameter .250" - .490" Qty. 2 – Liquid Tight Break-Thru plugs, cable diameter .200" - .715" Qty. 2 – Distribution Chart Label, 24 Fiber
Dimensions:	12.8" (W) x 7.25" (D) x 15.4" (H), (325mm x 184mm x 391mm)

Contact

By Mail:	Att: Sales RLH Industries, Inc. 936 N. Main St. Orange, CA 92867
By Phone: Sales / Service Mon - Fri, 6am - 6pm, PST	Local 714-532-1672 Toll Free 800-877-1672 866-DO-FIBER
By Email:	info@fiberopticlink.com
By FAX:	714-532-1885

Tech Support

By Email:	support@fiberopticlink.com
By Phone:	Toll Free 855-754-2497 855-RLH-24X7