



HIPPO 4 Plate Fiber Patch Panel

Hardened Infrastructure Fiber Patch Panel for Outside Plant

The RLH Hardened Infrastructure Patch Panel for Outside Plant (HIPPO) is an ideal solution for splicing and patching fiber optic cable where a weatherproof rating is desired. With substation, power plant, and extreme outdoor environments in mind, the HIPPO was designed to fit the needs of these demanding environments while at the same time being easy to install and modify.

This outdoor fiber solution is enclosed in a NEMA 4X, UL Listed, non-corrosive, non-conductive, light weight, and easy to modify polycarbonate enclosure. It's especially well suited for extreme temperatures and corrosive environments. It can be mounted with a nonmetal flange or an optional pole mount kit and is secured by two pad lockable snap latches.

It comes standard with 4 fiber adapter plate slots, fiber management cable guides, fiber splice trays, splice sleeves, distribution chart, cable mounting tie downs, and Velcro® straps for securing splice trays and fiber cable. The included accessory kit contains liquid tight break through plugs and cord grips, together with fiber strength member clamps allowing for the safe entrance and exit of fiber optic cable.

Fiber adapter plates may be ordered separately or preinstalled and are available with ST, SC, FC, LC, MTRJ, UPC and APC style adapters. When ordered using our configuration matrix, the Fiber Adapter Plates (grey) are preinstalled, and the Splice on Fiber Pigtails are bundled with the patch panel for convenience.

Key Features

- Holds up to 96 fibers using 4 LGX® adapter plates
- NEMA 4X polycarbonate enclosure for harsh outdoor environments
- Accessory kit includes liquid-tight break-through plugs and cord grips
- Hinged, padlockable door with quick-access latches
- Integrated fiber management
- Includes fiber strength member clamps
- Supports ST, SC, FC, LC, MTRJ, UPC & APC adapters
- Made in USA



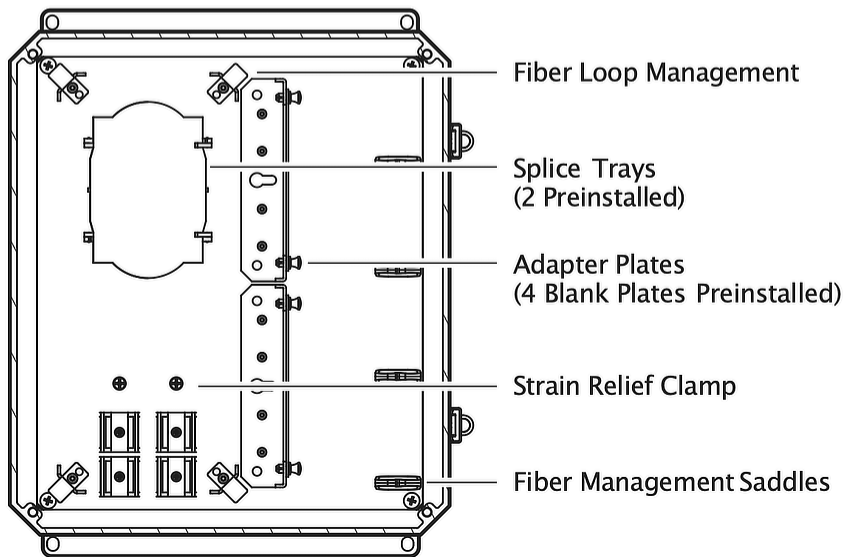
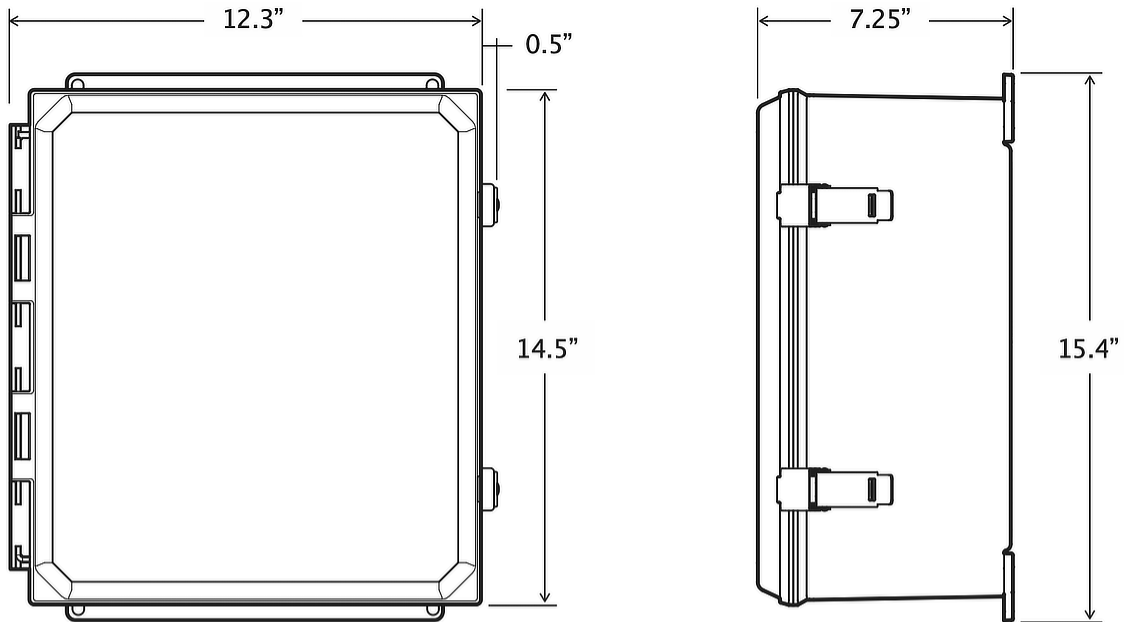
Hippo 4 Plate Fiber Patch Panel



Accessory Kit

Dimensions & Components

The dimensional diagram below calls out important features of the Wall Mount Patch Panel.

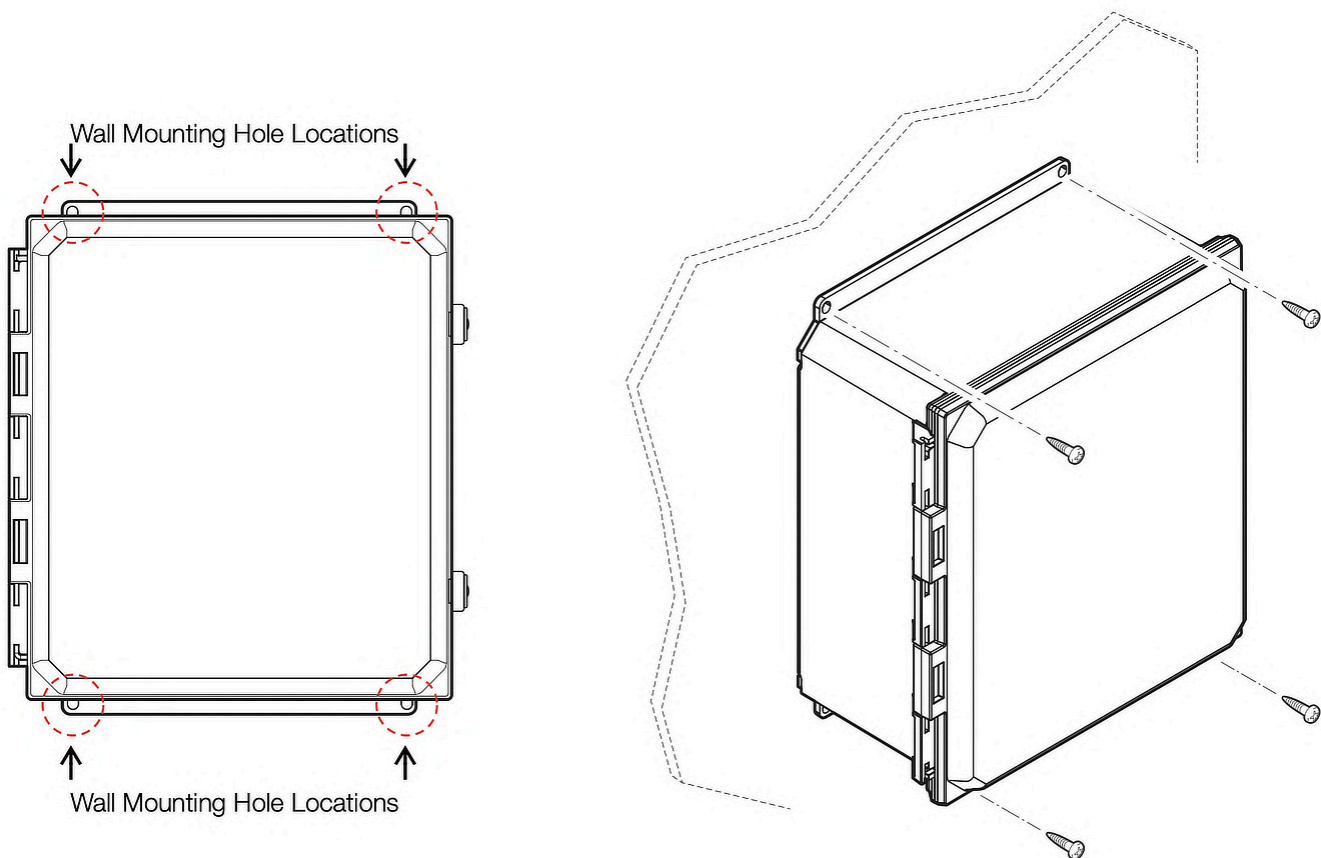


Installation

Choose a suitable location, with room for the door to open fully for easy access to the interior. Pre-position the patch panel to plan out cable routings and check for any potential problems with the location. The patch panel may be wall mounted, if pole mounting is needed an accessory pole mount kit is sold separately.

Wall Mounting

Once the position is determined, use a level and mark out the mounting points. Be sure to use the appropriate mounting hardware required for the installation location.



Cable Routing

Once the enclosure is properly mounted installation of either conduit fittings and/or the included liquid tight break through plugs and cord grips can proceed. Standard hole saw bits will easily penetrate the enclosure and allow for cable entry and exit. This enclosure is designed for entry cable to be routed up through the bottom, however distribution cable can exit through the bottom, side, or top, whichever provides the most convenience for the installation.

Ordering Information

Use the following part number when ordering the patch panel without fiber adapter plates or pigtailed.

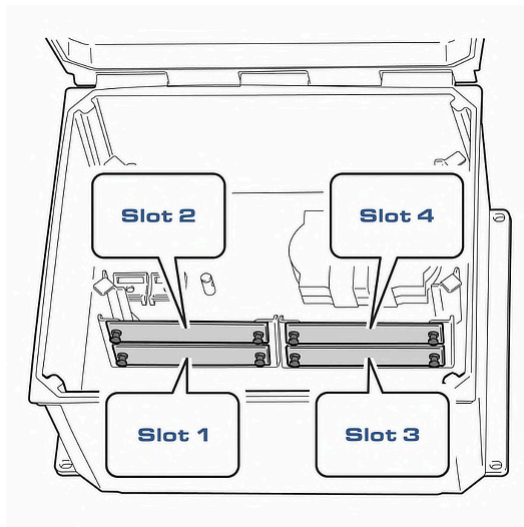
Description	Capacity	Dimensions	Part Number
Outdoor Wall Mount Patch Panel	4 Adapter Plates	12.8" (W) x 7.25" (D) x 15.4" (H)	HIPPO4-1

- Fiber adapter plates and/or pigtailed can be ordered separately; plates can be preinstalled, while pigtailed will be bundled

Description	Part Number
Pole Mount Kit for HIPPO4-1, Compatible with Pole Diameters up to 15"	PMK-141206-F-1

Ordering with Fiber Adapter Plates, Fiber Pigtailed and Splice Trays

Use the ordering code below to order the patch panel with any combination of a preinstalled adapter plates, fiber pigtailed and splice trays. Refer to the Fiber Adapter Plate Chart and Fiber Pigtail Chart on the following pages.



Example #1: **H4 - 32 - 32 - 32 - 32 - 41 - 41 - 41 - 41 - 1**

Slot 1 (32):	AP-SC6-LDSM-G
Slot 2 (32):	AP-SC6-LDSM-G
Slot 3 (32):	AP-SC6-LDSM-G
Slot 4 (32):	AP-SC6-LDSM-G
Slot 1 (41):	RLH-12SMSC-03M
Slot 2 (41):	RLH-12SMSC-03M
Slot 3 (41):	RLH-12SMSC-03M
Slot 4 (41):	RLH-12SMSC-03M



Fiber Adapter Plates
Use the code from the Adapter Plate Chart* to populate slots with adapter plates

Fiber Pigtailed
Use the code from the Fiber Pigtail Chart* to have them bundled together with the patch panel

*Please refer to the **Fiber Adapter Plate Chart** and **Fiber Pigtail Chart** on the following pages

Ordering Information (cont'd)

Adapter Plate Chart

Use the Adapter Code to specify the desired plate style to be preinstalled.

Adapter Plate Style						Supported Fiber Types	Gray Plate Part Number	Adapter Code
Adapter	Mode	Type	Fibers	Positions	Color			
Blank	-	-	-	-	-	-	AP-BLANK-G	00
ST	SM	Simplex	6	6	Yellow Caps	OS1/OS2	AP-ST6-LSSM-G	01
			12	12	Yellow Caps	OS1/OS2	AP-ST12-LSSM-G	03
	MM	Simplex	6	6	Black Caps	OM1~OM4	AP-ST6-LSMM-G	06
			12	12	Black Caps	OM1~OM4	AP-ST12-LSMM-G	08
FC	SM	Simplex	6	6	Yellow Caps	OS1/OS2	AP-FC6-LSSM-G	20
	MM		6	6	Black Caps	OM1/OM2	AP-FC6-LSMM-G	23
FC/APC	SM	Simplex	6	6	Green Caps	OS1/OS2	AP-FA6-LSSM-G	26
SC	SM	Simplex	6	6	■ blue	OS1/OS2	AP-SC6-LSSM-G	30
	SM		6	3	■ blue	OS1/OS2	AP-SC3-LDSM-G	43
	SM	Duplex	12	6	■ blue	OS1/OS2	AP-SC6-LDSM-G	32
	MM		6	6	■ beige	OM1/OM2	AP-SC6-LSMM-G	33
	MM	Duplex	6	3	■ beige	OM1/OM2	AP-SC3-LDMM-G	44
	MM		12	6	■ beige	OM1/OM2	AP-SC6-LDMM-G	35
SC/APC	SM	Simplex	6	6	■ green	OS1/OS2	AP-SA6-LSSM-G	36
	SM		6	3	■ green	OS1/OS2	AP-SA3-LSSM-G	45
	SM	Duplex	12	6	■ green	OS1/OS2	AP-SA6-LDSM-G	38
SC 10G	MM	Simplex	6	6	■ aqua	OM3/OM4	AP-SC6-LSMX-G	39
	MM		6	3	■ aqua	OM3/OM4	AP-SC3-LSMX-G	42
	MM	Duplex	12	6	■ aqua	OM3/OM4	AP-SC6-LDMX-G	41
LC	SM	Duplex	6	3	■ blue	OS1/OS2	AP-LC3-LDSM-G	51
			12	6	■ blue	OS1/OS2	AP-LC6-LDSM-G	52
		Quad	24	6	■ blue	OS1/OS2	AP-LC6-LQSM-G	54
	MM	Duplex	6	3	■ beige	OM1/OM2	AP-LC3-LDMM-G	56
			12	6	■ beige	OM1/OM2	AP-LC6-LDMM-G	57
Quad		24	6	■ beige	OM1/OM2	AP-LC6-LQMM-G	59	
LC/APC	SM	Duplex	6	3	■ green	OS1/OS2	AP-LA3-LDSM-G	61
			12	6	■ green	OS1/OS2	AP-LA6-LDSM-G	62
		Quad	24	6	■ green	OS1/OS2	AP-LA6-LQSM-G	64
LC 10G	MM	Duplex	6	3	■ aqua	OM3/OM4	AP-LC3-LDMX-G	66
			12	6	■ aqua	OM3/OM4	AP-LC6-LDMX-G	67
		Quad	24	6	■ aqua	OM3/OM4	AP-LC6-LQMX-G	69
Unshielded CAT6 RJ-45	-	Coupler	-	4	■ black	-	AP-RJCAT6-CP4-G	90
	-	Punchdown	-	4	■ black	-	AP-RJCAT6-PD4-G	91
	-	Coupler	-	6	■ black	-	AP-RJCAT6-CP6-G	92
Shielded CAT6 RJ-45	-	Coupler	-	4	■ Metallic	-	AP-RJCAT6S-CP4-G	94
	-	Punchdown	-	4	■ Metallic	-	AP-RJCAT6S-PD4-G	95
	-	Coupler	-	6	■ Metallic	-	AP-RJCAT6S-CP6-G	97
	-	Punchdown	-	6	■ Metallic	-	AP-RJCAT6S-PD6-G	98



Ordering Information (cont'd)

Fiber Pigtail Chart

Use the Pigtail Code to specify the desired 900µm Spiral Wrap Splice-on Fiber Pigtail to be included

900µm Spiral Wrap Splice-on Pigtail				Part Number	Pigtail Code			
Adapter	Mode	Fibers	Fiber Type					
N/A	N/A	N/A	N/A	NONE	00			
ST	SM	6	OS1/OS2	RLH-06SMST-03M	01			
		12	OS1/OS2	RLH-12SMST-03M	02			
	MM	6		OM1	RLH-06MMST-03M	06		
				OM2	RLH-06M5ST-03M	07		
				OM3	RLH-06MXST-03M	08		
				OM4	RLH-06MCST-03M	09		
		12		OM1	RLH-12MMST-03M	12		
				OM2	RLH-12M5ST-03M	13		
				OM3	RLH-12MXST-03M	14		
				OM4	RLH-12MCST-03M	15		
		FC	SM	6	OS1/OS2	RLH-06SMFC-03M	20	
				12	OS1/OS2	RLH-12SMFC-03M	21	
			MM	6		OM1	RLH-06MMFC-03M	23
						OM2	RLH-06M5FC-03M	24
	OM3				RLH-06MXFC-03M	25		
	OM4				RLH-06MCFC-03M	26		
12				OM1	RLH-12MMFC-03M	28		
				OM2	RLH-12M5FC-03M	29		
				OM3	RLH-12MXFC-03M	30		
				OM4	RLH-12MCFC-03M	31		
FC/APC	SM	6	OS1/OS2	RLH-06SMFA-03M	33			
		12	OS1/OS2	RLH-12SMFA-03M	34			
SC	SM	6	OS1/OS2	RLH-06SMSC-03M	40			
		12	OS1/OS2	RLH-12SMSC-03M	41			
	MM	6		OM1	RLH-06MMSC-03M	43		
				OM2	RLH-06M5SC-03M	44		
				OM3	RLH-06MXSC-03M	45		
				OM4	RLH-06MCSC-03M	46		
		12		OM1	RLH-12MMSC-03M	48		
				OM2	RLH-12M5SC-03M	49		
				OM3	RLH-12MXSC-03M	50		
				OM4	RLH-12MCSC-03M	51		
SC/APC	SM	6	OS1/OS2	RLH-06SMSA-03M	53			
		12	OS1/OS2	RLH-12SMSA-03M	54			
LC	SM	6	OS1/OS2	RLH-06SMLC-03M	60			
		12	OS1/OS2	RLH-12SMLC-03M	61			
		24	OS1/OS2	RLH-12SMLC-03M (2)	62			
	MM	6		OM1	RLH-06MMLC-03M	63		
				OM2	RLH-06M5LC-03M	64		
				OM3	RLH-06MXLC-03M	65		
				OM4	RLH-06MCLC-03M	66		
		12		OM1	RLH-12MMLC-03M	68		
				OM2	RLH-12M5LC-03M	69		
				OM3	RLH-12MXLC-03M	70		
				OM4	RLH-12MCLC-03M	71		
LC/APC	SM	6	OS1/OS2	RLH-06SMLA-03M	78			
		12	OS1/OS2	RLH-12SMLA-03M	79			
		24	OS1/OS2	RLH-12SMLA-03M (2)	80			



Key Specifications

Adapter Plates	Holds up to 4 LGX® plates Up to 96 Fibers (24 Fibers each plate)* <i>*Ordered Separately</i>
Splice Tray	Qty. 2 – 24 position
Mounting Style	Wall or pole mount (with optional pole mount kit)
Environment	Indoor or outdoor use: NEMA types 1, 2, 3, 3R, 4, 4X, 12 and 13
Construction	Injection molded polycarbonate thermoplastic
Accessory Kit	Qty. 50 – Splice Sleeves
	Qty. 1 – 36" x 1/2" Velcro® for securing fiber
	Qty. 6 – Cable Ties
	Qty. 4 – Liquid Tight Cord grip, cable diameter .250" - .490"
	Qty. 2 – Liquid Tight Break-Thru plugs, cable diameter .200" - .715"
	Qty. 2 – Distribution Chart Label, 24 Fiber
Dimensions	12.8" (W) x 7.25" (D) x 15.4" (H), (325mm x 184mm x 391mm) <i>*Not including latches or grommets</i>

Contact

By Mail:	ATTN: Sales	
	RLH Industries, Inc.	
	936 N. Main Street	
	Orange, CA 92867	
By Phone:	Local	714-532-1672
Sales/Service	Toll Free	800-877-1672
By Email:	info@fiberopticlink.com	
By Fax:	714-532-1885	

Support

By Email:	support@fiberopticlink.com
By Phone:	Toll Free 855-754-2497

