

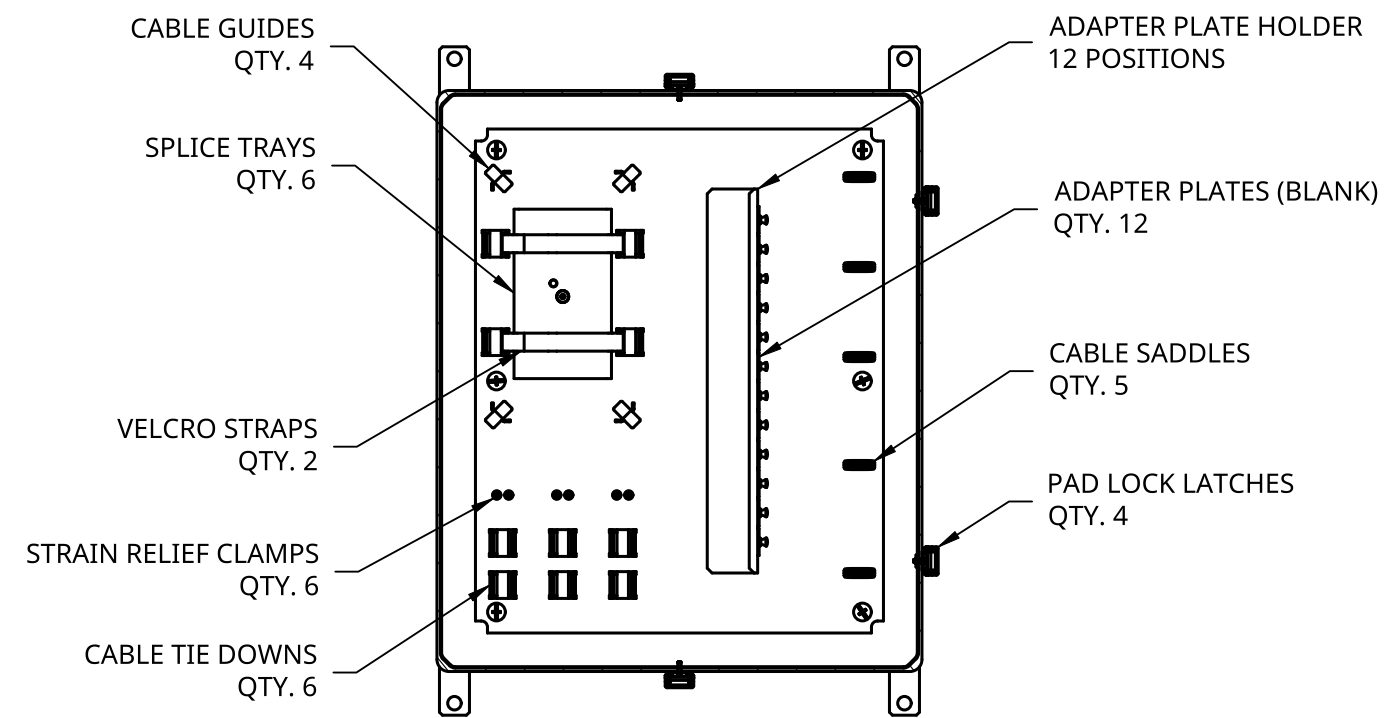
4

3

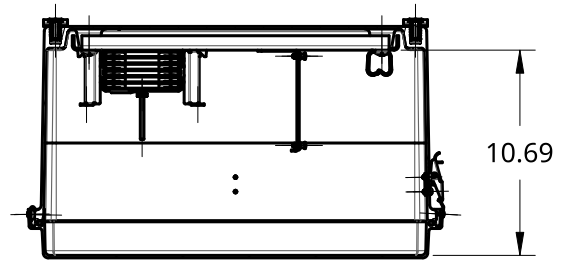
2

1

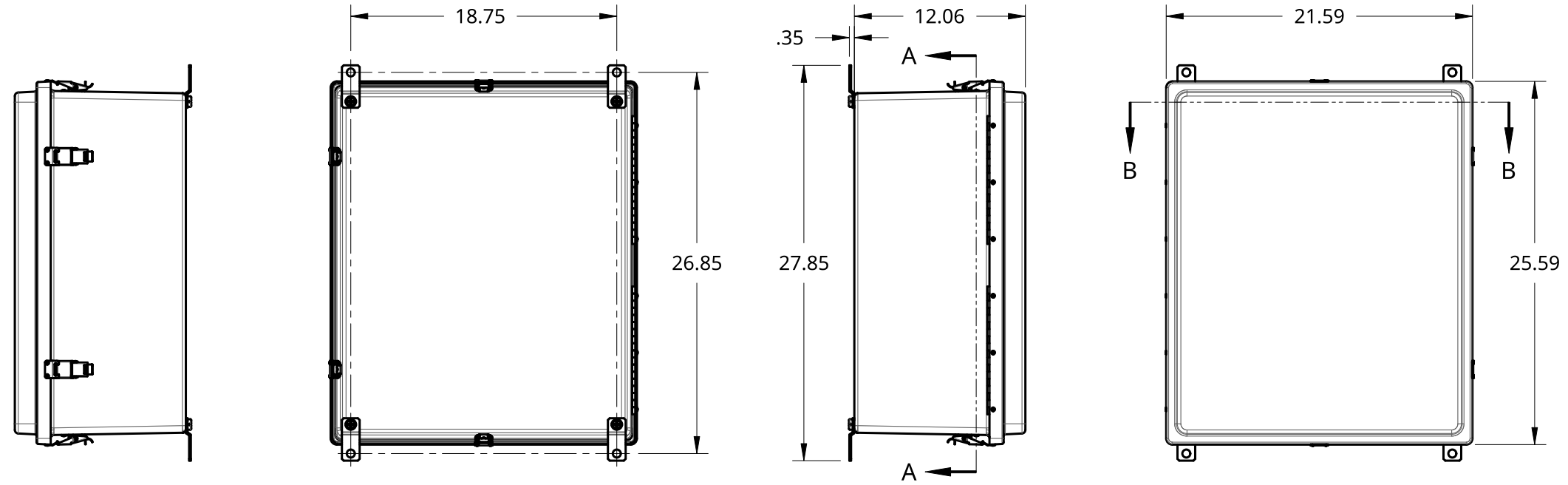
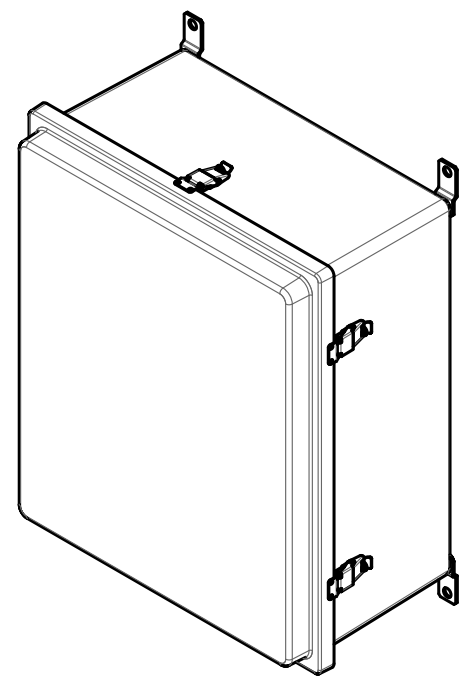
REV	Zone	DESCRIPTION	DATE	APPROVED
A		INITIAL RELEASE	03/26/2024	KG



SECTION A - A
INTERNAL VIEW & FEATURES
SCALE 1:8



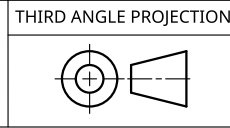
SECTION B - B
INTERNAL VIEW



TITLE				
HIPPO12-1 - 12 PLATE OUTDOOR FIBER PATCH PANEL				



FIBEROPTICLINK



SIZE	DWG NO.	REV.
B	AD-136	A
SCALE	DRAWN	SHEET
1:10	KG	1 of 1

4

3

2

1