

## HIPPO 12 Plate Fiber Patch Panel

### Hardened Infrastructure Fiber Patch Panel for Outside Plant

The RLH Hardened Infrastructure Patch Panel for Outside Plant (HIPPO) is an ideal solution for splicing and patching fiber optic cable where a weatherproof rating is desired. With substation, power plant, and extreme outdoor environments in mind, the HIPPO was designed to fit the needs of these demanding environments while at the same time being easy to install and modify.

This outdoor fiber solution is enclosed in a NEMA 4X, UL Listed, non-corrosive, non-conductive, light weight, and easy to modify fiberglass enclosure. It's especially well suited for extreme temperatures and corrosive environments. It can be wall mounted with its included mounting feet or pole mounted with an optional pole mount kit. It is secured by two pad lockable snap latches.

It comes standard with 12 fiber adapter plate slots, fiber management cable guides, fiber splice trays, splice sleeves, document holder, distribution chart, cable mounting tiedowns, and Velcro® straps for securing splice trays and fiber cable. The included accessory kit contains liquid tight break through plugs and cord grips, together with fiber strength member clamps allowing for the safe entrance and exit of fiber optic cable.

Fiber adapter plates may be ordered separately or preinstalled and are available with ST, SC, FC, LC, MTRJ, UPC and APC style adapters. When ordered using our configuration matrix, the Fiber Adapter Plates and Splice on Fiber Pigtails are preinstalled for convenience.

### Key Features

- Holds up to 12 LGX® adapter plates, blank adapter plates included
- NEMA 4X, UL Listed Enclosure, ready for outdoor installation
- Ready to patch or splice with included accessories
- Wall or Pole Mounted (with Optional pole mount kit)
- Easy to modify compared to metallic enclosures
- 2 Pad lockable latches for additional security
- Includes 6 strain relief clamps for securing entry cable
- Includes liquid tight cord grips & plugs
- Adapter plates may be removed with fibers attached



HIPPO 12 Plate Fiber Patch Panel



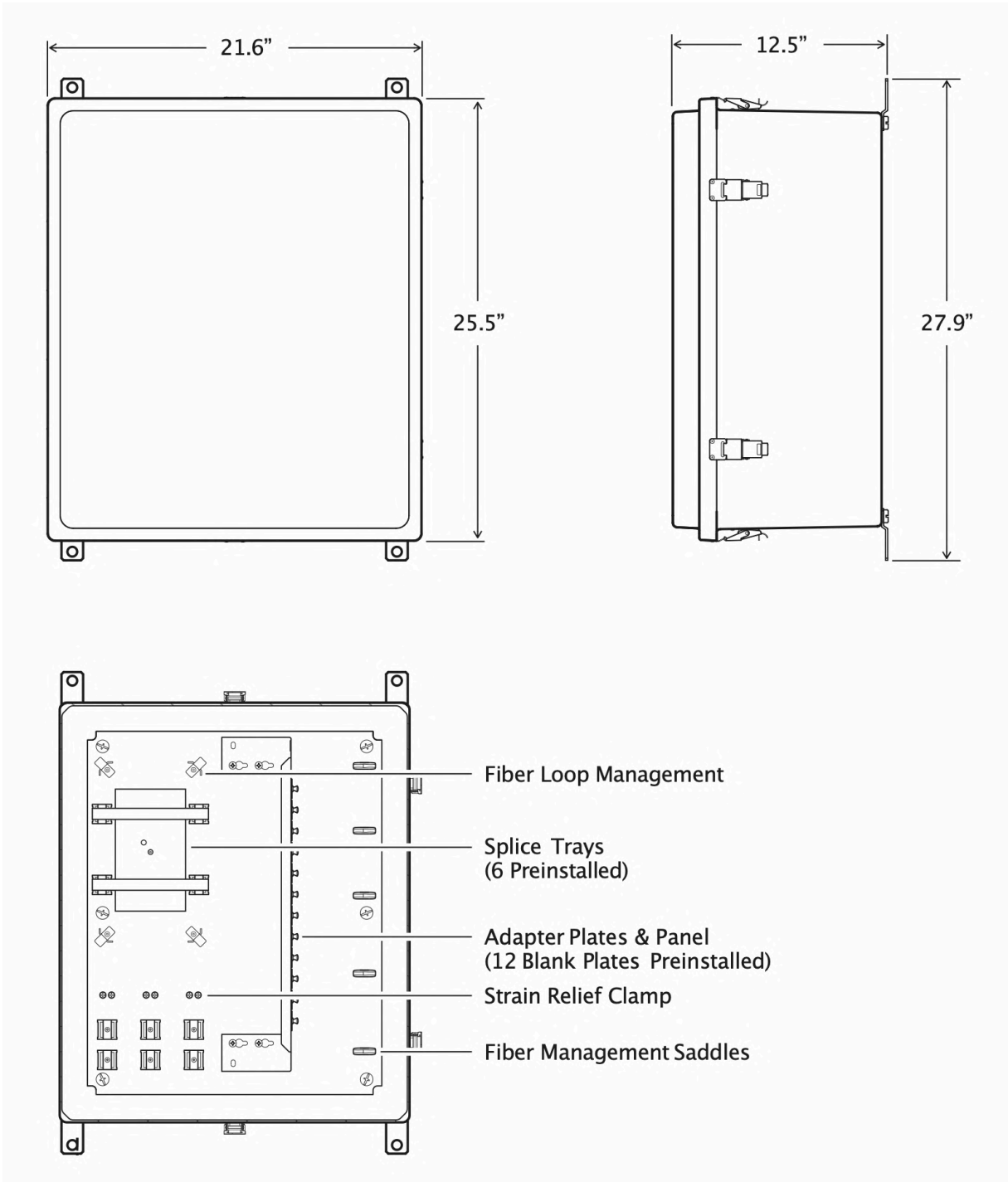
Accessory Kit

- Includes Velcro tie downs for fiber management
- Holds ST, SC, FC, LC, MTRJ, UPC, APC adapters
- Order preconfigured with fiber pigtailed installed
- Made in USA

## **USER GUIDE**

### **Dimensions & Components**

The dimensional diagram below calls out important features of the Wall Mount Patch Panel.

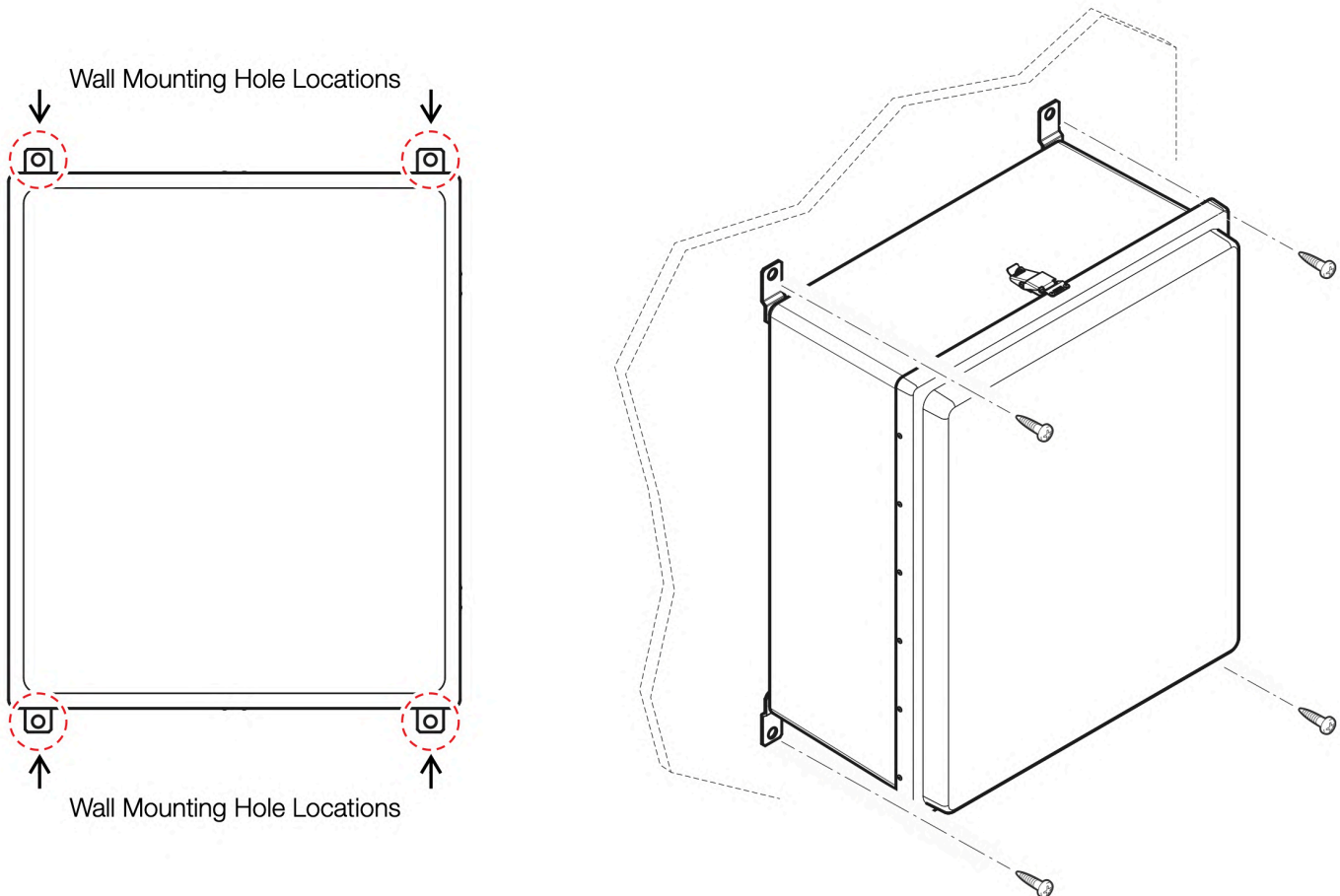


## Installation

Choose a suitable location, with room for the door to open fully for easy access to the interior. Pre-position the patch panel to plan out cable routings and check for any potential problems with the location. The patch panel may be wall mounted, if pole mounting is needed an accessory pole mount kit is sold separately.

### Wall Mounting

Once the position is determined, use a level and mark out the mounting points. Be sure to use the appropriate mounting hardware required for the installation location.



### Cable Routing

Once the enclosure is properly mounted installation of either conduit fittings and/or the included liquid tight break through plugs and cord grips can proceed. Standard hole saw bits will easily penetrate the enclosure and allow for cable entry and exit. This enclosure is designed for entry cable to be routed up through the bottom, however distribution cable can exit through the bottom, side, or top, whichever provides the most convenience for the installation.

## USER GUIDE

www.fiberopticlink.com

### Ordering Information

Use the following part number when ordering the patch panel without fiber adapter plates or pigtails.

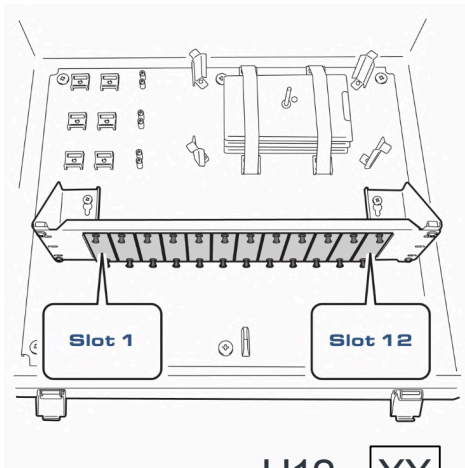
Description	Capacity	Dimensions	Part Number
Outdoor Wall Mount Patch Panel	12 Fiber Adapter Plates	21.6" (W) x 12.5" (D) x 25.5" (H)	HIPPO12-1

- Fiber Adapter Plates and fiber cable pigtails are ordered separately and may be preinstalled prior to shipping

Description	Part Number
Pole Mount Bracket for HIPPO12-1, Compatible with Pole Diameters of 15"	PMK-242010-F-1

### Ordering with Fiber Adapter Plates, Pigtails, and Additional Splice Trays

Use the ordering code below to order the patch panel with fiber adapter plates and/or pigtails preinstalled, or to receive additional Splice Trays. Refer to the Fiber Adapter Plate Chart and the Fiber Pigtail Chart on the following pages.



Example #1: **H12 - 06 - 32 - 06 - 41 - 0 - 1**

Quantity of Adapter Plates (06):	6
Adapter Plate Type (32):	AP-SC6-LDSM-B
Quantity of Fiber Pigtails (41):	6
Fiber Pigtail Type (41):	RLH-12SMSC-03M
Additional Splice Trays (0):	0

Example #2: **H12 - 12 - 32 - 12 - 41 - 6 - 1**

Quantity of Adapter Plates (12):	12
Adapter Plate Type (32):	AP-SC6-LDSM-B
Quantity of Fiber Pigtails (12):	12
Fiber Pigtail Type (41):	RLH-12SMSC-03M
Additional Splice Trays (6):	6

H12 - **XX** - **XX** - **XX** - **XX** - **X** - 1

#### Fiber Adapter Plate Quantity

Enter the quantity of fiber adapter plates required (0 to 12)

#### Fiber Adapter Plate Type

Use the code from the Adapter Plate Chart\* to select the style of adapter plate

**– Fiber Adapter Plates will be populated starting at slot 1 –**

#### Splice Trays

Six 12-fiber splice trays are included; enter the quantity of additional trays required (0 or 6) for a maximum of 12 trays – *PN: RLH-FST-01*

#### Fiber Pigtail Type

Use the code from the Fiber Pigtail Chart\* to select the style of fiber pigtail

#### Fiber Pigtail Quantity

Enter the quantity of fiber pigtails required (0 to 12)

\*Please refer to the **Fiber Adapter Plate Chart** and the **Fiber Pigtail Chart** on the following pages.

**Ordering Information (cont'd)**

**Adapter Plate Chart**

Use the Adapter Code to specify the desired plate style to be preinstalled.

Adapter	Mode	Adapter Plate Style				Supported Fiber Types	Black Plate Part Number	Adapter Code
		Type	Fibers	Positions	Color			
<b>Blank</b>	-	-	-	-	-	-	<b>AP-BLANK-B</b>	<b>00</b>
<b>ST</b>	<b>SM</b>	Simplex	6	6	Yellow Caps	OS1/OS2	<b>AP-ST6-LSSM-B</b>	<b>01</b>
			12	12	Yellow Caps	OS1/OS2	<b>AP-ST12-LSSM-B</b>	<b>03</b>
	<b>MM</b>	Simplex	6	6	Black Caps	OM1~OM4	<b>AP-ST6-LSMM-B</b>	<b>06</b>
			12	12	Black Caps	OM1~OM4	<b>AP-ST12-LSMM-B</b>	<b>08</b>
<b>FC</b>	<b>SM</b>	Simplex	6	6	Yellow Caps	OS1/OS2	<b>AP-FC6-LSSM-B</b>	<b>20</b>
	<b>MM</b>	Simplex	6	6	Black Caps	OM1/OM2	<b>AP-FC6-LSMM-B</b>	<b>23</b>
<b>FC/APC</b>	<b>SM</b>	Simplex	6	6	Green Caps	OS1/OS2	<b>AP-FA6-LSSM-B</b>	<b>26</b>
<b>SC</b>	<b>SM</b>	Simplex	6	6	■ blue	OS1/OS2	<b>AP-SC6-LSSM-B</b>	<b>30</b>
		Duplex	12	6	■ blue	OS1/OS2	<b>AP-SC6-LDSM-B</b>	<b>32</b>
	<b>MM</b>	Simplex	6	6	■ beige	OM1/OM2	<b>AP-SC6-LSMM-B</b>	<b>33</b>
		Duplex	12	6	■ beige	OM1/OM2	<b>AP-SC6-LDMM-B</b>	<b>35</b>
<b>SC/APC</b>	<b>SM</b>	Simplex	6	6	■ green	OS1/OS2	<b>AP-SA6-LSSM-B</b>	<b>36</b>
		Duplex	12	6	■ green	OS1/OS2	<b>AP-SA6-LDSM-B</b>	<b>38</b>
<b>SC 10G</b>	<b>MM</b>	Simplex	6	6	■ aqua	OM3/OM4	<b>AP-SC6-LSMX-B</b>	<b>39</b>
		Duplex	12	6	■ aqua	OM3/OM4	<b>AP-SC6-LDMX-B</b>	<b>41</b>
<b>LC</b>	<b>SM</b>	Duplex	6	3	■ blue	OS1/OS2	<b>AP-LC3-LDSM-B</b>	<b>51</b>
			12	6	■ blue	OS1/OS2	<b>AP-LC6-LDSM-B</b>	<b>52</b>
			24	6	■ blue	OS1/OS2	<b>AP-LC6-LQSM-B</b>	<b>54</b>
	<b>MM</b>	Duplex	6	3	■ beige	OM1/OM2	<b>AP-LC3-LDMM-B</b>	<b>56</b>
			12	6	■ beige	OM1/OM2	<b>AP-LC6-LDMM-B</b>	<b>57</b>
			24	6	■ beige	OM1/OM2	<b>AP-LC6-LQMM-B</b>	<b>59</b>
<b>LC/APC</b>	<b>SM</b>	Duplex	6	3	■ green	OS1/OS2	<b>AP-LA3-LDSM-B</b>	<b>61</b>
			12	6	■ green	OS1/OS2	<b>AP-LA6-LDSM-B</b>	<b>62</b>
			24	6	■ green	OS1/OS2	<b>AP-LA6-LQSM-B</b>	<b>64</b>
<b>LC 10 GIG</b>	<b>MM</b>	Duplex	6	3	■ aqua	OM3/OM4	<b>AP-LC3-LDMX-B</b>	<b>66</b>
			12	6	■ aqua	OM3/OM4	<b>AP-LC6-LDMX-B</b>	<b>67</b>
			24	6	■ aqua	OM3/OM4	<b>AP-LC6-LQMX-B</b>	<b>69</b>
<b>CAT6 RJ-45</b>	-	Coupler	-	4	-	-	<b>AP-RJCAT6-CP4-B</b>	<b>90</b>
		Punchdown	-	4	-	-	<b>AP-RJCAT6-PD4-B</b>	<b>91</b>

**Ordering Information (cont'd)**

**Fiber Pigtail Chart**

Use the Pigtail Code to specify the desired 900µm Spiral Wrap Splice-on Fiber Pigtail to be preinstalled.

900µm Spiral Wrap Splice-on Pigtail				Part Number	Pigtail Code			
Adapter	Mode	Fibers	Fiber Type					
N/A	N/A	N/A	N/A	NONE	00			
ST	SM	6	OS1/OS2	RLH-06SMST-03M	01			
		12	OS1/OS2	RLH-12SMST-03M	02			
	MM	6		OM1	RLH-06MMST-03M	06		
				OM2	RLH-06M5ST-03M	07		
				OM3	RLH-06MXST-03M	08		
				OM4	RLH-06MCST-03M	09		
		12		OM1	RLH-12MMST-03M	12		
				OM2	RLH-12M5ST-03M	13		
				OM3	RLH-12MXST-03M	14		
				OM4	RLH-12MCST-03M	15		
			FC	SM	6	OS1/OS2	RLH-06SMFC-03M	20
					12	OS1/OS2	RLH-12SMFC-03M	21
	MM	6			OM1	RLH-06MMFC-03M	23	
					OM2	RLH-06M5FC-03M	24	
					OM3	RLH-06MXFC-03M	25	
					OM4	RLH-06MCFC-03M	26	
12				OM1	RLH-12MMFC-03M	28		
				OM2	RLH-12M5FC-03M	29		
FC/APC	SM	6	OS1/OS2	RLH-06SMFA-03M	33			
		12	OS1/OS2	RLH-12SMFA-03M	34			
SC	SM	6	OS1/OS2	RLH-06SMSC-03M	40			
		12	OS1/OS2	RLH-12SMSC-03M	41			
	MM	6		OM1	RLH-06MMSC-03M	43		
				OM2	RLH-06M5SC-03M	44		
				OM3	RLH-06MXSC-03M	45		
				OM4	RLH-06MCSC-03M	46		
		12		OM1	RLH-12MMSC-03M	48		
				OM2	RLH-12M5SC-03M	49		
				OM3	RLH-12MXSC-03M	50		
				OM4	RLH-12MCSC-03M	51		
	SC/APC	SM	6	OS1/OS2	RLH-06SMSA-03M	53		
			12	OS1/OS2	RLH-12SMSA-03M	54		
	LC	SM	6	OS1/OS2	RLH-06SMLC-03M	60		
			12	OS1/OS2	RLH-12SMLC-03M	61		
24			OS1/OS2	RLH-12SMLC-03M (2)	62			
6			OM1	RLH-06MMLC-03M	63			
			OM2	RLH-06M5LC-03M	64			
			OM3	RLH-06MXLC-03M	65			
			OM4	RLH-06MCLC-03M	66			
		12		OM1	RLH-12MMLC-03M	68		
				OM2	RLH-12M5LC-03M	69		
				OM3	RLH-12MXLC-03M	70		
				OM4	RLH-12MCLC-03M	71		
24			OM1	RLH-12MMLC-03M (2)	73			
			OM2	RLH-12M5LC-03M (2)	74			
			OM3	RLH-12MXLC-03M (2)	75			
			OM4	RLH-12MCLC-03M (2)	76			
		LC/APC	SM	6	OS1/OS2	RLH-06SMLA-03M	78	
12				OS1/OS2	RLH-12SMLA-03M	79		
24				OS1/OS2	RLH-12SMLA-03M (2)	80		

## USER GUIDE

### Key Specifications

<b>Adapter Plates:</b>	<p>Holds 12 LGX® plates Up to 24 Fibers each plate *Ordered Separately</p>
<b>Splice Trays:</b>	Qty. 6 – 12 position
<b>Mounting Style:</b>	Wall or pole mount (with optional pole mount kit)
<b>Environmental:</b>	Indoor or outdoor use: NEMA types 1, 2, 3, 3R, 4, 4X, 12 and 13
<b>Construction:</b>	Fiberglass reinforced polyester
<b>Accessory Kit:</b>	<p>Qty. 80 – Splice Sleeves</p> <p>Qty. 1 – 36" x 1/2" Velcro® for securing fiber</p> <p>Qty. 12 – Cable Ties</p> <p>Qty. 6 – Liquid Tight Cord grip, cable diameter .250" - .490"</p> <p>Qty. 2 – Liquid Tight Break-Thru plugs, cable diameter .200" - .715"</p> <p>Qty. 2 - Distribution Chart Label, 24 Fiber</p>
<b>Dimensions:</b>	21.6" (W) x 12.5" (D) x 25.5" (H), (550mm x 320mm x 650mm)

### Contact

By Mail:	<p>Att: Sales RLH Industries, Inc. 936 N. Main St. Orange, CA 92867</p>	
By Phone:	Local	714-532-1672
Sales / Service	Toll Free	800-877-1672
Mon - Fri, 6am - 6pm, PST		866-DO-FIBER
By Email:	info@fiberopticlink.com	
By FAX:	714-532-1885	

### Tech Support

By Email:	support@fiberopticlink.com	
By Phone:	Toll Free	855-754-2497
		855-RLH-24X7