

USER GUIDE

HIPPO 12 Plate Fiber Patch Panel

Hardened Infrastructure Fiber Patch Panel for Outside Plant

The RLH Hardened Infrastructure Patch Panel for Outside Plant (HIPPO) is an ideal solution for splicing and patching fiber optic cable where a weatherproof rating is desired. With substation, power plant, and extreme outdoor environments in mind, the HIPPO was designed to fit the needs of these demanding environments while at the same time being easy to install and modify.

This outdoor fiber solution is enclosed in a NEMA 4X, UL Listed, non-corrosive, non-conductive, light weight, and easy to modify fiberglass enclosure. It's especially well suited for extreme temperatures and corrosive environments. It can be wall mounted with its included mounting feet or pole mounted with an optional pole mount kit. It is secured by two pad lockable snap latches.

It comes standard with 12 fiber adapter plate slots, fiber management cable guides, fiber splice trays, splice sleeves, document holder, distribution chart, cable mounting tiedowns, and Velcro® straps for securing splice trays and fiber cable. The included accessory kit contains liquid tight break through plugs and cord grips, together with fiber strength member clamps allowing for the safe entrance and exit of fiber optic cable.

Fiber adapter plates may be ordered separately or preinstalled and are available with ST, SC, FC, LC, MTRJ, UPC and APC style adapters. When ordered using our configuration matrix, the Fiber Adapter Plates and Splice on Fiber Pigtails are preinstalled for convenience.

Key Features

- Holds up to 12 LGX® adapter plates, blank adapter plates included
- NEMA 4X, UL Listed Enclosure, ready for outdoor installation
- Ready to patch or splice with included accessories
- Wall or Pole Mounted (with Optional pole mount kit)
- Easy to modify compared to metallic enclosures
- 2 Pad lockable latches for additional security
- Includes 6 strain relief clamps for securing entry cable
- Includes liquid tight cord grips & plugs
- Adapter plates may be removed with fibers attached



HIPPO 12 Plate Fiber Patch Panel



Accessory Kit

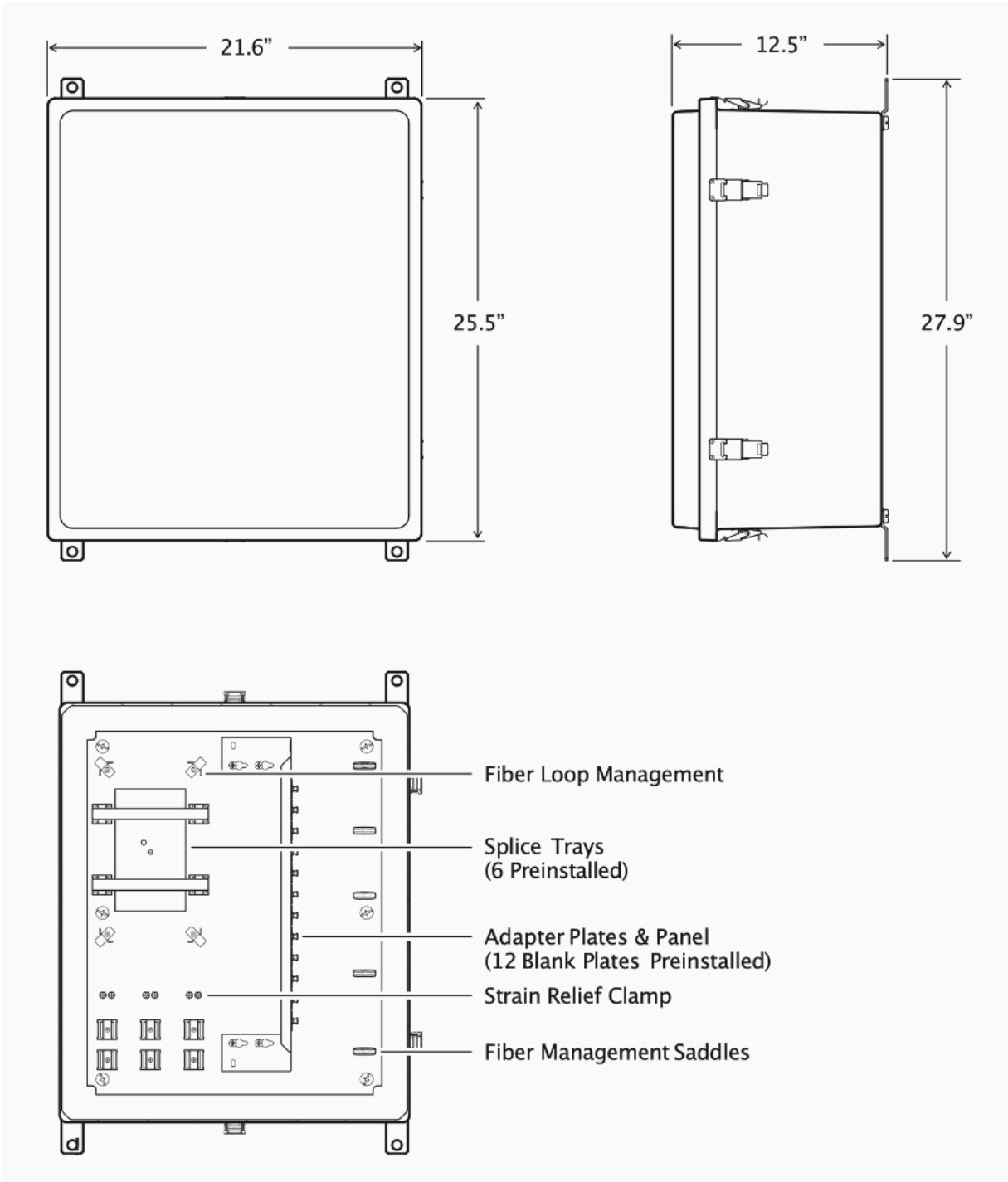
- Includes Velcro tie downs for fiber management
- Holds ST, SC, FC, LC, MTRJ, UPC, APC adapters
- Order preconfigured with fiber pigtailed installed
- Made in USA

USER GUIDE

www.fiberopticlink.com

Dimensions & Components

The dimensional diagram below calls out important features of the Wall Mount Patch Panel.

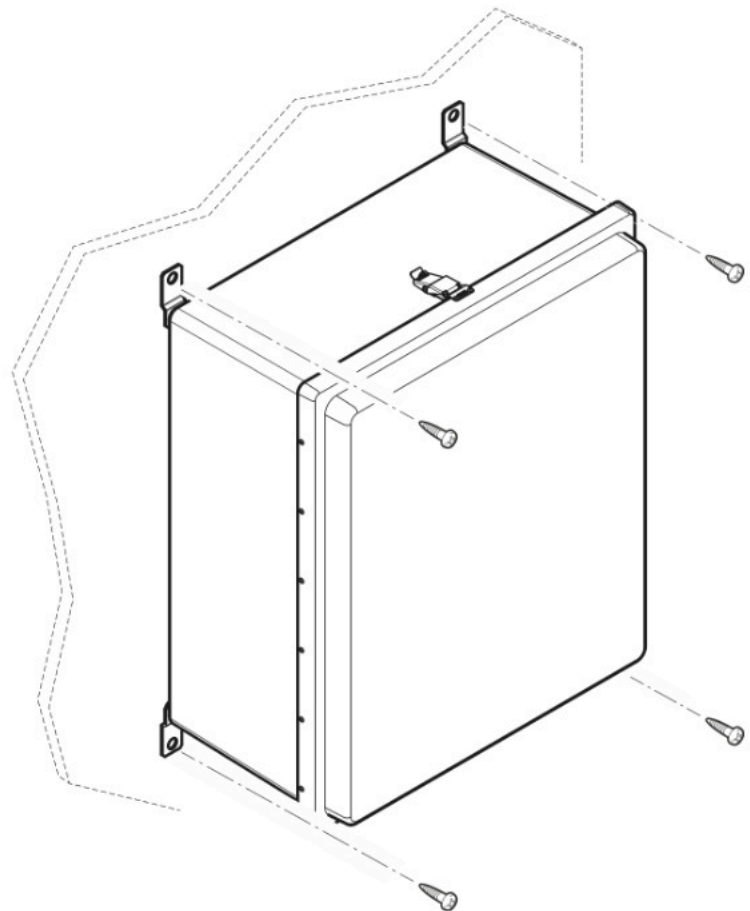
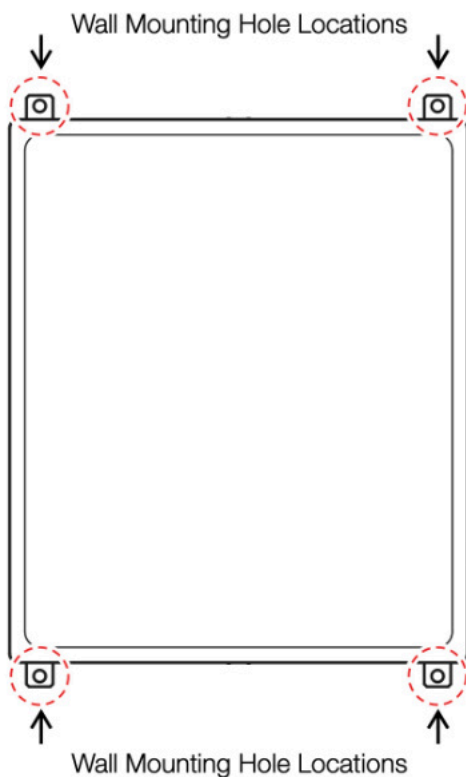


Installation

Choose a suitable location, with room for the door to open fully for easy access to the interior. Pre-position the patch panel to plan out cable routings and check for any potential problems with the location. The patch panel may be wall mounted, if pole mounting is needed an accessory pole mount kit is sold separately.

Wall Mounting

Once the position is determined, use a level and mark out the mounting points. Be sure to use the appropriate mounting hardware required for the installation location.



Cable Routing

Once the enclosure is properly mounted installation of either conduit fittings and/or the included liquid tight break through plugs and cord grips can proceed. Standard hole saw bits will easily penetrate the enclosure and allow for cable entry and exit. This enclosure is designed for entry cable to be routed up through the bottom, however distribution cable can exit through the bottom, side, or top, whichever provides the most convenience for the installation.

USER GUIDE

www.fiberopticlink.com

Ordering Information

Use the following part number when ordering the patch panel without fiber adapter plates or pigtails.

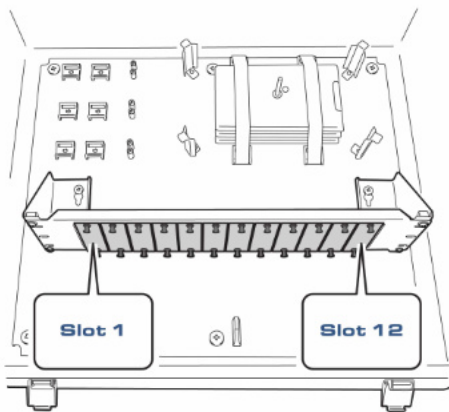
Description	Capacity	Dimensions	Part Number
Outdoor Wall Mount Patch Panel	12 Fiber Adapter Plates	21.6" (W) x 12.5" (D) x 25.5" (H)	HIPPO12-1

- Fiber Adapter Plates and fiber cable pigtails are ordered separately and may be preinstalled prior to shipping

Description	Part Number
Pole Mount Bracket for HIPPO12-1, Compatible with Pole Diameters of 15"	PMK-242010-F-1

Ordering with Fiber Adapter Plates, Pigtails, and Additional Splice Trays

Use the ordering code below to order the patch panel with fiber adapter plates and/or pigtails preinstalled, or to receive additional Splice Trays. Refer to the Fiber Adapter Plate Chart and the Fiber Pigtail Chart on the following pages.



Example #1: **H12 - 06 - 32 - 06 - 41 - 0 - 1**

Quantity of Adapter Plates (06):	6
Adapter Plate Type (32):	AP-SC6-LDSM-G
Quantity of Fiber Pigtails (41):	6
Fiber Pigtail Type (41):	RLH-12SMSC-03M
Additional Splice Trays (0):	0

Example #2: **H12 - 12 - 32 - 12 - 41 - 6 - 1**

Quantity of Adapter Plates (12):	12
Adapter Plate Type (32):	AP-SC6-LDSM-G
Quantity of Fiber Pigtails (12):	12
Fiber Pigtail Type (41):	RLH-12SMSC-03M
Additional Splice Trays (6):	6

H12 - **XX** - **XX** - **XX** - **XX** - **X** - 1

Fiber Adapter Plate Quantity

Enter the quantity of fiber adapter plates required (0 to 12)

Fiber Adapter Plate Type

Use the code from the Adapter Plate Chart* to select the style of adapter plate

– Fiber Adapter Plates will be populated starting at slot 1 –

Splice Trays

Six 12-fiber splice trays are included; enter the quantity of additional trays required (0 or 6) for a maximum of 12 trays – *PN: RLH-FST-01*

Fiber Pigtail Type

Use the code from the Fiber Pigtail Chart* to select the style of fiber pigtail

Fiber Pigtail Quantity

Enter the quantity of fiber pigtails required (0 to 12)

*Please refer to the **Fiber Adapter Plate Chart** and the **Fiber Pigtail Chart** on the following pages.

Ordering Information (cont'd)

Adapter Plate Chart

Use the Adapter Code to specify the desired plate style to be preinstalled.

Adapter	Adapter Plate Style					Supported Fiber Types	Gray Plate Part Number	Adapter Code
	Mode	Type	Fibers	Positions	Color			
Blank	-	-	-	-	-	-	AP-BLANK-G	00
ST	SM	Simplex	6	6	Yellow Caps	OS1/OS2	AP-ST6-LSSM-G	01
			12	12	Yellow Caps	OS1/OS2	AP-ST12-LSSM-G	03
	MM	Simplex	6	6	Black Caps	OM1~OM4	AP-ST6-LSMM-G	06
			12	12	Black Caps	OM1~OM4	AP-ST12-LSMM-G	08
FC	SM	Simplex	6	6	Yellow Caps	OS1/OS2	AP-FC6-LSSM-G	20
	MM		6	6	Black Caps	OM1/OM2	AP-FC6-LSMM-G	23
FC/APC	SM	Simplex	6	6	Green Caps	OS1/OS2	AP-FA6-LSSM-G	26
SC	SM	Simplex	6	6	■ blue	OS1/OS2	AP-SC6-LSSM-G	30
	SM	Duplex	6	3	■ blue	OS1/OS2	AP-SC3-LDSM-G	43
	SM		12	6	■ blue	OS1/OS2	AP-SC6-LDSM-G	32
	MM	Simplex	6	6	■ beige	OM1/OM2	AP-SC6-LSMM-G	33
	MM	Duplex	6	3	■ beige	OM1/OM2	AP-SC3-LDMM-G	44
	MM		12	6	■ beige	OM1/OM2	AP-SC6-LDMM-G	35
SC/APC	SM	Simplex	6	6	■ green	OS1/OS2	AP-SA6-LSSM-G	36
	SM	Duplex	6	3	■ green	OS1/OS2	AP-SA3-LSSM-G	45
	SM		12	6	■ green	OS1/OS2	AP-SA6-LDSM-G	38
SC 10G	MM	Simplex	6	6	■ aqua	OM3/OM4	AP-SC6-LSMX-G	39
	MM	Duplex	6	3	■ aqua	OM3/OM4	AP-SC3-LSMX-G	42
	MM		12	6	■ aqua	OM3/OM4	AP-SC6-LDMX-G	41
LC	SM	Duplex	6	3	■ blue	OS1/OS2	AP-LC3-LDSM-G	51
			12	6	■ blue	OS1/OS2	AP-LC6-LDSM-G	52
		Quad	24	6	■ blue	OS1/OS2	AP-LC6-LQSM-G	54
	MM	Duplex	6	3	■ beige	OM1/OM2	AP-LC3-LDMM-G	56
			12	6	■ beige	OM1/OM2	AP-LC6-LDMM-G	57
24			6	■ beige	OM1/OM2	AP-LC6-LQMM-G	59	
LC/APC	SM	Duplex	6	3	■ green	OS1/OS2	AP-LA3-LDSM-G	61
			12	6	■ green	OS1/OS2	AP-LA6-LDSM-G	62
			24	6	■ green	OS1/OS2	AP-LA6-LQSM-G	64
LC 10G	MM	Duplex	6	3	■ aqua	OM3/OM4	AP-LC3-LDMX-G	66
			12	6	■ aqua	OM3/OM4	AP-LC6-LDMX-G	67
			24	6	■ aqua	OM3/OM4	AP-LC6-LQMX-G	69
Unshielded CAT6 RJ-45	-	Coupler	-	4	■ black	-	AP-RJCAT6-CP4-G	90
	-	Punchdown	-	4	■ black	-	AP-RJCAT6-PD4-G	91
	-	Coupler	-	6	■ black	-	AP-RJCAT6-CP6-G	92
Shielded CAT6 RJ-45	-	Coupler	-	4	■ Metallic	-	AP-RJCAT6S-CP4-G	94
	-	Punchdown	-	4	■ Metallic	-	AP-RJCAT6S-PD4-G	95
	-	Coupler	-	6	■ Metallic	-	AP-RJCAT6S-CP6-G	97
	-	Punchdown	-	6	■ Metallic	-	AP-RJCAT6S-PD6-G	98

Ordering Information (cont'd)

Fiber Pigtail Chart

Use the Pigtail Code to specify the desired 900µm Spiral Wrap Splice-on Fiber Pigtail to be preinstalled.

900µm Spiral Wrap Splice-on Pigtail				Part Number	Pigtail Code		
Adapter	Mode	Fibers	Fiber Type				
N/A	N/A	N/A	N/A	NONE	00		
ST	SM	6	OS1/OS2	RLH-06SMST-03M	01		
		12	OS1/OS2	RLH-12SMST-03M	02		
	MM	6		OM1	RLH-06MMST-03M	06	
				OM2	RLH-06M5ST-03M	07	
				OM3	RLH-06MXST-03M	08	
				OM4	RLH-06MCST-03M	09	
		12		OM1	RLH-12MMST-03M	12	
				OM2	RLH-12M5ST-03M	13	
				OM3	RLH-12MXST-03M	14	
				OM4	RLH-12MCST-03M	15	
			SM	6	OS1/OS2	RLH-06SMFC-03M	20
				12	OS1/OS2	RLH-12SMFC-03M	21
FC	MM	6	OM1	RLH-06MMFC-03M	23		
			OM2	RLH-06M5FC-03M	24		
			OM3	RLH-06MXFC-03M	25		
			OM4	RLH-06MCFC-03M	26		
	12		OM1	RLH-12MMFC-03M	28		
			OM2	RLH-12M5FC-03M	29		
			OM3	RLH-12MXFC-03M	30		
			OM4	RLH-12MCFC-03M	31		
		SM	6	OS1/OS2	RLH-06SMFA-03M	33	
			12	OS1/OS2	RLH-12SMFA-03M	34	
SC	SM	6	OS1/OS2	RLH-06SMSC-03M	40		
		12	OS1/OS2	RLH-12SMSC-03M	41		
	MM	6		OM1	RLH-06MMSC-03M	43	
				OM2	RLH-06M5SC-03M	44	
				OM3	RLH-06MXSC-03M	45	
				OM4	RLH-06MCSC-03M	46	
		12		OM1	RLH-12MMSC-03M	48	
				OM2	RLH-12M5SC-03M	49	
				OM3	RLH-12MXSC-03M	50	
				OM4	RLH-12MCSC-03M	51	
			SM	6	OS1/OS2	RLH-06SMSA-03M	53
				12	OS1/OS2	RLH-12SMSA-03M	54
LC	SM	6	OS1/OS2	RLH-06SMLC-03M	60		
		12	OS1/OS2	RLH-12SMLC-03M	61		
		24	OS1/OS2	RLH-12SMLC-03M (2)	62		
	MM	6		OM1	RLH-06MMLC-03M	63	
				OM2	RLH-06M5LC-03M	64	
				OM3	RLH-06MXLC-03M	65	
				OM4	RLH-06MCLC-03M	66	
		12		OM1	RLH-12MMLC-03M	68	
				OM2	RLH-12M5LC-03M	69	
				OM3	RLH-12MXLC-03M	70	
				OM4	RLH-12MCLC-03M	71	
				OM1	RLH-12MMLC-03M (2)	73	
				OM2	RLH-12M5LC-03M (2)	74	
				OM3	RLH-12MXLC-03M (2)	75	
				OM4	RLH-12MCLC-03M (2)	76	
			SM	6	OS1/OS2	RLH-06SMLA-03M	78
12	OS1/OS2	RLH-12SMLA-03M		79			
24	OS1/OS2	RLH-12SMLA-03M (2)		80			

USER GUIDE

Key Specifications

Adapter Plates:	<p>Holds 12 LGX® plates Up to 24 Fibers each plate *Ordered Separately</p>
Splice Trays:	Qty. 6 – 12 position
Mounting Style:	Wall or pole mount (with optional pole mount kit)
Environmental:	Indoor or outdoor use: NEMA types 1, 2, 3, 3R, 4, 4X, 12 and 13
Construction:	Fiberglass reinforced polyester
Accessory Kit:	<p>Qty. 80 – Splice Sleeves</p> <p>Qty. 1 – 36" x 1/2" Velcro® for securing fiber</p> <p>Qty. 12 – Cable Ties</p> <p>Qty. 6 – Liquid Tight Cord grip, cable diameter .250" - .490"</p> <p>Qty. 2 – Liquid Tight Break-Thru plugs, cable diameter .200" - .715"</p> <p>Qty. 2 - Distribution Chart Label, 24 Fiber</p>
Dimensions:	21.6" (W) x 12.5" (D) x 25.5" (H), (550mm x 320mm x 650mm)

Contact

By Mail:	<p>Att: Sales RLH Industries, Inc. 936 N. Main St. Orange, CA 92867</p>	
By Phone:	Local	714-532-1672
Sales / Service	Toll Free	800-877-1672
Mon - Fri, 6am - 6pm, PST		866-DO-FIBER
By Email:	info@fiberopticlink.com	
By FAX:	714-532-1885	

Tech Support

By Email:	support@fiberopticlink.com	
By Phone:	Toll Free	855-754-2497
		855-RLH-24X7