

DATA SHEET

Fiber Adapter Plates (black)

Wide Range of Fiber Adapter Plates to Complete Your Fiber Solution

Our black Fiber Adapter Plates can be ordered individually or preinstalled into select RLH fiber optic patch panels*.

RLH adapter plates utilize a common installation format referred to as LGX style adapters. This allows them to be mixed and matched as need in all compatible wall or rack mount patch panels that accept LGX adapter plates. Additionally, our LGX adapter plates may be used with our Corning® compatible adapter when needed.

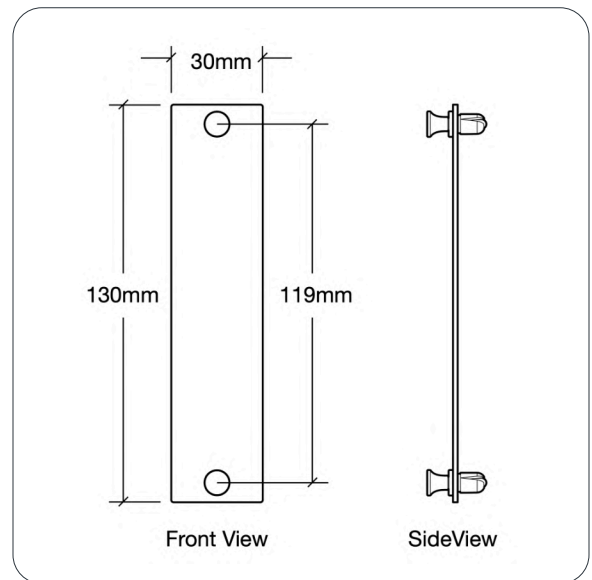
Our black Fiber adapter plates are compatible with all RLH fiber patch panels (see note below) except for the Optimum Series. Since our adapter plates utilize a common format we are also compatible with many other vendor patch panels who support the common LGX Foot print type adapter plates.

*RLH patch panels will take either our black series or grey series Fiber Adapter Plates. Please check the individual product page to verify which series of plates is compatible.

*Not compatible with our RLH Optimum Series patch panels.

Key Features

- Available with ST, SC, LC, FC and MTP/MPO adapters
- Constructed out of lightweight aluminum
- Plate features common LGX foot print size
- Compatible with many fiber patch panels that support LGX Foot Print Adapter Plates



Part Number: AP-BLANK-B

Blank Adapter Plate, Black

Fibers	Adapter	Mode	Fiber Type	Adapter Color	Plex	Plate
Zero	None	None	None	None	None	Black



Part Number: AP-ST6-LSSM-B

ST 6 Fiber 6 Position Loaded with Simplex Singlemode Adapters (Yellow Caps), Black

Fibers	Adapter	Mode	Fiber Type	Adapter Color	Plex	Plate
6	ST	Singlemode	OS1/OS2	Metal – Yellow Cap	Simplex	Black

DATA SHEET



Part Number: **AP-ST12-LSSM-B**

ST 12 Fiber 12 Position Loaded with Simplex Singlemode Adapters (Yellow Caps), Black

Fibers	Adapter	Mode	Fiber Type	Adapter Color	Plex	Plate
12	ST	Singlemode	OS1/OS2	Metal – Yellow Cap	Simplex	Black



Part Number: **AP-ST6-LSMM-B**

ST 6 Fiber 6 Position Loaded with Simplex Multimode Adapters (Black Caps), Black

Fibers	Adapter	Mode	Fiber Type	Adapter Color	Plex	Plate
6	ST	Multimode	OM1-OM4	Metal – Black Cap	Simplex	Black



Part Number: **AP-ST12-LSMM-B**

ST 12 Fiber 12 Position Loaded with Simplex Multimode Adapters (Black Caps), Black

Fibers	Adapter	Mode	Fiber Type	Adapter Color	Plex	Plate
12	ST	Multimode	OM1-OM4	Metal – Black Cap	Simplex	Black



Part Number: **AP-SC6-LSSM-B**

SC 6 Fiber 6 Position Loaded with Simplex Singlemode Adapters (Blue), Black

Fibers	Adapter	Mode	Fiber Type	Adapter Color	Plex	Plate
6	SC	Singlemode	OS1/OS2	Blue	Simplex	Black



Part Number: **AP-SC6-LDSM-B**

SC 12 Fiber 6 Position Loaded with Duplex Singlemode Adapters (Blue), Black

Fibers	Adapter	Mode	Fiber Type	Adapter Color	Plex	Plate
12	SC	Singlemode	OS1/OS2	Blue	Duplex	Black

DATA SHEET



Part Number: **AP-SC6-LSMM-B**

SC 6 Fiber 6 Position Loaded with Simplex Multimode Adapters (Beige), Black

Fibers	Adapter	Mode	Fiber Type	Adapter Color	Plex	Plate
6	SC	Multimode	OM1/OM2	Beige	Simplex	Black



Part Number: **AP-SC6-LDMM-B**

SC 12 Fiber 6 Position Loaded with Duplex Multimode Adapters (Beige), Black

Fibers	Adapter	Mode	Fiber Type	Adapter Color	Plex	Plate
12	SC	Multimode	OM1/OM2	Beige	Duplex	Black



Part Number: **AP-SA6-LSSM-B**

SC 6 Fiber 6 Position Loaded with Simplex Singlemode Adapters (Green), Black

Fibers	Adapter	Mode	Fiber Type	Adapter Color	Plex	Plate
6	SC/APC	Singlemode	OS1/OS2	Green	Simplex	Black



Part Number: **AP-SA6-LDSM-B**

SC 12 Fiber 6 Position Loaded with Duplex Singlemode Adapters (Green), Black

Fibers	Adapter	Mode	Fiber Type	Adapter Color	Plex	Plate
12	SC/APC	Singlemode	OS1/OS2	Green	Duplex	Black



Part Number: **AP-SC6-LSMX-B**

SC 6 Fiber 6 Position Loaded with Simplex Multimode Adapters (Aqua), Black

Fibers	Adapter	Mode	Fiber Type	Adapter Color	Plex	Plate
6	SC	Multimode	OM3/OM4	Aqua	Simplex	Black

DATA SHEET



Part Number: **AP-SC6-LDMX-B**

SC 12 Fiber 6 Position Loaded with Duplex Multimode Adapters (Aqua), Black

Fibers	Adapter	Mode	Fiber Type	Adapter Color	Plex	Plate
12	SC	Multimode	OM3/OM4	Aqua	Duplex	Black



Part Number: **AP-LC3-LDSM-B**

LC 6 Fiber 3 Position Loaded with Duplex Singlemode Adapters (Blue), Black

Fibers	Adapter	Mode	Fiber Type	Adapter Color	Plex	Plate
6	LC	Singlemode	OS1/OS2	Blue	Duplex	Black



Part Number: **AP-LC6-LDSM-B**

LC 12 Fiber 6 Position Loaded with Duplex Singlemode Adapters (Blue), Black

Fibers	Adapter	Mode	Fiber Type	Adapter Color	Plex	Plate
12	LC	Singlemode	OS1/OS2	Blue	Duplex	Black



Part Number: **AP-LC6-LQSM-B**

LC 24 Fiber 6 Position Loaded with Quad Singlemode Adapters (Blue), Black

Fibers	Adapter	Mode	Fiber Type	Adapter Color	Plex	Plate
24	LC	Singlemode	OS1/OS2	Blue	Quad	Black



Part Number: **AP-LC3-LDMM-B**

LC 6 Fiber 3 Position Loaded with Duplex Multimode Adapters (Beige), Black

Fibers	Adapter	Mode	Fiber Type	Adapter Color	Plex	Plate
6	LC	Multimode	OM1/OM2	Beige	Duplex	Black

DATA SHEET



Part Number: **AP-LC6-LDMM-B**

LC 12 Fiber 6 Position Loaded with Duplex Multimode Adapters (Beige), Black

Fibers	Adapter	Mode	Fiber Type	Adapter Color	Plex	Plate
12	LC	Multimode	OM1/OM2	Beige	Duplex	Black



Part Number: **AP-LC6-LQMM-B**

LC 24 Fiber 6 Position Loaded with Quad Multimode Adapters (Beige), Black

Fibers	Adapter	Mode	Fiber Type	Adapter Color	Plex	Plate
24	LC	Multimode	OM1/OM2	Beige	Quad	Black



Part Number: **AP-LA3-LDSM-B**

LC 6 Fiber 3 Position Loaded with Duplex Singlemode Adapters (Green), Black

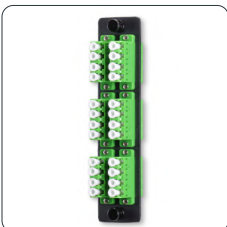
Fibers	Adapter	Mode	Fiber Type	Adapter Color	Plex	Plate
6	LC/APC	Singlemode	OS1/OS2	Green	Duplex	Black



Part Number: **AP-LA6-LDSM-B**

LC 12 Fiber 6 Position Loaded with Duplex Singlemode Adapters (Green), Black

Fibers	Adapter	Mode	Fiber Type	Adapter Color	Plex	Plate
12	LC/APC	Singlemode	OS1/OS2	Green	Duplex	Black



Part Number: **AP-LA6-LQSM-B**

LC 24 Fiber 6 Position Loaded with Quad Singlemode Adapters (Green), Black

Fibers	Adapter	Mode	Fiber Type	Adapter Color	Plex	Plate
24	LC/APC	Singlemode	OS1/OS2	Green	Quad	Black

DATA SHEET



Part Number: **AP-LC3-LDMX-B**

LC 6 Fiber 3 Position Loaded with Duplex Multimode Adapters (Aqua), Black

Fibers	Adapter	Mode	Fiber Type	Adapter Color	Plex	Plate
6	LC	Multimode	OM3/OM4	Aqua	Duplex	Black



Part Number: **AP-LC6-LDMX-B**

LC 12 Fiber 6 Position Loaded with Duplex Multimode Adapters (Aqua), Black

Fibers	Adapter	Mode	Fiber Type	Adapter Color	Plex	Plate
12	LC	Multimode	OM3/OM4	Aqua	Duplex	Black



Part Number: **AP-LC6-LQMX-B**

LC 24 Fiber 6 Position Loaded with Quad Multimode Adapters (Aqua), Black

Fibers	Adapter	Mode	Fiber Type	Adapter Color	Plex	Plate
24	LC	Multimode	OM3/OM4	Aqua	Quad	Black



Part Number: **AP-FC6-LSSM-B**

FC 6 Fiber 6 Position Loaded with Simplex Singlemode Adapters (Yellow Caps), Black

Fibers	Adapter	Mode	Fiber Type	Adapter Color	Plex	Plate
6	FC	Singlemode	OS1/OS2	Metal – Yellow Cap	Simplex	Black



Part Number: **AP-FC6-LSMM-B**

FC 6 Fiber 6 Position Loaded with Simplex Multimode Adapters (Black Caps), Black

Fibers	Adapter	Mode	Fiber Type	Adapter Color	Plex	Plate
6	FC	Multimode	OM1-OM4	Metal – Black Cap	Simplex	Black

DATA SHEET



Part Number: **AP-FA6-LSSM-B**

FC 6 Fiber 6 Position Loaded with Simplex Singlemode Adapters (Green Caps), Black

Fibers	Adapter	Mode	Fiber Type	Adapter Color	Plex	Plate
6	FC/APC	Singlemode	OS1/OS2	Metal – Green Cap	Simplex	Black



Part Number: **AP-RJCAT6-CP4-B**

RJ-45 4-Position Adapter Plate loaded with CAT6 Coupler Keystones, Grey

Fibers	Adapter	Mode	Fiber Type	Adapter Color	Plex	Plate
Zero	RJ-45	Coupler	None	Black	None	Black



Part Number: **AP-RJCAT6-PD4-B**

RJ-45 4-Position Adapter Plate loaded with CAT6 Punch Down Keystones, Grey

Fibers	Adapter	Mode	Fiber Type	Adapter Color	Plex	Plate
Zero	RJ-45	Punch Down	None	Black	None	Black



Part Number: **AP-MT6-LSUN-B**

MTP Black - MTP 6-Position Adapter Plate loaded with Simplex Adapters (Black), Black

Fibers	Adapter	Mode	Fiber Type	Adapter Color	Plex	Plate
NA	6 x MTP/MPO	Variable	Variable	Black	Variable	Black



Part Number: **AP-CCHLGX-B**

Corning LGX Adapter Plate

Description

Corning CCH to LGX Adapter Plate

DATA SHEETwww.fiberopticlink.com**Contact**

By Mail:	Att: Sales RLH Industries, Inc. 936 N. Main St. Orange, CA 92867
----------	---

By Phone: Sales / Service Mon - Fri, 6am - 6pm, PST	Local	714-532-1672
	Toll Free	800-877-1672 866-DO-FIBER

By Email:	info@fiberopticlink.com
-----------	--

By FAX:	714-532-1885
---------	--------------

Tech Support

By Email:	support@fiberopticlink.com
-----------	--

By Phone:	Toll Free	855-754-2497 855-RLH-24X7
-----------	-----------	------------------------------