



# 4 Line POTS Fiber Link System

## Extend Analog Phone Over Fiber

The RLH 4 Line Plain Old Telephone Service (POTS) Fiber Link system transports four analog phone lines over fiber optic cable. This rugged system is designed to operate reliably in harsh environments over a wide temperature range.

Common applications include connecting analog phone lines over fiber for the benefit of electrical isolation, extending service over long distances, or reducing EMI/RFI in electrically noisy environments. The system is compatible with all traditional analog phone services, dial-up modems, meters, and fax machines.

A comprehensive set of LEDs on the front panel indicate the status of the power, fiber link, and phone lines. The standard system powering requirement is 12-48VDC, and a 125VDC option is available. The system also features dual redundant power inputs with a system status alarm contact relay, and comes standard with DIN clip and wall mount ears for ease of installation. This Fiber Link system is designed and made in the USA, and is covered by our Lifetime Warranty.



4 Line POTS FXO Fiber Optic Converter

## Features

### System

- Supports Gigabit SFPs, MSA Compliant
- Supports Caller ID
- Supports Call-Forward Disconnect (Hook Flash)
- Supports Ringdown Function (FXS to FXS Hotline Phone)
- Standard 2-wire analog phone lines, dial-up modems, and fax machines

### Environment

- Hardened to operate in -40°F to +158°F (-40°C to +70°C)
- DIN rail or Wall Mount (Wall mount ears included)

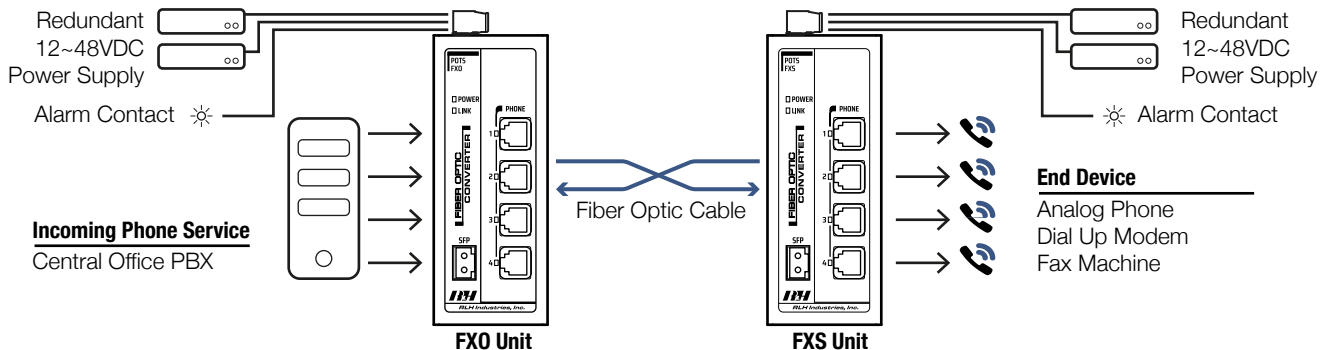
### Power

- Redundant Power Inputs (12~48VDC)

### Quality

- Made in the USA
- Covered by our Lifetime Warranty

## Application





## System Specifications

<b>Fiber Port</b>	1 Gigabit SFP Slot, Accepts MSA compliant 1.25Gbps SFPs (Sold separately)		
<b>Phone Connectors</b>	(4) RJ-11 Female		
<b>Audio Bandwidth</b>	300Hz to 3400Hz		
<b>Analog Phone (POTS) Interface</b>	<b>FXO Device</b>	Impedance	600 ohms
		Ring Frequency	Acceptable 20 ~50Hz
	<b>FXS Device</b>	Impedance	600 ohms
		Dial	DTMF and Pulse
		Battery Source	48VDC $\pm$ 4V
Ring Voltage		80Vrms at 20Hz (Depending on the ringing load)	
	REN	REN 3.0 (Ring Equivalence Number)	
		<i>*REN value is per Line</i>	
<b>Ringing Waveform</b>	Sine wave		
<b>Ring Cadence</b>	FXS to FXS	ON $\rightarrow$ 2 seconds, OFF $\rightarrow$ 4 seconds	
	FXO to FXS	Reproduces the cadence detected by the FXO	
<b>Ringing Standard</b>	Designed for use with Typical North American Telephone Networks		
<b>Return Loss</b>	40dB		
<b>Supports</b>	Caller ID, Call Forwarding & Ringdown/Hotline Service		
<b>LED Indicators</b>	Power, Fiber, Phone or Line 1-4		
<b>Power Input</b>	Standard model	12~48VDC (11~53V)	
	-A powering option	125VDC (42~160V)	
	Dual redundant power options - Polarity insensitive		
<b>Power Consumption</b>	$\leq$ 10W		
<b>System Alarm Relay</b>	Normally Open / Closed Relay (SPDT)		
<b>DC Input Isolation (in/out)</b>	1.5KV		
<b>Overcurrent Protection</b>	1.0A (Automatic Recovery)		
<b>Temperature</b>	Storage	-40°C to + 85°C (-40°F to +185°F)	
	Operating	-40°C to + 70°C (-40°F to +158°F)	
<b>Dimensions</b>	H 5.2" x W 2.2" x D 4", (131mm x 56mm x 102mm) - not including DIN clip		
<b>Weight</b>	1.6 lbs. (0.73kg)		
<b>Mounting</b>	Includes standard T-35 DIN rail clip and wall mount ears		
<b>Humidity</b>	95% non-condensing		
<b>Safety</b>	FCC Class B, CE, RoHS		
<b>Warranty</b>	Lifetime - Visit <a href="http://www.fiberopticlink.com">www.fiberopticlink.com</a> for warranty information and coverage details		

## Ordering Information

Description	Type	Part Number
4 Line POTS Fiber Optic Converter, FXO 1 SFP Slot, Powered by 12-48VDC	FXO	FBX-POTS-FXO-4-1
4 Line POTS Fiber Optic Converter, FXS 1 SFP Slot, Powered by 12-48VDC	FXS	FBX-POTS-FXS-4-1

- A complete system requires 2 devices of either configuration:
  - One (1) FXO device paired with one (1) FXS device for a typical phone line extension, or
  - Two (2) FXS devices paired for a ringdown hotline
- Add **-A** to the end of the part number for 125VDC input power option