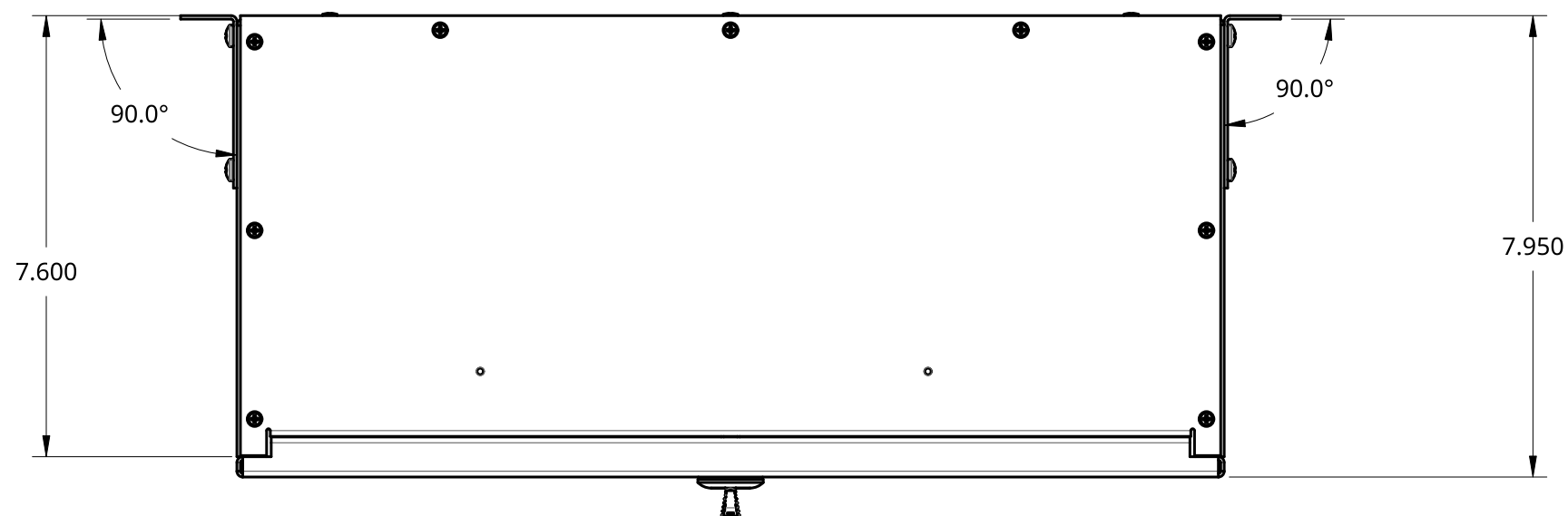


4

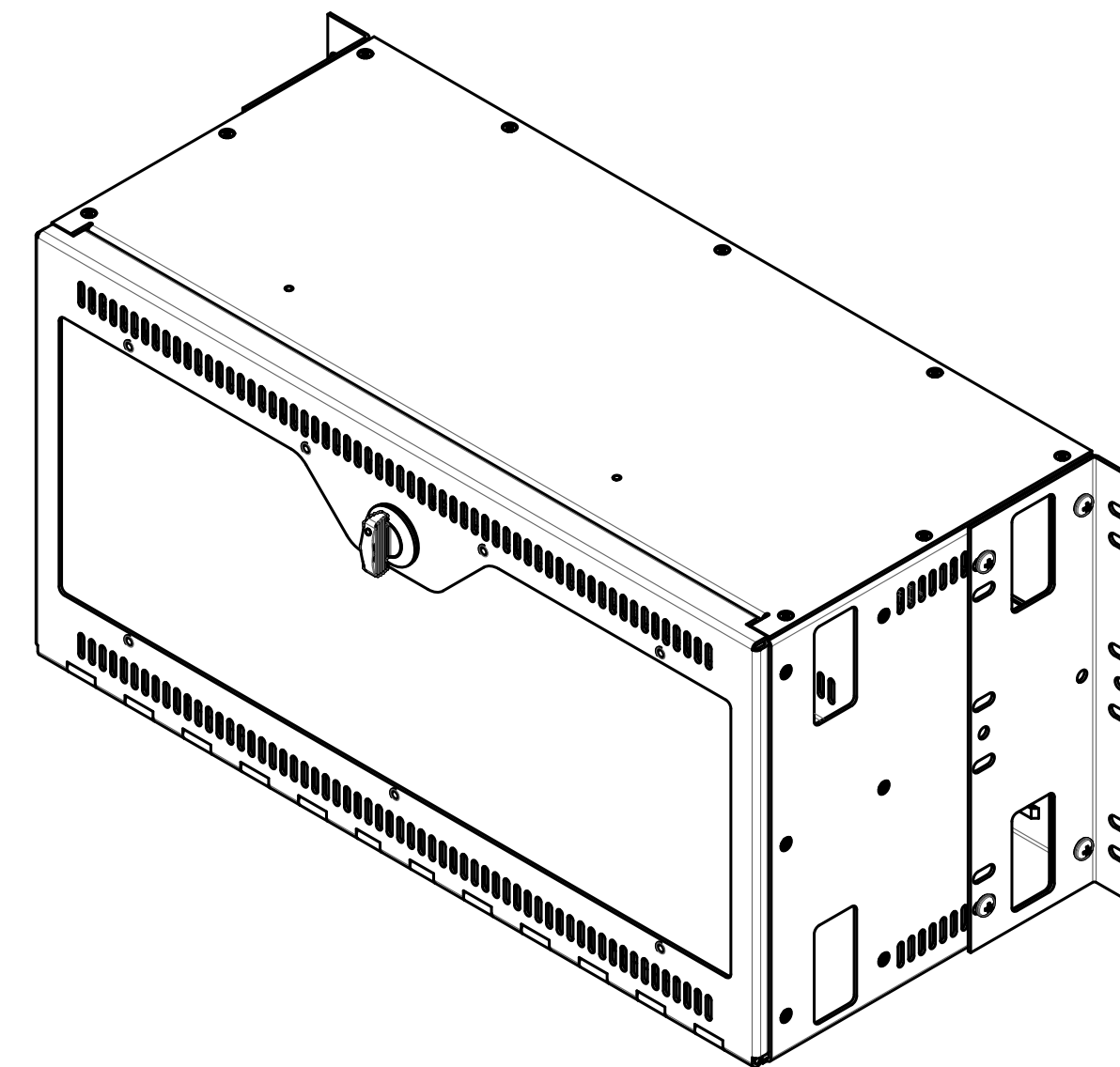
3

2

1



TOP VIEW



D

D

C

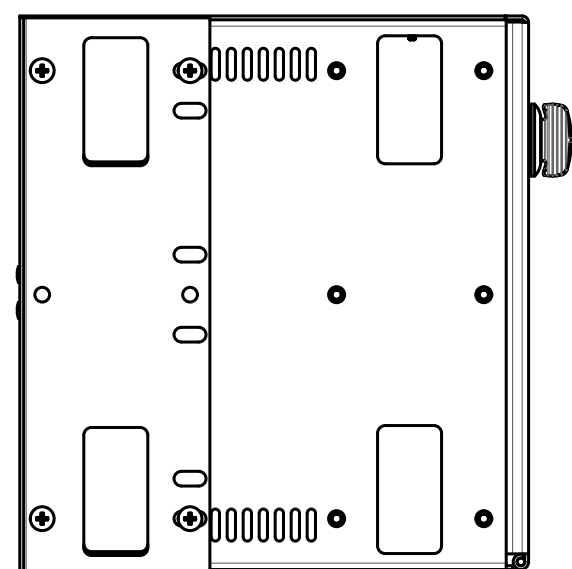
C

B

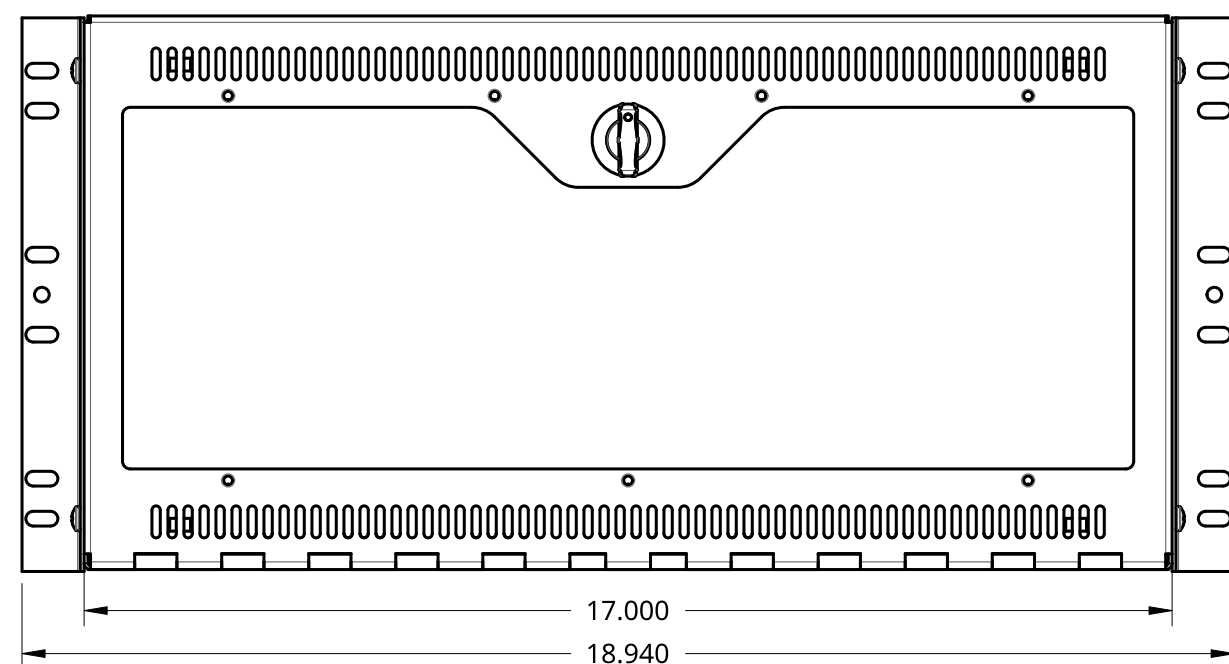
B

A

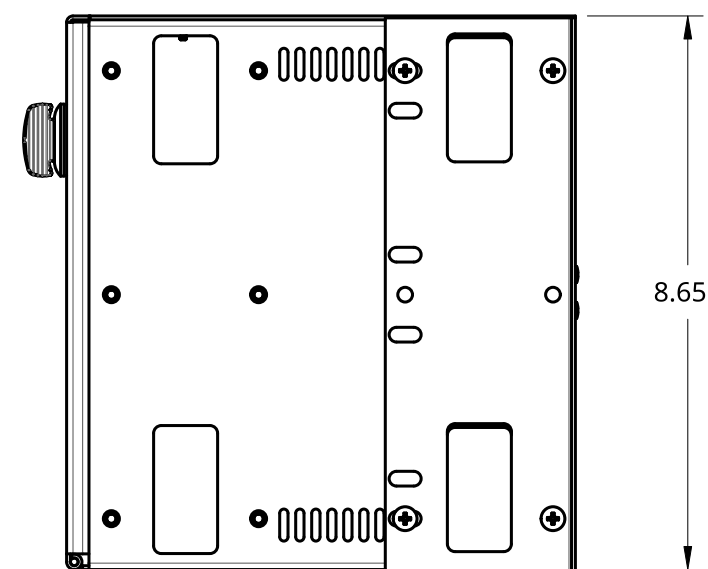
A



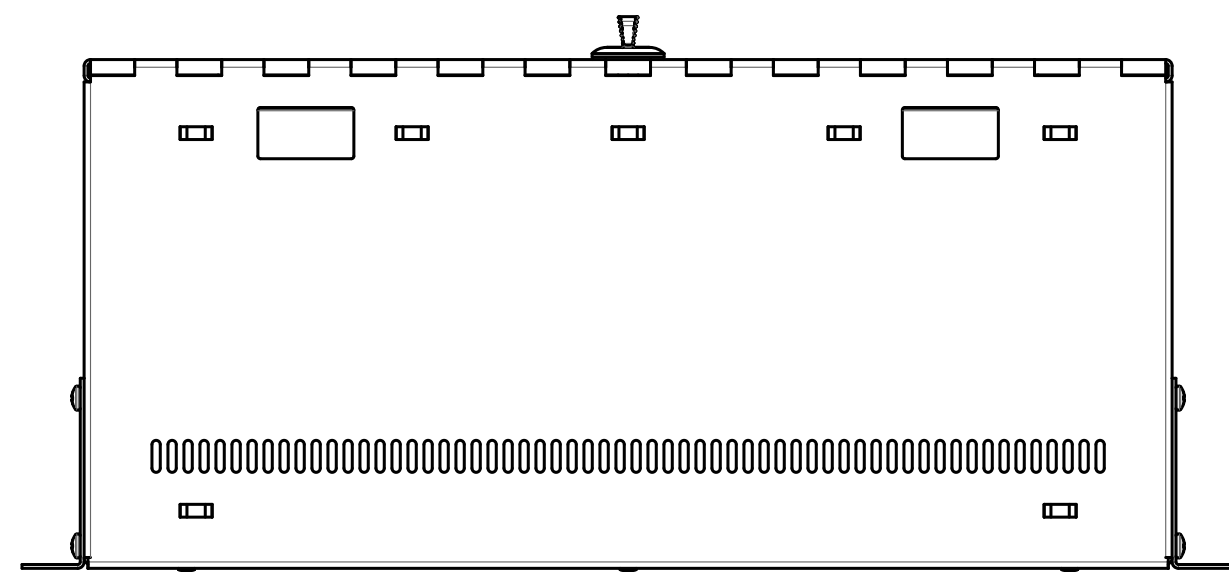
LEFT VIEW



FRONT VIEW



RIGHT VIEW



BOTTOM VIEW

4

3

2

1

	THIRD ANGLE PROJECTION	SIZE	DWG NO.	REV.
		SCALE 1:3	WEIGHT	SHEET 1 of 1
FIBEROPTICLINK		DRH-N-1 - Wall Mount		
		CD-411		A