

4

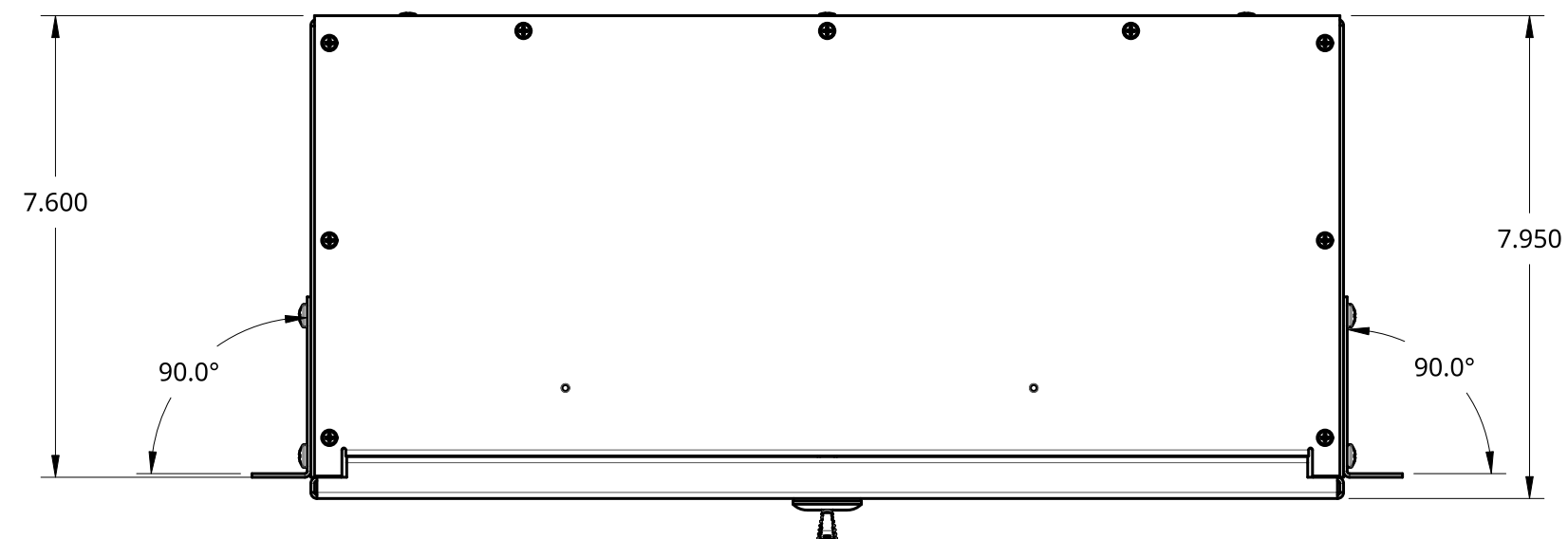
3

2

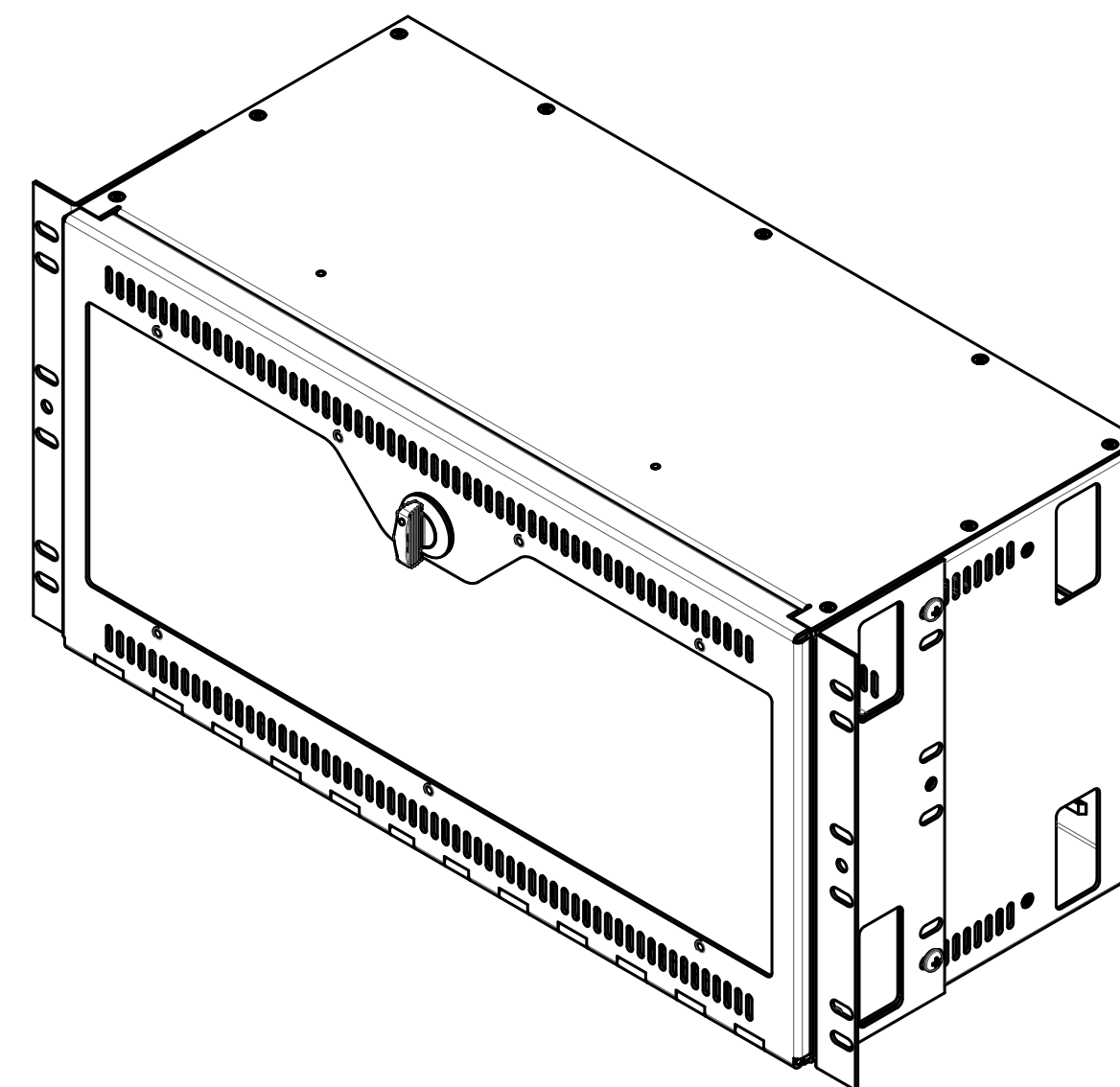
1

D

D

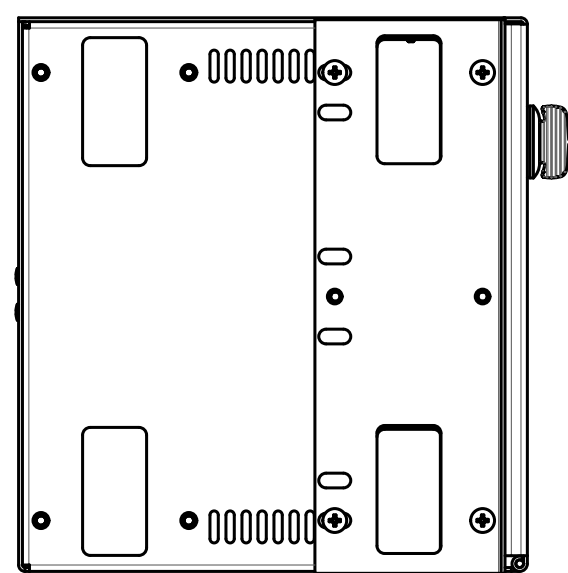


**TOP VIEW**

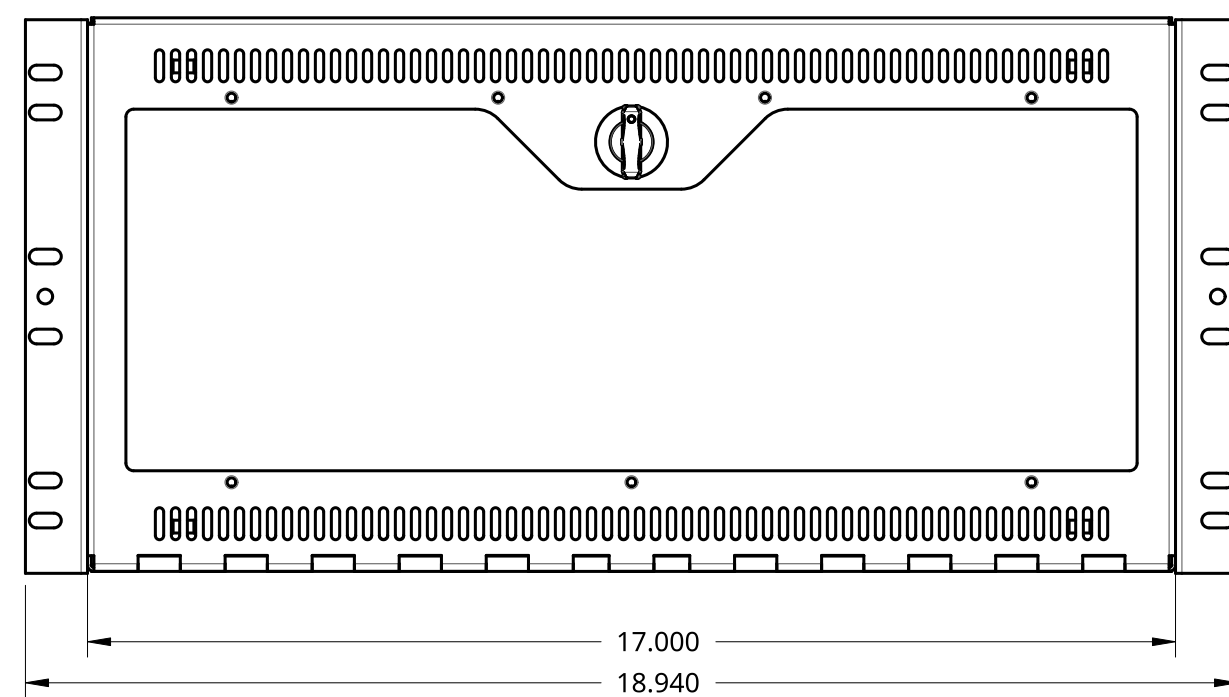


C

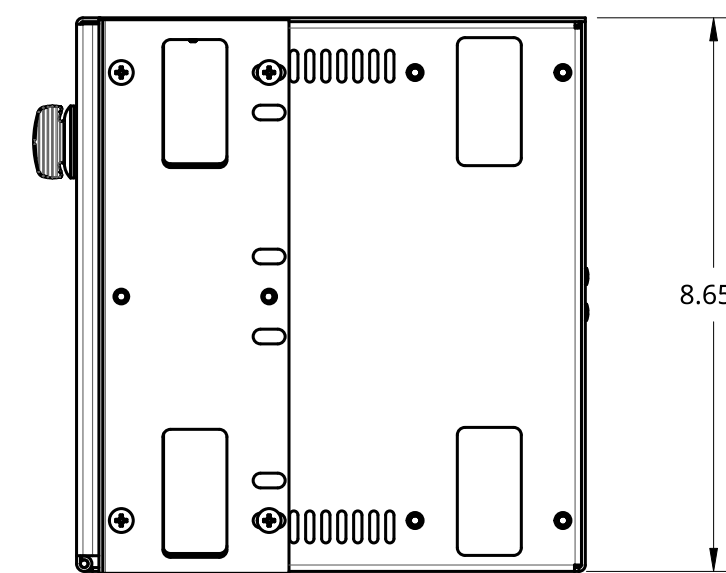
C



**LEFT VIEW**



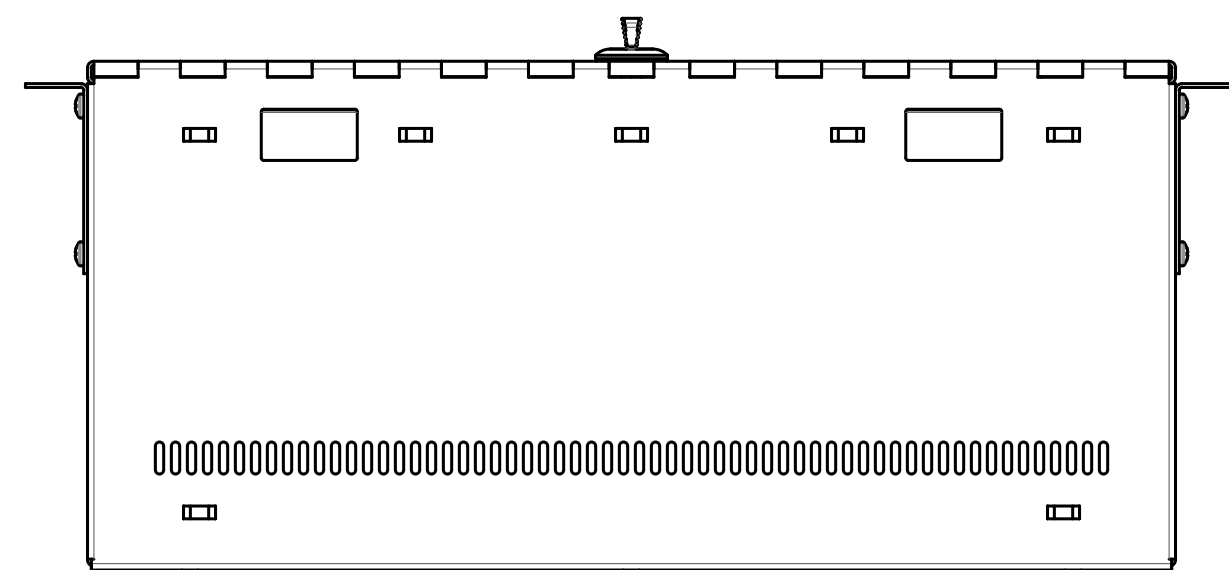
**FRONT VIEW**



**RIGHT VIEW**

B

B



**BOTTOM VIEW**

A

A

TITLE			
DRH-N-1 - 19in Rack Ears			
THIRD ANGLE PROJECTION	SIZE	DWG NO.	REV.
		CD-409	A
SCALE	WEIGHT	SHEET	1 of 1
1:3			

4

3

2

1