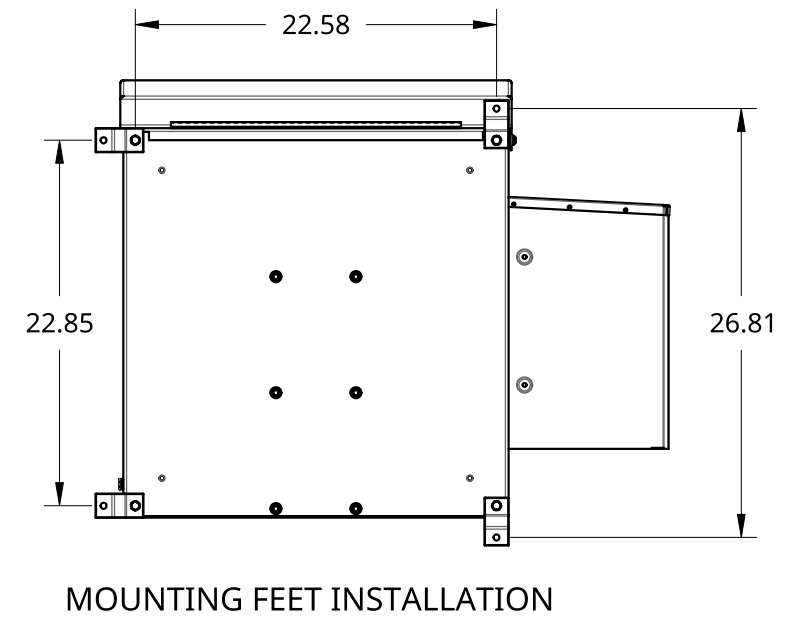
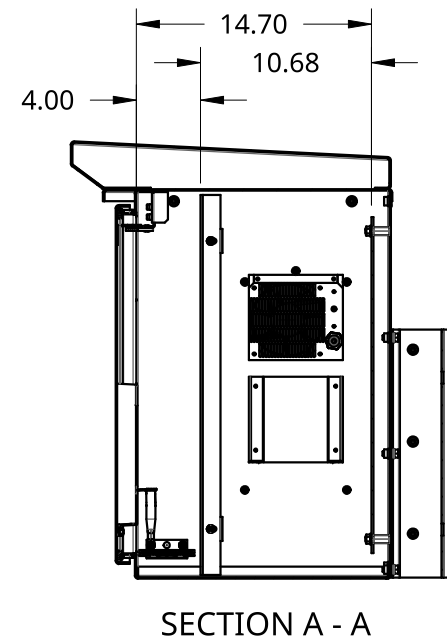
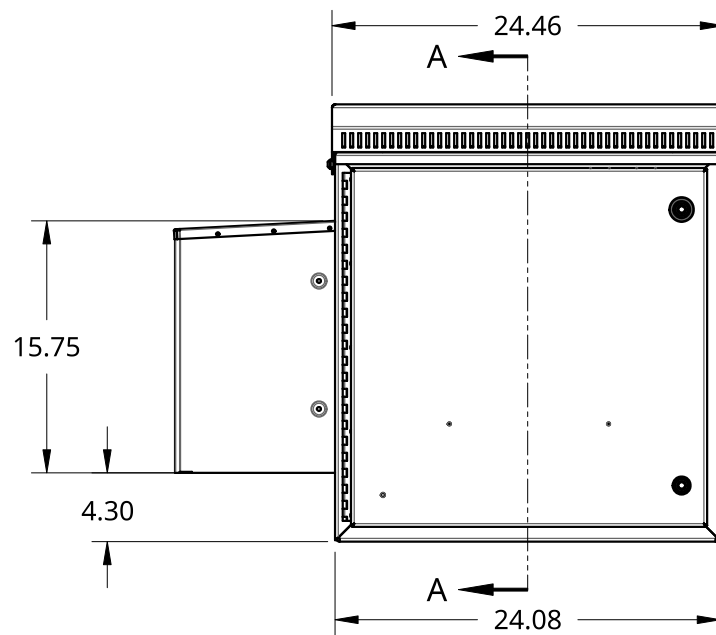
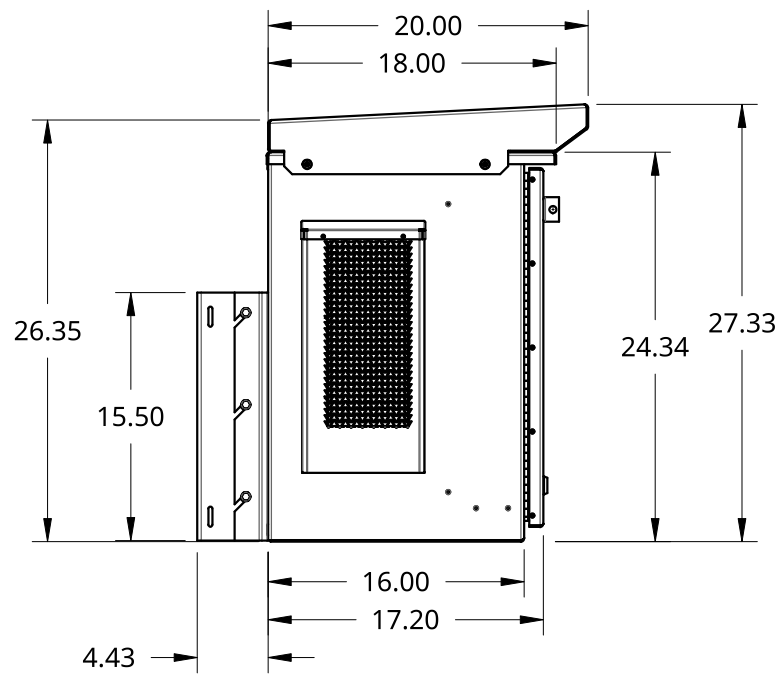
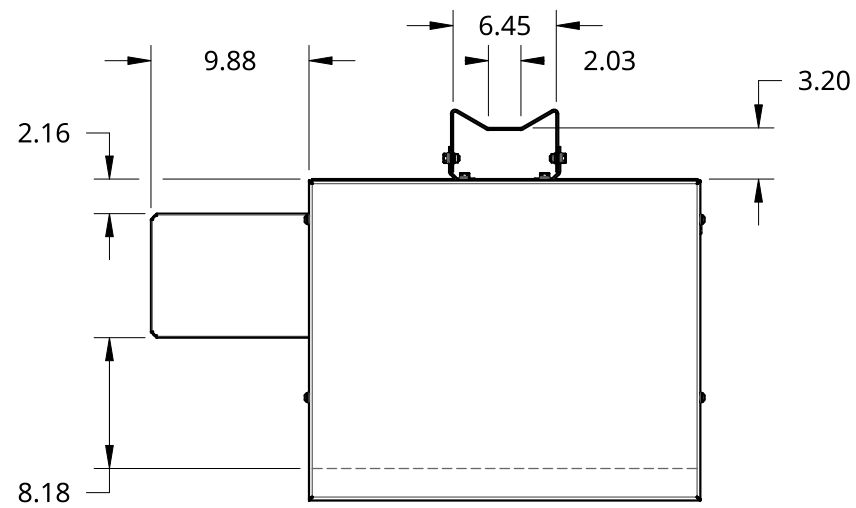
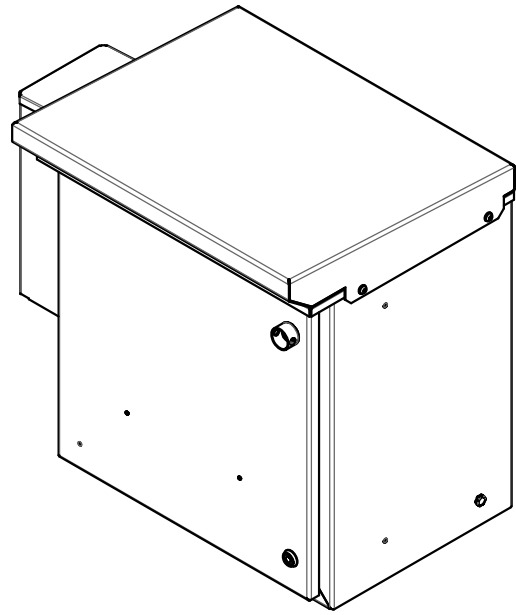


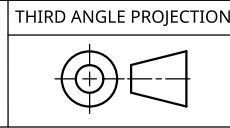
REV	ZONE	DESCRIPTION	DATE	APPROVED
A		INITIAL RELEASE	02/12/2026	KG



TITLE		CORE 24" X 24" X 16" ALUMINUM ENCLOSURE PRODUCT LAYOUT		
SIZE	DWG NO.	REV.		
B	SD-098	A		
SCALE	WEIGHT	SHEET	1 of 1	
1:12				



FIBEROPTICLINK



4

3

2

1

D

D

C

C

B

B

A

A