

4

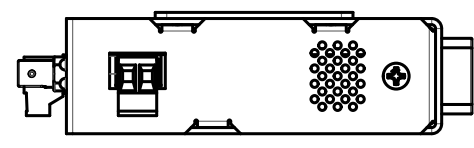
3

2

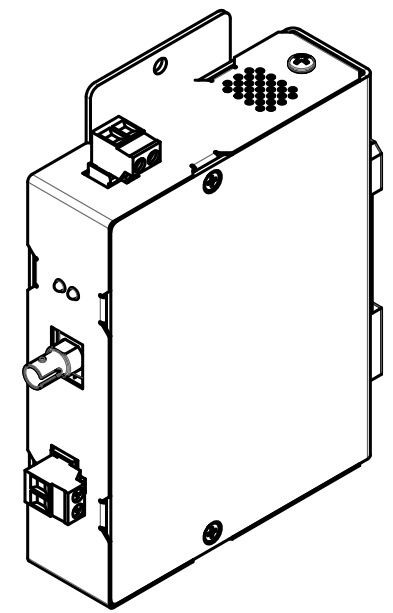
1

D

D

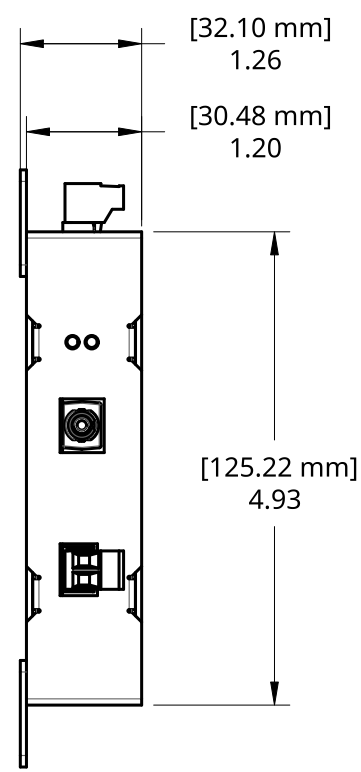


TOP VIEW

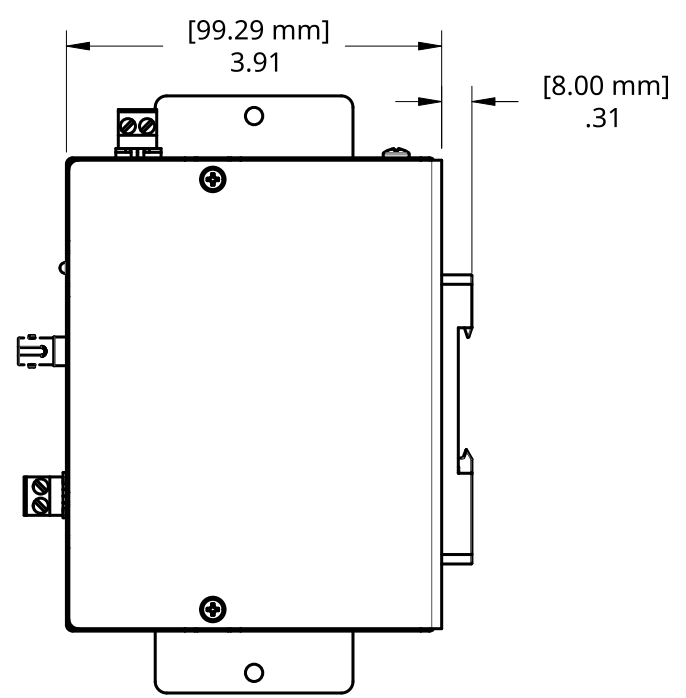


C

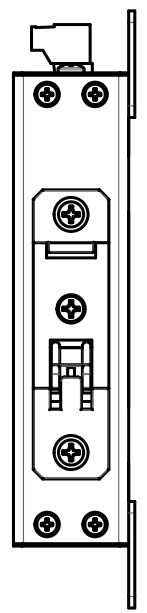
C



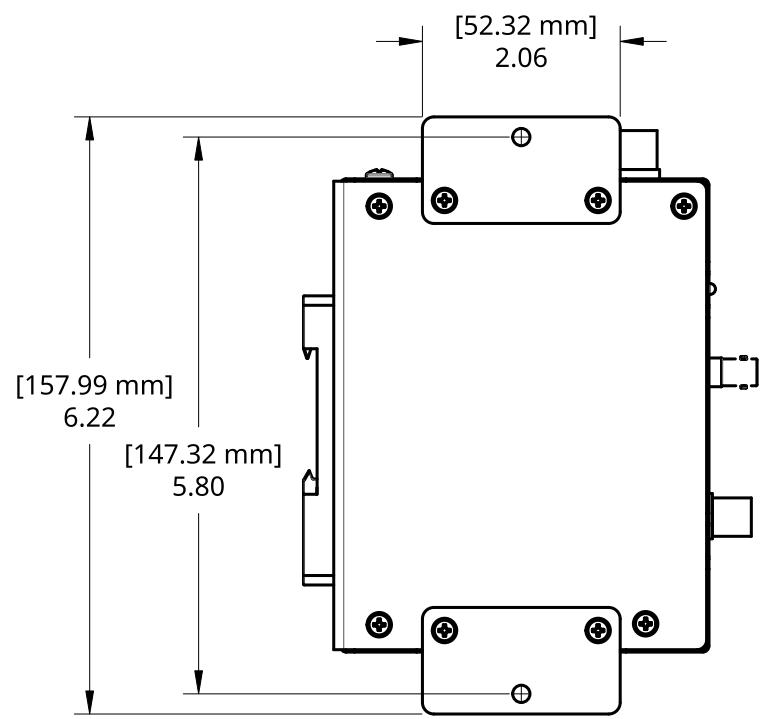
FRONT VIEW



RIGHT VIEW



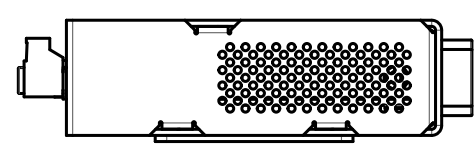
REAR VIEW



LEFT VIEW

B

B



BOTTOM VIEW

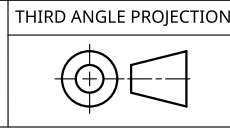
A

A

TITLE			
1CD-XX-1 -Transmitter-Wall Rev D			
SIZE	DWG NO.	REV.	
B	CD-397	A	
SCALE	WEIGHT	SHEET	1 of 1
1:2			



FIBEROPTICLINK



4

3

2

1