

4

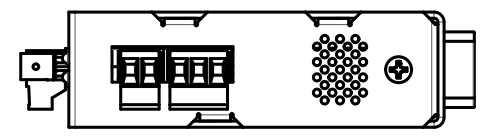
3

2

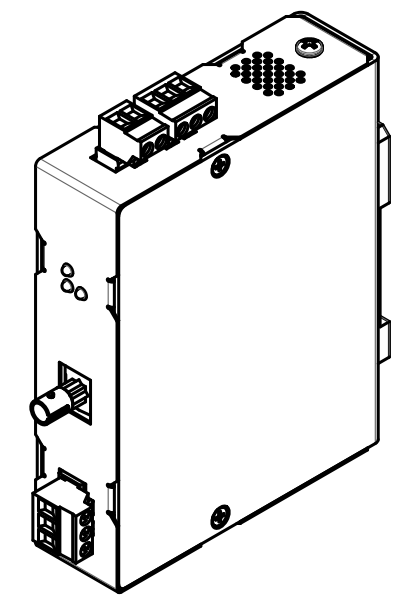
1

D

D

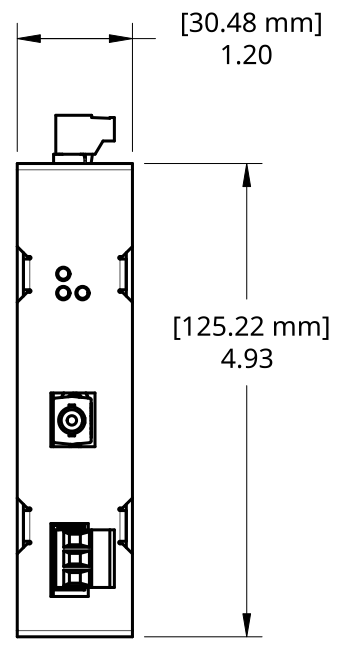


TOP VIEW

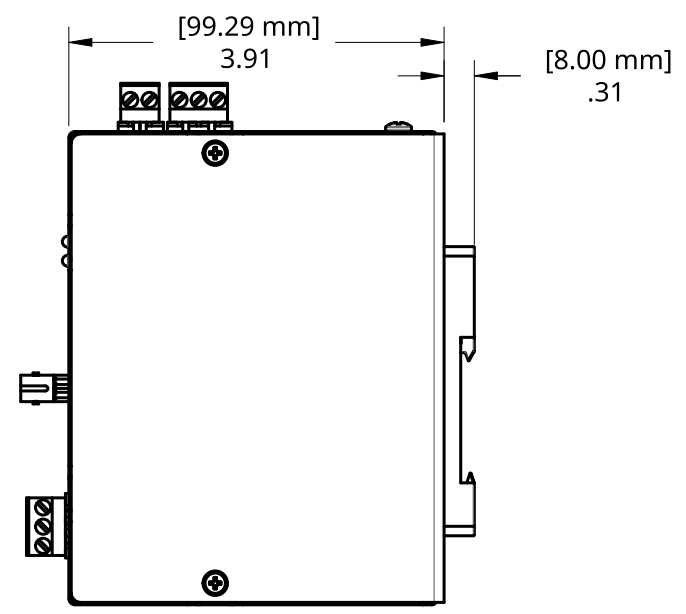


C

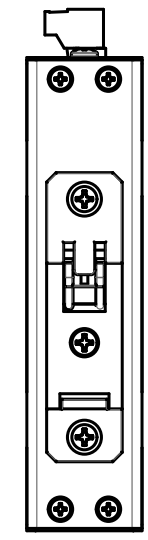
C



FRONT VIEW



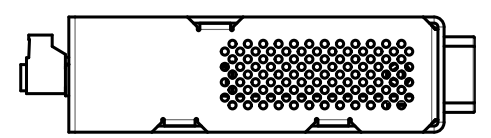
SIDE VIEW



REAR VIEW

B

B




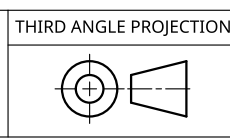
BOTTOM VIEW

A

A

TITLE			
1CD-XX-1 - Receiver-DIN Rev D			
SIZE	DWG NO.	REV.	
B	CD-383	A	
SCALE	WEIGHT	SHEET	
1:2		1 of 1	


FIBEROPTICLINK
 RLH Industries, Inc.



4

3

2

1