

4

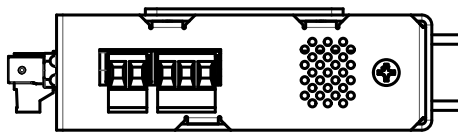
3

2

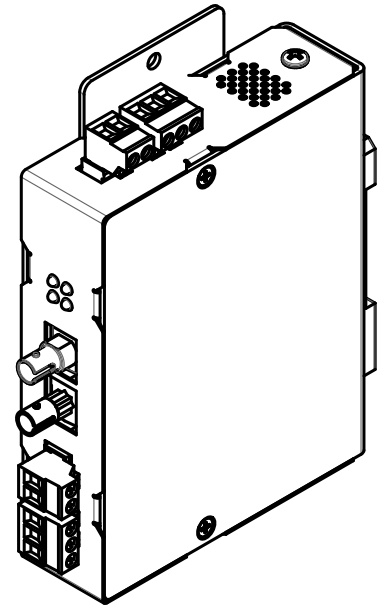
1

D

D

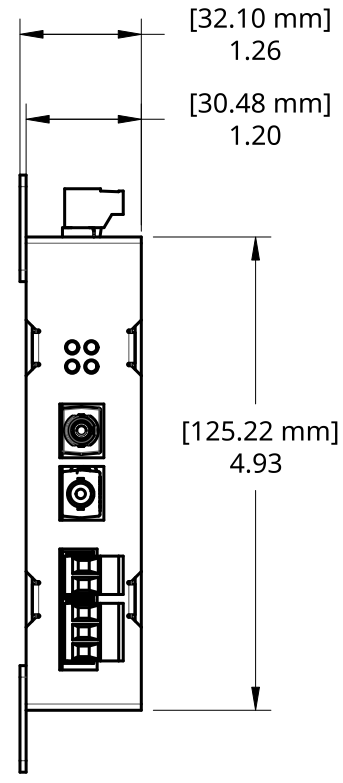


TOP VIEW

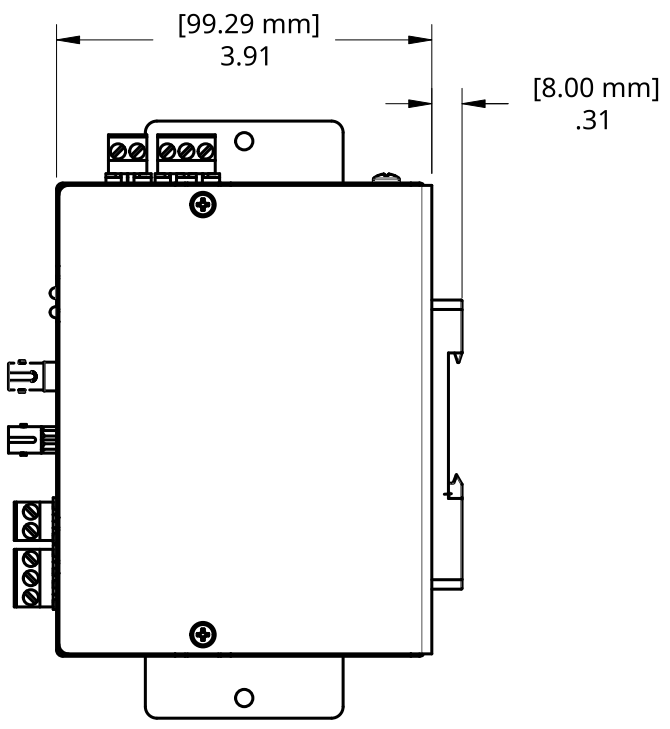


C

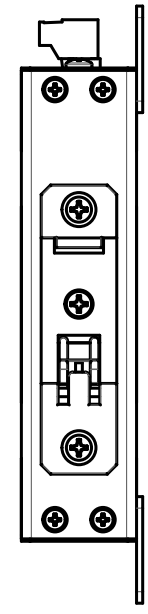
C



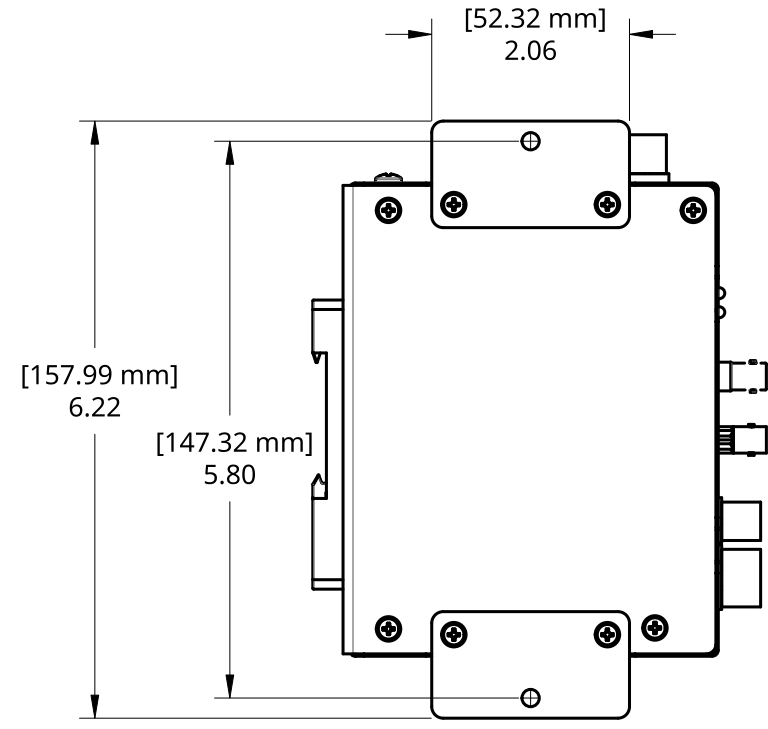
FRONT VIEW



RIGHT VIEW



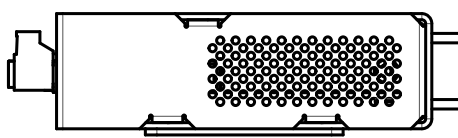
REAR VIEW



LEFT VIEW

B

B



BOTTOM VIEW

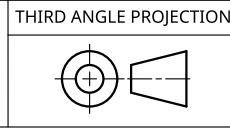
A

A

TITLE			
1CD-IO-XX-1-Wall - Rev D			
SIZE	DWG NO.	REV.	
B	CD-395	A	
SCALE	WEIGHT	SHEET	
1:2		1 of 1	



FIBEROPTICLINK



4

3

2

1