

4

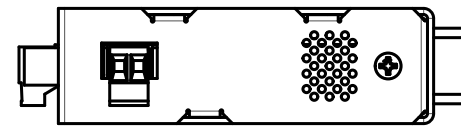
3

2

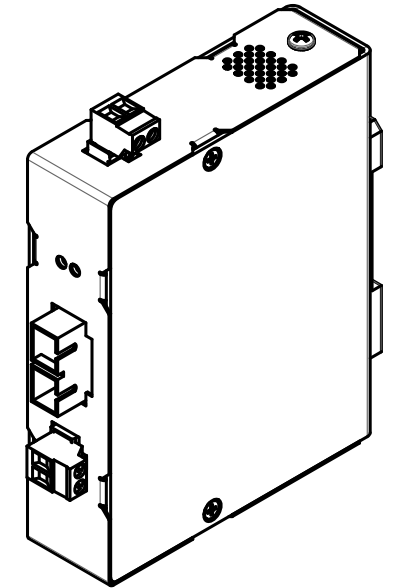
1

D

D

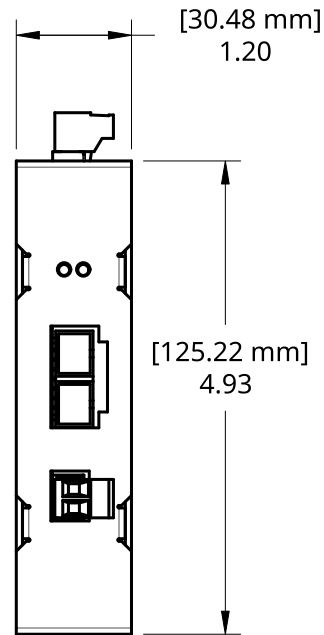


TOP VIEW

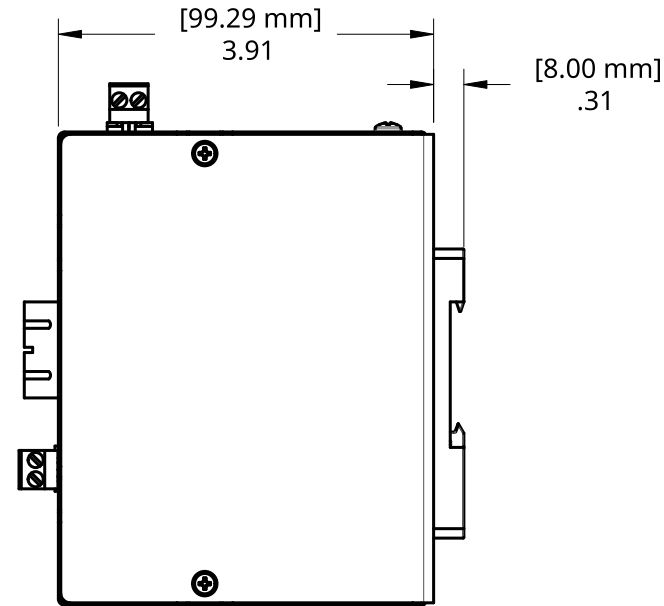


C

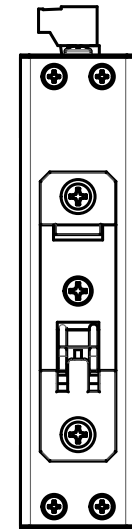
C



FRONT VIEW



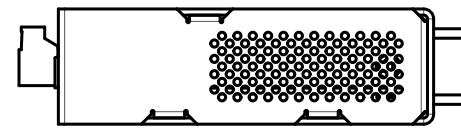
SIDE VIEW



REAR VIEW

B

B



BOTTOM VIEW

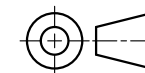
A

A



FIBEROPTICLINK

THIRD ANGLE PROJECTION



TITLE			
AD-XXXXX-XX-1-Transmitter-DIN Rev B			
SIZE	DWG NO.	REV.	
B	CD-390	A	
SCALE	WEIGHT	SHEET	1 of 1
1:2			

4

3

2

1