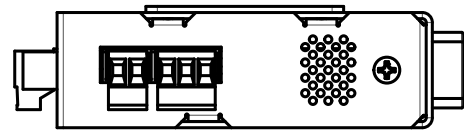


4

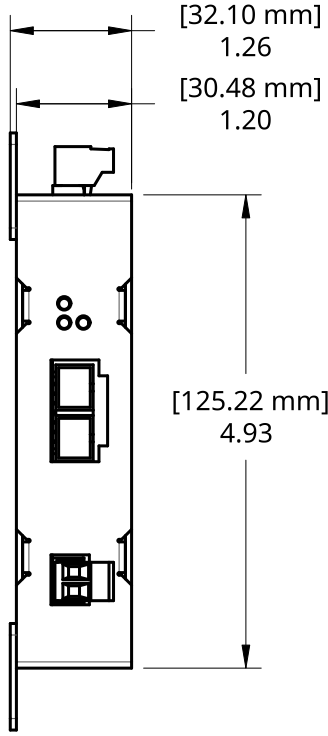
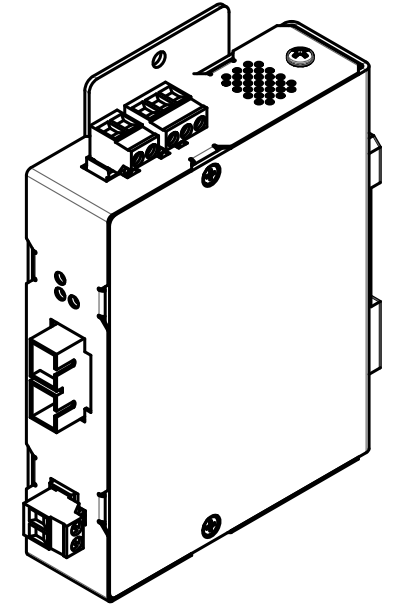
3

2

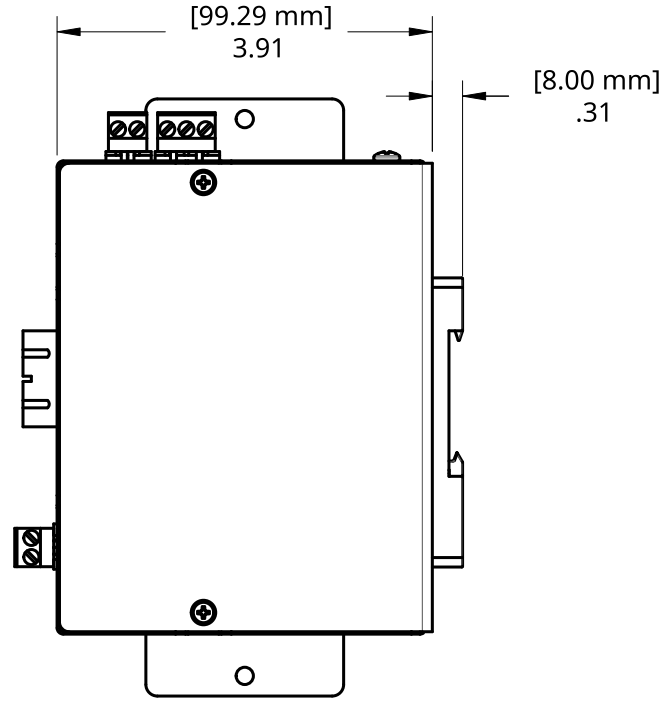
1



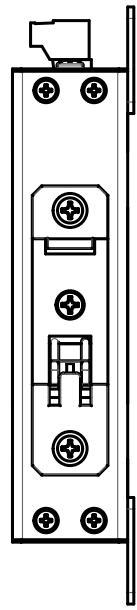
TOP VIEW



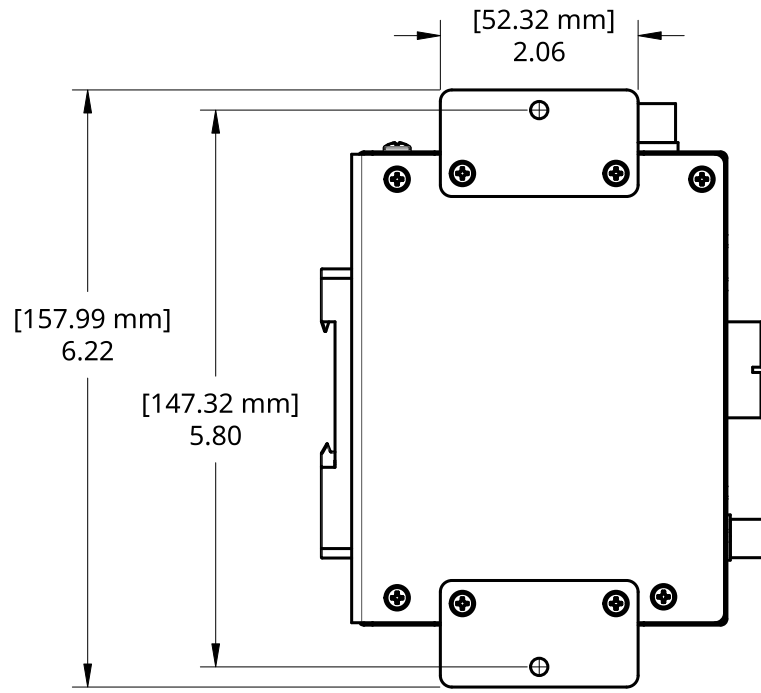
FRONT VIEW



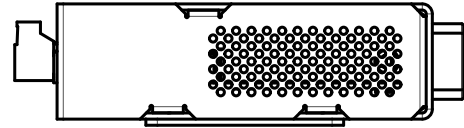
RIGHT VIEW



REAR VIEW



LEFT VIEW

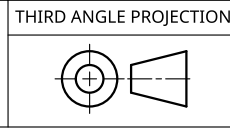


BOTTOM VIEW

TITLE			
AD-XXXXX-XX-1-Receiver-Wall Rev B			
SIZE	DWG NO.	REV.	
B	CD-402	A	
SCALE	WEIGHT	SHEET	
1:2		1 of 1	



FIBEROPTICLINK



4

3

2

1

D

D

C

C

B

B

A

A