

4

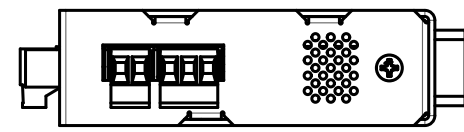
3

2

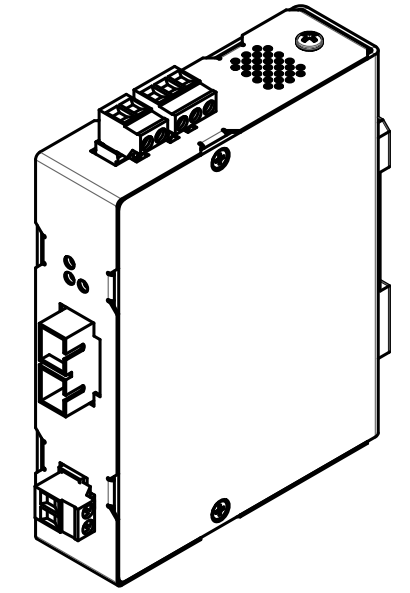
1

D

D

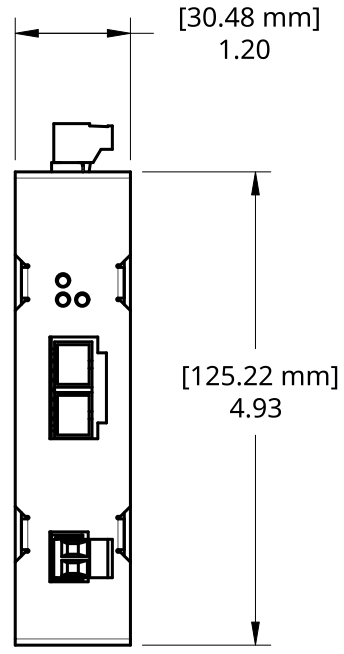


TOP VIEW

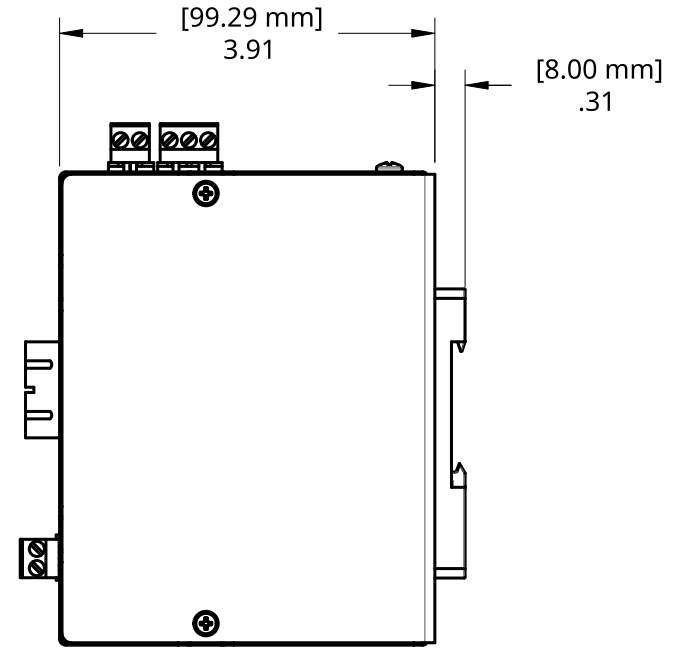


C

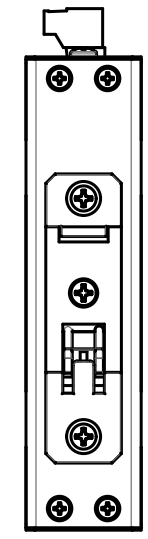
C



FRONT VIEW



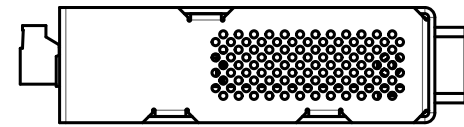
SIDE VIEW



REAR VIEW

B

B



BOTTOM VIEW

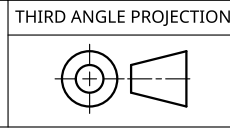
A

A

TITLE			
AD-XXXXX-XX-1-Receiver-DIN Rev B			
SIZE	DWG NO.	REV.	
B	CD-389	A	
SCALE	WEIGHT	SHEET	
1:2		1 of 1	

RLH
RLH Industries, Inc.

FIBEROPTICLINK



4

3

2

1