

Optimum Series 4RU Patch Panel

19"/23" EQUIPMENT RACK COMPATIBILITY
8 ADAPTER PLATES, UP TO 192 FIBERS

Introduction

The RLH Optimum Series 4RU patch panel is one of a series of fully integrated fiber distribution units. The user friendly design makes the Optimum Series the superior solution for fiber patching and/or splicing optical fiber in a 19/23" rack. It holds up to 8 fiber adapter plates (up to 192-fibers), 8 splice trays, and is ideal for installation in a wide variety of environments including equipment rooms, central offices, and outdoor enclosures.

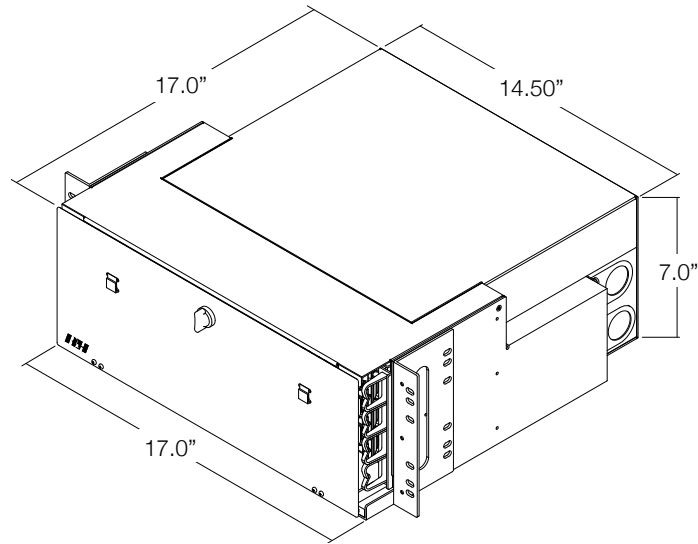
Optimum Series patch panels are constructed from powder coated aluminum alloy, and feature a removable hinged door with quarter-turn cam-lock, removable slide out tray, and removable rear access self-sealing entry grommets. Optional strain relief kits featuring *Peel n' Seal* technology provide proper routing and securing of fiber optic entrance cables every time. Fiber assemblies or pigtails can be custom ordered and pre-terminated into the patch panel for a complete turn-key solution.

Key Features

- Rugged design suited for any environment.
- Installer friendly built-in cable management & splice tray storage.
- Holds 8 adapter plates, up to 192 fiber capacity.
- (EIA) 19" or 23" rack front or mid/center mounting.
- Removable hinged door with latch.
- Self-sealing grommets provide superior dust and rodent protection.
- Convenient fiber identification system.
- Angled adapter plates for optimal fiber routing.
- Removable sliding tray, rear cover, and entry grommets allow for a variety of cable arrangements and maximum ease of fiber installation and maintenance.
- Flexible rear fiber entrance that adapts to every application.
- Additional options include our peel and seal fiber cable strain relief kits, splice trays, adapter plates, and fiber pigtails.
- **Made in the USA**



Dimensional Information



Optimum 4RU Chassis Dimensions

Ordering Information

PRO-4B-1- XXX - XX - X

Plate Number	
A	4 Adapter Plates *
B	6 Adapter Plates *
C	8 Adapter Plates

Adapter Plates	
01	ST Simplex 12 SM
06	ST Simplex 12 MM
31	SC Simplex 12 SM
34	SC Simplex 12 MM
32	SC Duplex 12 SM
35	SC Duplex 12 MM
53	LC Duplex 24 SM
58	LC Duplex 24 MM
54	LC Quad 24 SM
59	LC Quad 24 MM

* Partially loaded patch panels will have blank adapter plates loaded in the empty positions.

Cable Strain Relief Kit	
0	No Strain Relief
1	Kit with 2 Clamps
2	Kit with 4 Clamps

Splice Trays - 24 Fiber Capacity	
0 ~ 8	Quantity of Splice Trays

Pigtails	
N	No Pigtails
A	Single-mode (8-9/125)
V	Multimode (62.5/125) OM1
E	Multimode (50/125) OM2
L	Multimode (50/125) OM3

Example: **PRO-4B-C35-N4-1**

RLH Optimum 4RU with 8 SC Duplex adapter plates, 4 splice trays, and 1 strain relief kit with 2 clamps.