

## Optimum Series 2RU Patch Panel

19"/23" EQUIPMENT RACK COMPATIBILITY  
4 ADAPTER PLATES, UP TO 96 FIBERS

### Introduction

The RLH Optimum Series 2RU patch panel is one of a series of fully integrated fiber distribution units. The user friendly design makes the Optimum series the superior solution for fiber patching and/or splicing optical fiber in a 19/23" rack. It holds up to 4 fiber adapter plates (up to 96-fibers), 4 splice trays, and is ideal for installation in a wide variety of environments including equipment rooms, central offices, and outdoor enclosures.

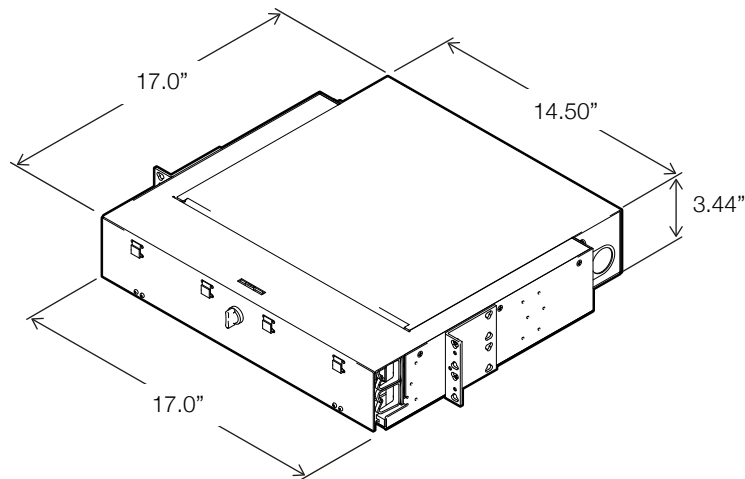
Optimum Series patch panels are constructed from powder coated aluminum alloy, and feature a removable hinged door with quarter-turn cam-lock, removable slide out tray, and removable rear access self-sealing entry grommets. Optional strain relief kits featuring *Peel n' Seal* technology provide proper routing and securing of fiber optic entrance cables every time. Fiber assemblies or pigtails can be custom ordered and pre-terminated into the patch panel for a complete turn-key solution.

### Key Features

- Rugged design suited for any environment.
- Installer friendly built-in cable management & splice tray storage.
- Holds 4 adapter plates, up to 96 fiber capacity.
- (EIA) 19" or 23" rack front or mid/center mounting.
- Removable hinged door with latch.
- Self-sealing grommets provide superior dust and rodent protection.
- Convenient fiber identification system.
- Angled adapter plates for optimal fiber routing.
- Removable sliding tray, rear cover, and entry grommets allow for a variety of cable arrangements and maximum ease of fiber installation and maintenance.
- Flexible rear fiber entrance that adapts to every application.
- Additional options include our peel and seal fiber cable strain relief kits, splice trays, adapter plates, and fiber pigtails.
- **Made in the USA**



## Dimensional Information



**Optimum 2RU Exterior Dimensions**

## Ordering Information

PRO-2B-1- XXX - XX - X

### Plate Number

<b>A</b>	2 Adapter Plates
<b>B</b>	4 Adapter Plates

### Adapter Plates

<b>00</b>	Blank Plate		
<b>01</b>	ST Simplex 12	SM	OS1/2
<b>06</b>	ST Simplex 12	MM	OM1/2
<b>31</b>	SC Simplex 12	SM	OS1/2
<b>32</b>	SC Duplex 12	SM	OS1/2
<b>34</b>	SC Simplex 12	MM	OM1/2
<b>35</b>	SC Duplex 12	MM	OM1/2
<b>37</b>	SC Simplex 12 APC	SM	OS1/2
<b>38</b>	SC Duplex 12 APC	SM	OS1/2
<b>40</b>	SC Simplex 12 10G	MM	OM3/4
<b>41</b>	SC Duplex 12 10G	MM	OM3/4
<b>53</b>	LC Duplex 24	SM	OS1/2
<b>58</b>	LC Duplex 24	MM	OM1/2
<b>63</b>	LC Duplex 24 APC	SM	OS1/2
<b>66</b>	LC Duplex 24 10G	MM	OM3/4

### Cable Strain Relief

<b>0</b>	No Strain Relief
<b>1</b>	1 Strain Relief Clamp
<b>2</b>	2 Strain Relief Clamps

### Splice Trays - 24 Fiber Capacity

<b>0</b>	None
<b>1</b>	1 Splice Tray
<b>2</b>	2 Splice Trays
<b>4</b>	4 Splice Trays

### Pigtails

<b>N</b>	No Pigtails
<b>A</b>	Single-mode (8-9/125) OS1
<b>V</b>	Multimode (62.5/125) OM1
<b>E</b>	Multimode (50/125) OM2
<b>L</b>	Multimode (50/125) OM3
<b>S</b>	Multimode (50/125) OM4

► Example: **PRO-2B-1-B35-N2-1**

RLH Optimum 2RU with 4 SC Duplex adapter plates, 2 splice trays, and 1 strain relief clamp.