

## DIN Rail Housing

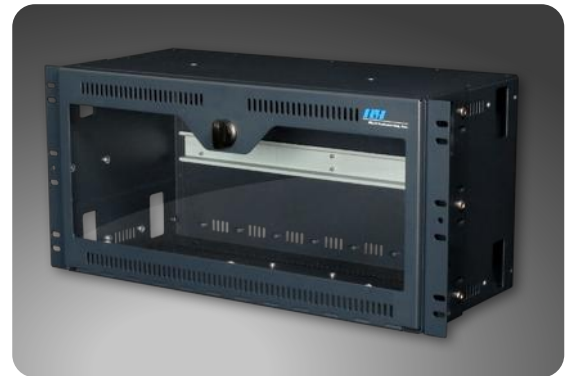
### 19/23" RACK OR WALL MOUNTABLE

#### Introduction

The DIN Rail Housing is designed to safely and securely house DIN rail mounted equipment for wall and rack mount applications. The industrial housing is a steel, powder coated, enclosure with a hinged transparent door for quick assessment of the equipment status and configuration. Access to the inside is easy and secure with a quarter turn latch. An optional key locking latch is also available.

Inside is a 15.8" section of standard 35mm DIN rail for mounting equipment. Multiple cable openings on the sides and bottom allow for flexible cable routing, and plastic cable guides are provided to manage copper and fiber cables into and out of the housing.

The housing may be ordered preconfigured with a 120 Watt AC/DC power supply system for either 24VDC or 48VDC applications. The power supply is pre-mounted on the DIN rail prewired with a breaker, terminal blocks, and a six foot AC pigtail power cord. Approximately (8) eight inches of DIN rail space is available after power system is installed.



DIN Rail Housing

#### Standard Features

EIA 19/23" rack or wall mount (hardware included)

Durable powder coated steel construction

Quarter turn access latch or key locking latch option

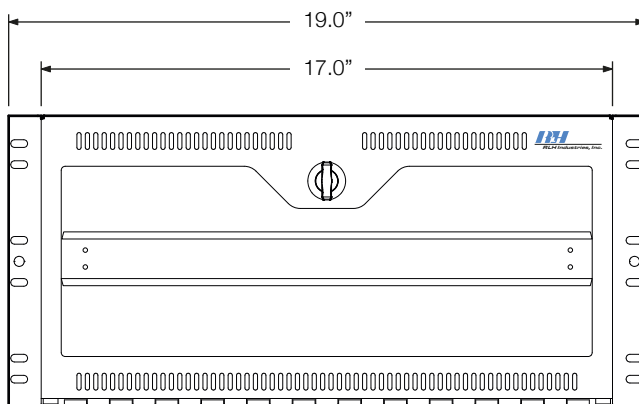
Multiple cable entry and exit points for flexible routing

Hinged door with acrylic window to monitor equipment

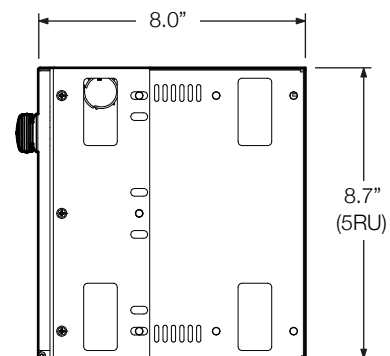
15.8" of usable DIN rail space

Available with an integrated AC/DC 120 Watt powering system (24VDC or 48VDC options)

#### Dimensional Information



Front View



Side View

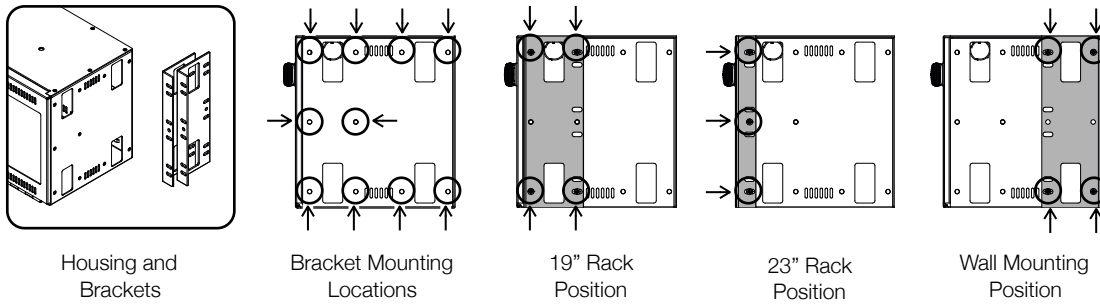
# Installation

Prior to installation:

- Check for shipping damage
- Check the contents to ensure correct model and power options
- Have a clean, dry, rack or wall installation environment ready

## Universal Mounting Brackets

The housing includes (2) two universal mounting brackets and attaching hardware allowing the flexibility to fit into multiple application locations. Below shows the different attaching points for mounting the universal brackets to the housing.

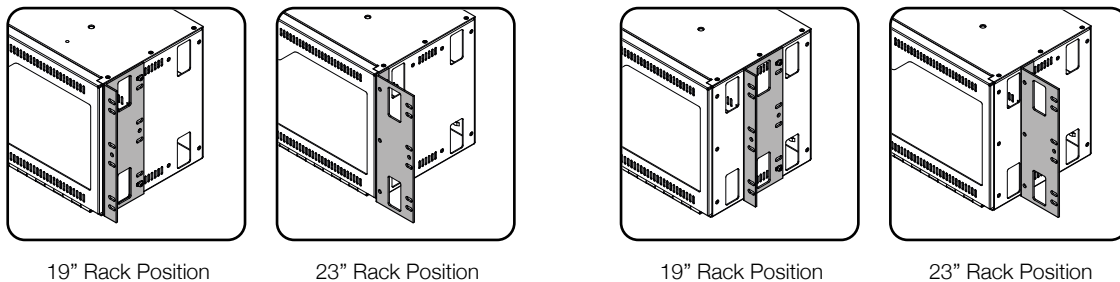


**Universal Mounting Bracket Positions**

## Rack Mounting

Install the universal mounting brackets on the sides at the front for standard equipment racks, or half way back for telco style rack mounting. For 23" rack applications, rotate the universal mounting brackets so the shorter end sits flat on the side of the housing before installing into the rack.

Rack mount hardware is included with the housing. Cables may be routed through the rectangle entry and exit points on the sides, back and bottom of the housing.



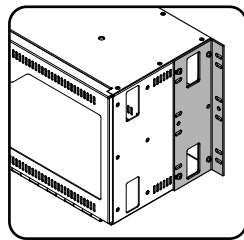
**Standard Rack Mounting**

**Telco Rack Mounting**

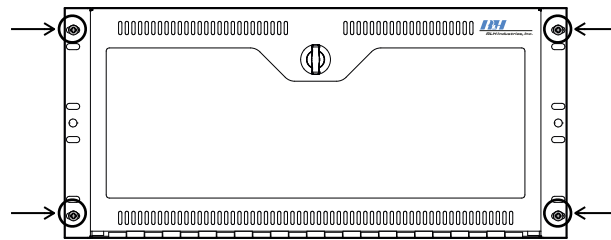
## Wall Mounting

Install the universal mounting brackets on the sides at the back of the housing. For wall mounting to wood backboard, use the included screws and flat washers. For all other mounting surfaces, use appropriate mounting hardware as required.

When installing, choose a location protected from the elements, and make sure there is sufficient room for the front door to open fully. Consider access to AC power, fiber cables, backup batteries and any other connections as required when installing.



Wall Mounting Position



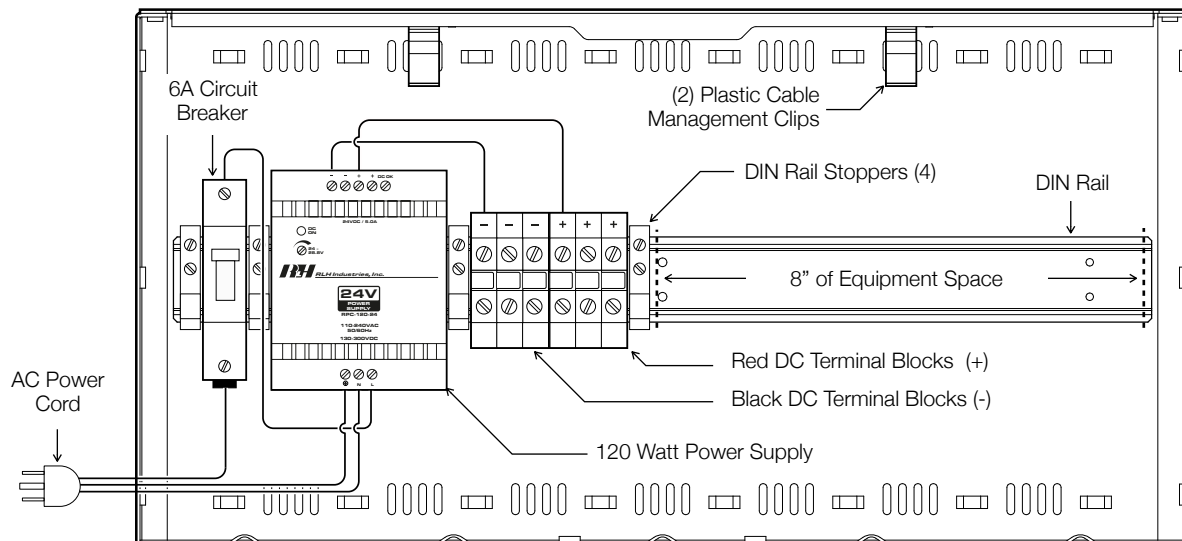
Front View

## Wall Mounting

## AC/DC Power Supply Option

The housing may be ordered preconfigured with a 120 Watt AC/DC power supply system for either 24VDC or 48VDC applications. The power supply is pre-mounted on the DIN rail prewired with a breaker, terminal blocks, and a six foot AC pigtail power cord. Plug the 6 ft. AC power cord into a standard 110V AC receptacle to apply power.

**Note:** The DC power outputs are live when AC or DC input power is present.



Internal View of Preconfigured AC/DC Power System

# General Specifications

## Housing Specifications

<b>Construction</b>	Powder coated steel, standard 35mm DIN-rail, acrylic door, and (2) plastic cable guides
<b>Dimensions</b>	5RU - 17.0" w x 8.7" h x 8.0" d (15.8" of equipment space mounting space, 8.0" of space with integrated power system)
<b>Included in Empty Housing</b>	Universal mounting brackets (19/23" rack / wall) and attaching hardware (keys for key locking latch option)
<b>Included with Power System</b>	120 Watt AC/DC power supply, 6A Circuit Breaker, (3) red DC terminal blocks, (3) black DC terminal blocks, (4) DIN rail stoppers, 16AWG Wiring, 6 ft. AC power cord

## AC/DC Power Specifications

System Type		24VDC (RPC-120-24)	48VDC (RPC-120-48)
<b>Input</b>	Voltage Range	Nominal 110 – 240VAC, 50 – 60Hz or 130 - 300VDC	
	Recommended Breaker	6A	
<b>Output</b>	DC Voltage	24VDC / 5.0A	48VDC / 2.5A
	Voltage Adj. Range	24 ~ 28.8VDC	48 ~ 56VDC
<b>LED Indicators</b>	DC output: Green		
<b>Protection</b>	Overvoltage	<160%	<107%
<b>Environment</b>	Operating Temp.	-25°C – +70°C (-13°F – +158°F ) max	
	Humidity	95% rel. H max	
<b>Safety &amp; EMC</b>	Standards	IEC 60950-1, EN 60950-1 (output SELV), UL 60950-1, UL 508, EN 50178, EN 60204, EN 61558-2-8.	
	Harmonic Limits	EN 61000-3-2, Class A	

## Ordering Information

Standard Latch - Description	Part Number
DIN Rail Housing - Empty	<b>DRH-N-1</b>
DIN Rail Housing with 24VDC Power Supply System	<b>DRH-N-24-1</b>
DIN Rail Housing with 48VDC Power Supply System	<b>DRH-N-48-1</b>
Key Locking Latch - Description	Part Number
DIN Rail Housing - Empty	<b>DRH-S-1</b>
DIN Rail Housing with 24VDC Power Supply System	<b>DRH-S-24-1</b>
DIN Rail Housing with 48VDC Power Supply System	<b>DRH-S-48-1</b>



RLH Industries, Inc.  
936 N. Main Street, Orange, CA 92867 USA  
T: (714) 532-1672  
F: (714) 532-1885

Please contact your RLH sales representative for pricing and delivery information.

Specifications subject to change without notice.