

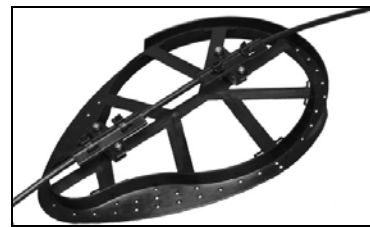
**RLH Industries, Inc. ADSS Storage Bracket**  
**P/N 8806-1376-01**

**Description**

The RLH ADSS Storage Bracket has been designed with two purposes in mind. The first is to eliminate the need for slack storage vaults and allow for ADSS slack to be stored aerial for later use. The second purpose is to allow for a butt splice closure in the span. The storage brackets 16" diameter protects the minimum bend radius of the fiber optic cable while establishing proper installation practices. The RLH ADSS Storage Brackets are durable and cost effective for storing fiber optic cable.

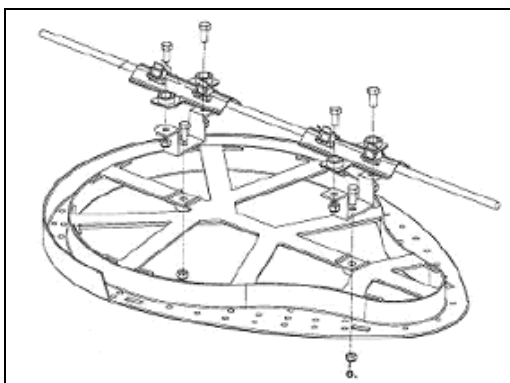
**Features**

- Eliminates need for storage vaults.
- Prevents micro bends in fiber optic cable.
- Plastic design makes bracket non-conductive.
- Minimizes infringement of pole space.

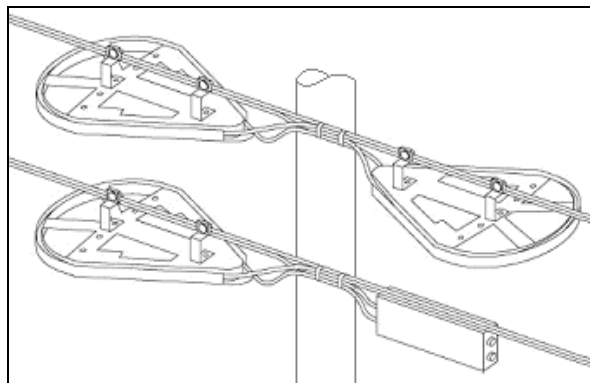


**Installation**

Installer can simply lay the cable in the trough of the storage bracket, leaving both hands free to secure the unit. The bracket has countersunk nut wells for easy one tool installation (figure 1). Brackets may be stacked for multiple cable configurations. Slots in the trough allow for securing the cable with tie-wraps or stainless steel straps. Storage brackets can be used back to back for storage or individually for butt splice installations (figure 2).



**Figure 1.**



**Figure 2.**