

# 8+2 Managed Gigabit SFP Switch

## INDUSTRIAL, RUGGED, & COMPACT

RLH managed industrial switches are engineered to provide reliable network performance in harsh environments. The 8+2 Managed Gigabit SFP switch provides both copper and fiber Gigabit Ethernet access. This environmentally hardened layer 3 switch is manageable and offers a wide array of configuration and monitoring options.

Our feature rich industrial switch meets the demands of a variety of applications, and are an ideal solution for a wide range of utility and automation environments.



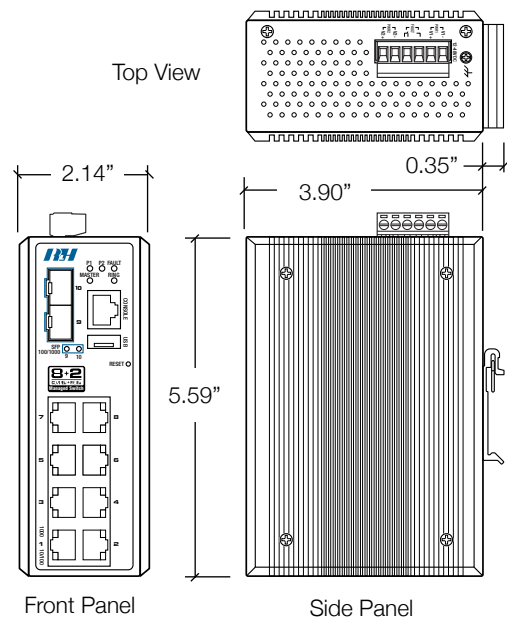
8+2 Managed Gigabit SFP Fiber Switch

### Key Features

- Hardened design has a wide operating temperature range -40°F to +167°F (-40°C to +75°C)
- 2 Dual Rate SFP ports - 100Mbps & 1Gbps
- 8 ports of Gigabit Ethernet
- Supports Jumbo Frames
- Auto MDI/MDI-X
- Store-and-forward switching architecture
- Rugged case rated to IP30
- 12-48VDC redundant power inputs with built-in alarm
- 2kV surge protection
- DIN rail & wall mountable

### Management Features

- Layer 3 switch
- Static Routing
- Configuration via Web, Serial, Telnet, & SSH
- Supports SNMPv3
- Supports IEEE 802.1q VLANs



Dimensional Information

## General Specifications

<b>Data Process</b>	Store & Forward, CSMA/CD	
<b>Standards</b>	IEEE 802.3 10BaseT Ethernet	IEEE 802.1w RSTP (Rapid Spanning Tree Protocol)
	IEEE 802.3u 100BaseTX Fast Ethernet	IEEE 802.1s MSTP (Multiple Spanning Tree Protocol)
	IEEE 802.3ab 1000BaseT	IEEE 802.1Q Virtual Local Area Network (VLAN)
	IEEE 802.3z Gigabit Fiber	IEEE 802.1ad Stacked VLAN, Q-in-Q
	IEEE 802.3x flow control	IEEE 802.1p QoS/CoS Protocol for Traffic Prioritization
	IEEE 802.1d STP (Spanning Tree Protocol)	IEEE 802.1X Network Authentication
	ITU-TG.8032 / Y.1344 ERPS (Ethernet Ring Protection Switch)	OSI Layer 3 Switch
<b>Protocols</b>	IGMP v1/v2, SNMP v1/v2c/v3, TFTP, SNTP, SMTP, RARP, Syslog, STP, RSTP	
<b>Transfer Rate</b>	14,880pps - Ethernet port	
	148,800pps - Fast Ethernet port	
	1,488,000pps - Gigabit Ethernet port	
<b>Transmission Distance</b>	Up to 100 Meters over twisted pair	
<b>Transmission Speed</b>	Up to 1000Mbps	
<b>MAC Address</b>	8K table size	
<b>Ethernet Interface</b>	Supports Jumbo Frames, Auto MDI/MDI-X, Auto-Negotiation	
<b>Ethernet Ports</b>	(8) 10/100/1000 Mbps	
	(2) SFP Slots, Accepts 100 or 1000 Mbps speed modules	
<b>LED Status Indicators</b>	Power 1 (P1), Power 2 (P2), Fault, Master, Ring Ethernet Ports (Link and Activity)	
<b>Power Protection</b>	Over Current, Power Reversal, Polarity Protection	
<b>Power Input</b>	12~48VDC redundant power inputs (6 position pluggable terminal block)	
<b>Max Power Consumption</b>	15 Watts	
<b>Fault Output</b>	1 Relay output rated for 24VDC @ 1 Amp	
<b>Operating Temperature</b>	-40°F to 167°F (-40°C to 75°C)	
<b>Storage Temperature</b>	-40°F to 185°F (-40°C to 85°C)	
<b>Operating Humidity</b>	5% to 95% (Non-Condensing)	
<b>Construction</b>	Powder coated IP30 steel housing	
<b>Case Dimensions</b>	2.14" (W) x 3.90" (D) x 5.59" (H), (54mm x 99mm x 142mm)	
	*Not including connectors or DIN bracket	
<b>Installation</b>	Standard DIN rail (T-35) or wall mount *Wall mount brackets included	
<b>EMI</b>	FCC Class A, CE EN61000-4-2/3/4/5/6/8, CE EN61000-6-2, CE EN61000-6-4	
<b>Stability Testing</b>	IEC60068-2-32 (Free fall), IEC60068-2-27 (Shock), IEC60068-2-6 (Vibration)	
<b>Safety</b>	CE, FCC Class A, UL 61010-1 3rd Edition and UL 61010-2-201 1st Edition, File Number: E480850	
<b>Warranty</b>	Limited 5 years <i>Visit <a href="http://www.fiberoptick.com">www.fiberoptick.com</a> for warranty details</i>	

## Ordering Information

Description	Power Input	Ports	Part Number
8+2 Managed Gigabit SFP Switch	12~48VDC	(8) Gigabit Ethernet (2) Gigabit SFP Slot	<b>ETH-82GM-1</b>

- ▶ SFP Transceivers are ordered separately. See a list of RLH SFP Transceivers at our website.
- ▶ Please contact your RLH sales representative for pricing and delivery information.