



RLH Industries, Inc.

## PRODUCT INFORMATION

The leader in  
rugged fiber optic  
technology.

PI-027 2017A 0511

# 4W Data Card Powering by DST Simplified Sealing Current

### Wiring Instructions

1. Connect DST Mounting Customer Pins DTT/DTR or T/R to RLH 4W Data Card RECEIVE OUTPUT terminals.
2. Connect DST Mounting Customer Pins DRT/DRR or T1/R1 to RLH 4W Data Card SEND INPUT terminals.
3. Connect DST Mounting Pins SXT/SXR to RLH 4W Data Card 24V-54V AUX. P.S. terminals.
4. Set DST Sealing Current Option to "TERM" setting.

### Compatible NCTE Mountings\*

Westell 1-Pos. 295I2 (CLEI: NCMDCR03RA)

Westell 6-Pos. USAWM-060I2 (CLEI: NCMUAA05RA)

\* Mounting must have access to SXT/SXR terminals

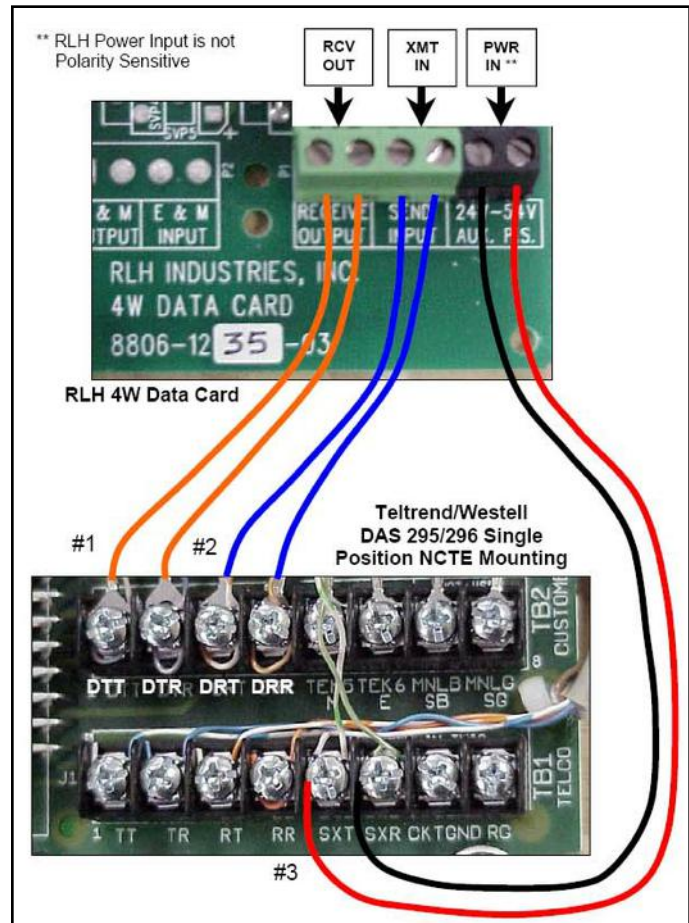
### Compatible DST Cards

Engenuity DST2496I2 (CLEI: DSTOBFCAA)  
(VZ ID: 11028546)

Engenuity SDS5486SBI2 (CLEI: NCC1HPHEAA)

Engenuity SDS5496LGI2 (CLEI: NCD3JMHDA)  
(VZ ID: 934461)

Engenuity SDS5497FAI3 (CLEI: NCC1HJK4AA)  
(VZ ID: 87295570)



### Functional Layout Diagram

