

## USER GUIDE

### 48" x 36" x 16" – Fiberglass Enclosure

#### Large Outdoor Weatherproof Fiberglass Equipment Enclosure

This NEMA 4X compression molded fiberglass enclosure features a fire treated and painted plywood backboard for easy field installation of communication devices and equipment in indoor or outdoor environments.

The enclosure is UL Listed, non-corrosive, non-conductive, light weight, and easy to modify. The added water and dust proof NEMA 4X vents provide convection cooling to further protect installed equipment. Enclosures can be secured with a padlock and the include mounting feet can be used for wall or strut mounting. An optional pole mount kit is available for order separately.

Customized enclosures and turn-key solutions to fit your specific applications needs are available from the RLH Industries design group. Please contact an RLH sales representative for more information about our enclosure modification and design program.

#### Key Features

- Weatherproof design for outdoor use
- Heavy duty fiberglass enclosure
- Fire treated and painted 3/4" plywood backboard
- EPDM Spring loaded gasket for weathertight door seal
- Weatherproof NEMA 4X side and bottom vents
- 11 position ground bar, accepts #10 to #1/0 AWG ground wire
- Stainless steel pad lockable quarter turn latches
- Includes molded flange for wall/strut mounting, optional pole mount kit available
- Factory installed options available: include fans, heaters, thermostats, and more
- Made in USA

#### Enclosure Features



48" x 36" x 16" – Fiberglass Enclosure



Open Showing Backboard

## Ordering Information

Description	Part Number
48" x 36" x 16" Fiberglass Enclosure with Treated 3/4" Wood backboard	RLH-483616-F-1
Large Enclosure Pole Mount Kit for Poles Sized 4"-12"	PMK-LARGE-F-1

## Key Specifications

### Construction

Material:	Fiberglass
Weight Enclosure:	111 lbs. / 50.4kg
Exterior Dimensions:	37.1" (W) x 16" (D) x 48" (H), (943mm x 407mm x 1220mm) *not including flange height
Usable interior Depth:	12.2" to 13.4" (varies with document pocket on door)
Venting:	NEMA 4X Vents to provide air circulation, 2 side vents, 2 bottom vents

### Mounting

Wall/Strut Mounting via Molded Flange  
Accommodates 5/8" bolt for wall or strut mounting  
Optional Pole Mount Kit: Strap attachment, fits 4" to 12" diameter poles

### Access

Hinged door with weatherproof gasket seal  
Pad lockable latches

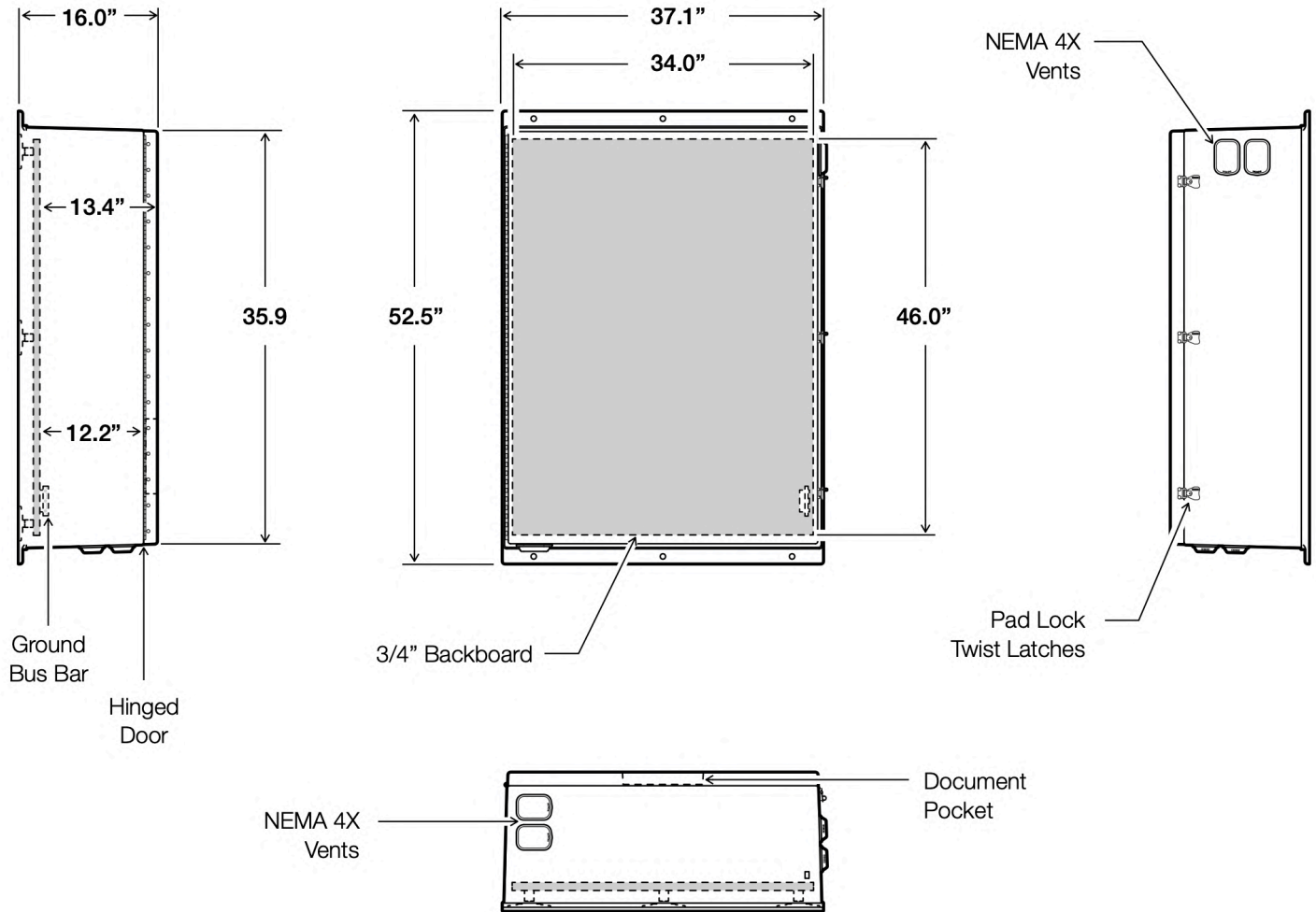
### Interior Details

Usable Backboard:	34" (W) x 46" (H)
Backboard Type:	3/4" thick fire treated, painted plywood
Ground Bus:	11 position ground wire capacity (Qty. 8 – #10 to #6 AWG, Qty. 3 – #10 to #1/0 AWG)

### USER GUIDE

### Dimensions

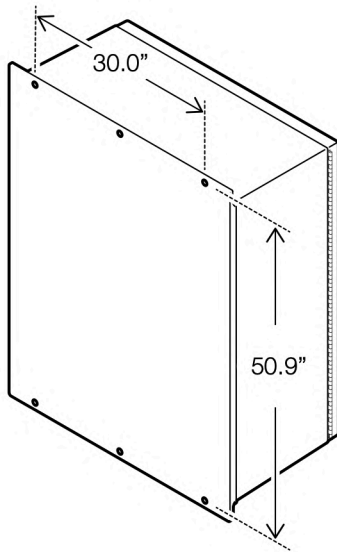
Use the drawing below for external dimensions, features, and internal equipment space.



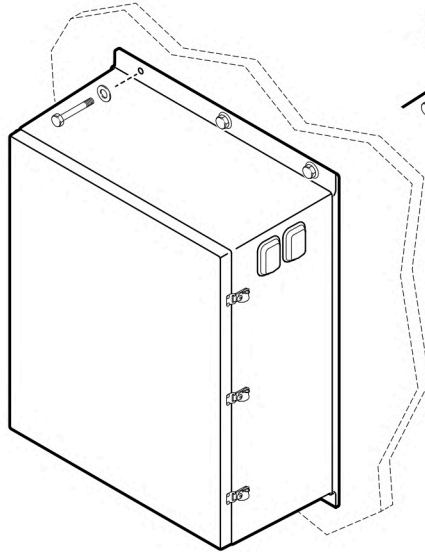
## USER GUIDE

### Wall Mounting

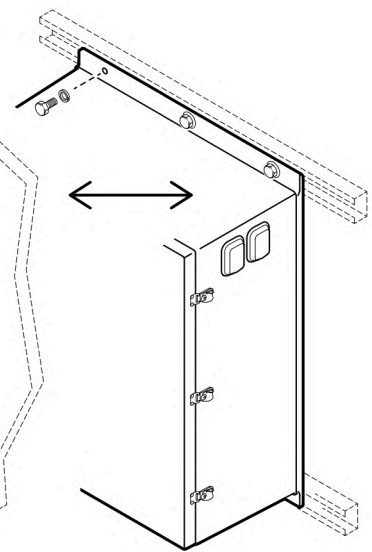
Locate the mounting holes on the mounting flange of the enclosure and use appropriate hardware for application.



Mounting Flange Hole Locations



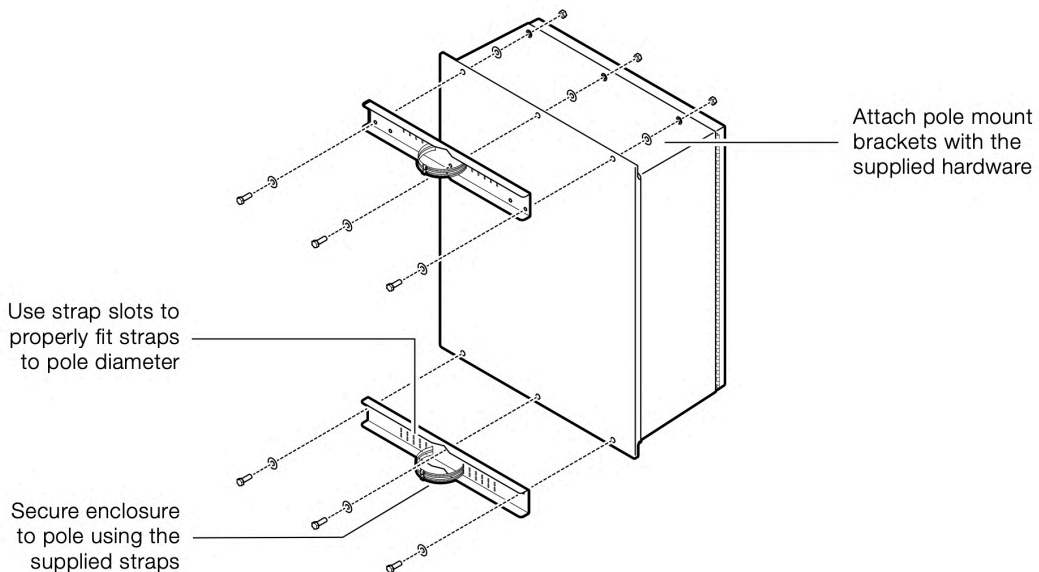
Wall Mounting



H-Frame or  
Strut Mounting

### Pole Mounting

Attach the pole brackets to the fasteners on back of the enclosure. Securely strap enclosure to pole.



## USER GUIDE

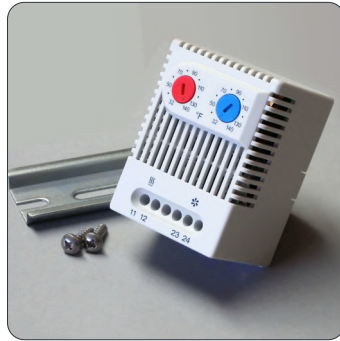
[www.fiberopticlink.com](http://www.fiberopticlink.com)

### Optional Equipment

RLH fiberglass enclosures are available with optional equipment for specific applications through our factory modification service. Please contact an RLH sales representative for additional information.



Auxilliary Fan Kits



Combination Heater/Fan Kits



Heater Kits



Standard Mini Fan Kits

### Contact

By Mail:

Att: Sales  
RLH Industries, Inc.  
936 N. Main St.  
Orange, CA 92867

By Phone:

Sales / Service  
Mon - Fri, 6am - 6pm, PST

Local 714-532-1672

Toll Free 800-877-1672  
866-DO-FIBER

By Email:

[info@fiberopticlink.com](mailto:info@fiberopticlink.com)

By FAX:

714-532-1885

### Tech Support

By Email:

[support@fiberopticlink.com](mailto:support@fiberopticlink.com)

By Phone:

Toll Free 855-754-2497  
855-RLH-24X7