

4

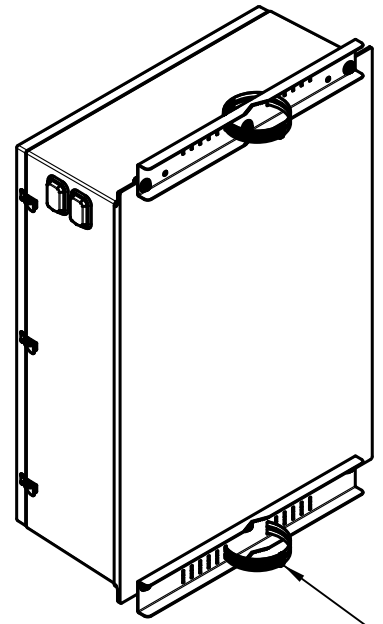
3

2

1

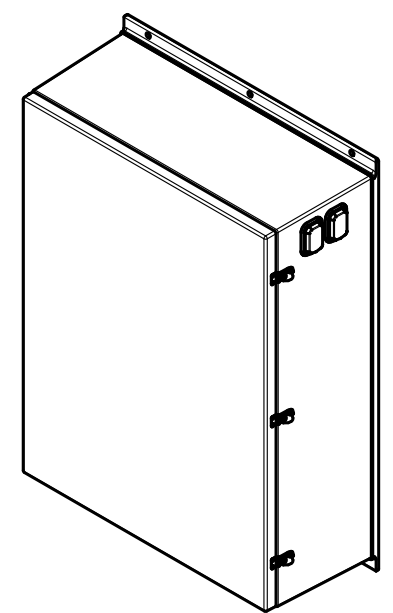
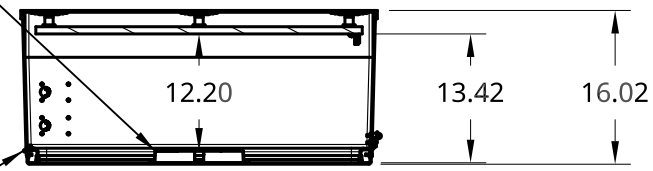
D

D



DOCUMENT HOLDER

HINGED DOOR



C

C

POLE MOUNT KIT (PMK-LARGE-F-1)

34.00

3/4" PLYWOOD BACKBOARD

46.00

GROUND BAR 11 POSITION

SECTION A - A  
INTERNAL VIEW & FEATURES

37.15

52.50

NEMA 4X VENTS QTY. 2

PAD LOCK TWIST LATCH QTY. 3

NEMA 4X VENTS QTY. 2

Ø.63  
6 PL.

30.00

50.90

TITLE  
48 X 36 X 16 FIBERGLASS ENCLOSURE

B

B

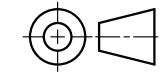
A

A



FIBEROPTICLINK

THIRD ANGLE PROJECTION



SIZE  
B

DWG NO.

CD-361

REV.  
A

SCALE  
1:20

DRAWN  
DAVID HARRIS

SHEET  
1 of 1

4

3

2

1