

## RLH 48V UPS Battery Charge Controller, DIN Rail Mount

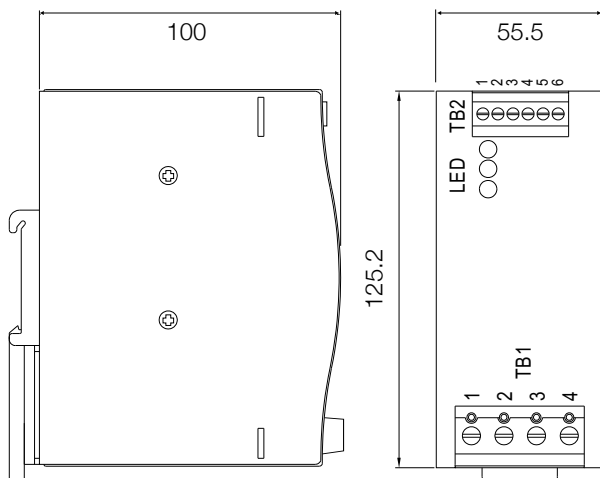
Provide UPS backup battery power to 48VDC industrial equipment

### Overview

RLH 48VDC DIN rail mount charge controllers are compact units designed to work with a DC power supply (such as the RLH DIN rail power supplies) and a UPS backup battery to provide uninterruptible power in the event of a power outage.

The charge controller continuously maintains the correct charge level on the battery and ensures a seamless power transition to battery power when needed for a complete UPS power supply solution.

### Dimensions

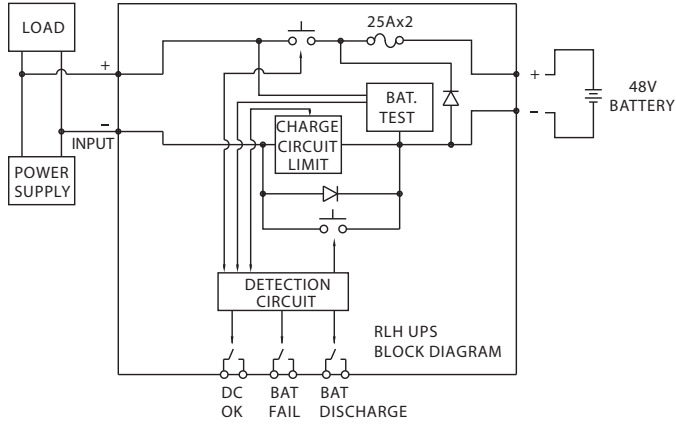


RLH-UPS-48-30-01 UPS Battery Charge Controller

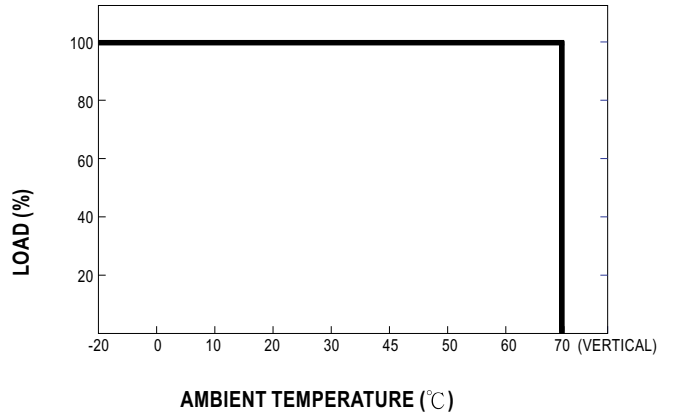
### Standard Features

- Battery controller for DIN rail UPS systems
- Simple parallel connection to the DC bus
- Suitable for 48V systems up to 30A
- Installed on DIN Rail TS35 / 7.5 or 15
- Built-in battery test function
- Battery polarity protection
- Relay contact signal output and LED indicator for DC BUS OK, Battery Fail, and Battery Discharge
- Cooling by free air convection
- Convenient screw down terminals

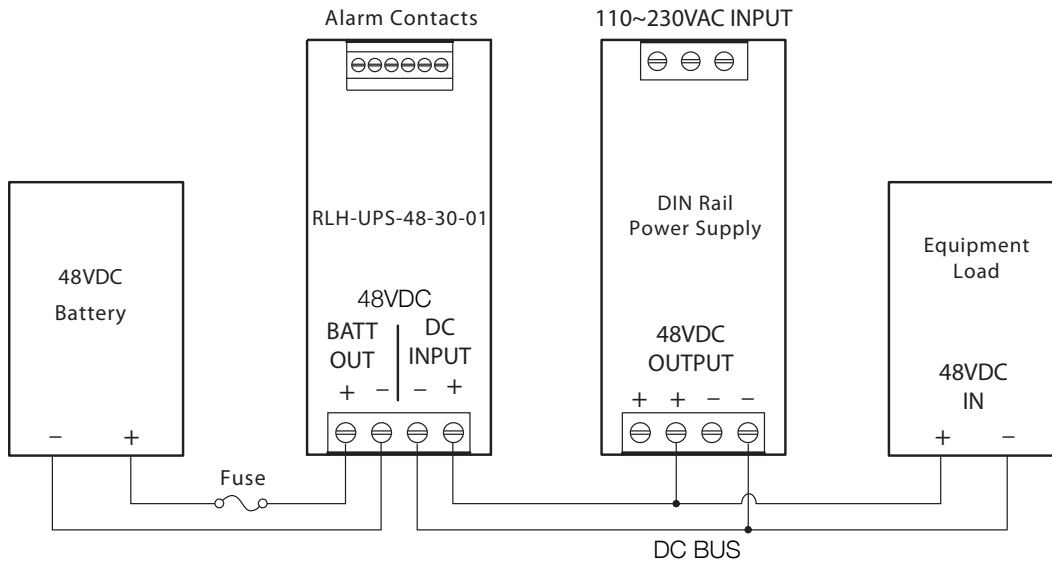
**Block Diagram**



**Derating Curve**



**Application Diagram**



**Note:** DC voltage cannot be measured at either the DC INPUT or the UPS unit without first having a working DC power source connected to the DC INPUT UPS terminals. The UPS unit employs a protective relay that allows voltage to only travel in one direction when that UPS system is connected to both the battery and power source.



## Specifications

<b>DC INPUT /</b>	DC VOLTAGE (Typ.)	48 ~ 55V
<b>DC BUS</b>	RATED CURRENT	30A
<b>BATTERY INPUT / OUTPUT</b>	VOLTAGE RANGE (Typ.)	48 ~ 55V
	CURRENT RANGE	0 ~ 30A
	CHARGE CURRENT	1A (max)
	EXTERNAL BATTERY	7Ah @ 48VDC (max)
<b>FUNCTION</b>	RELAY CONTACT RATING	30VDC, 1A (max.)
	DC BUS OK	Relay contact : Short when DC voltage between 41~55V( 3%), relay contacts LED (Green) ON : DC BUS OK; LED (Green) OFF : DC BUS failure
	BATTERY FAIL See Note 2	Relay contact : Short when battery failure is observed through the battery test function, relay contacts LED (Red) ON : Battery over-discharge warning or battery malfunction LED (Red) OFF : Battery OK
	BATTERY DISCHARGE	Relay contact : Short when battery in discharge condition, relay contacts LED (Yellow) ON : Battery discharging LED (Yellow) OFF : Battery is not discharging or discharging current <2.0A
<b>ENVIRONMENT</b>	WORKING TEMP.	-20°C ~ +70°C
	WORKING HUMIDITY	20 ~ 90% RH
	STORAGE TEMP., HUMIDITY	-20°C ~ +85° C, 10 ~ 95% RH
<b>SAFETY &amp; EMC</b>	WITHSTAND VOLTAGE	Terminal-Chassis :0.5KVAC, Relay Contacts-Terminal :0.5KVAC
	ISOLATION RESISTANCE	Terminal-Chassis :>100M Ohms/500VDC 25 70%RH
<b>OTHER</b>	DIMENSIONS	55.5*125.2*100mm (W*H*D)
<b>NOTE</b>	1. All parameters NOT specially mentioned are measured at rated load and 25°C of ambient temperature.	
	2. Every 25 seconds, unit will send out test signal through "Battery Fail" relay contact and LED indicator once the battery has failed.	

## Ordering Information

Description	Part Number	Input	Output Charge Current
48V UPS Battery Charge Controller	RLH-UPS-48-30-01	48 ~ 55VDC, 30A	1A

## Technical Support

---

<b>Email:</b>	support@fiberopticlink.com
<b>24/7 technical support:</b>	Toll Free 1-855-RLH-24X7
	Toll Free 1-855-754-2497

---

## Contact Information

---

<b>Corporate Headquarters:</b>	RLH Industries, Inc. 936 N. Main Street Orange, CA 92867 USA
<b>Phone:</b>	(714) 532-1672 Toll Free 1-800-877-1672 Toll Free 1-866-DO-FIBER
<b>Fax:</b>	(714) 532-1885
<b>Email:</b>	info@fiberopticlink.com
<b>Web site:</b>	www.fiberopticlink.com

---

---

RLH Industries, Inc.  
936 N. Main Street, Orange, CA 92867 USA  
T: (714) 532-1672  
F: (714) 532-1885



Please contact your RLH sales representative  
for pricing and delivery information.

Specifications subject to change without notice.