

USER GUIDE

40" x 32" x 15" – Aluminum Enclosure

Large Sized Outdoor Weatherproof Equipment Enclosure

These commercial grade aluminum enclosures feature plywood backboards for easy field installation of communication devices and equipment in outdoor environments. Water and dust proof vents provide convection cooling to further protect installed equipment. Enclosures can be secured with a padlock, and include mounting feet for wall or strut mounting. A pole mount model is available with the bracket preinstalled and ready for deployment.

Customized enclosures and turn-key solutions to fit your specific applications needs are available from the RLH Industries design group. Please contact an RLH sales representative for more information about our enclosure modification and design program.



40" x 32" x 15" – Aluminum Enclosure

Key Features

- Weatherproof design for outdoor use
- Heavy duty, precision welded, powder coated construction
- Fire treated and painted 3/4" plywood backboard
- Hinged door with limit stop
- Neoprene weather-tight door seal
- Literature/document pocket on door interior
- Weatherproof side and bottom vents
- 9-position ground bar, accepts #10 to #1/0 AWG ground wire
- Quarter-turn latch with padlock ring
- Wall/Strut mount Standard, Pole Mount Option available
- Factory available options: include fans, heaters, thermostats, and more
- Made in USA



Open Showing Backboard

Enclosure Features



Ordering Information

Description	Part Number
H40" x W32" x D15" with Wall/Strut Mount Feet	RLH-403215-A-1
H40" x W32" x D15" with Pole Mount Bracket Preinstalled	RLH-403215-A-1-PMK
Add-on Pole Mount Bracket Kit For: RLH-403215-A-1	PMK-4032

Key Specifications

Construction

Material:	Welded .090 Thick 5052-H32 Aluminum Alloy
Weight Wall Mount Model:	70 lbs. / 32kg
Weight Pole Mount Model:	81 lbs. / 37kg
Finish:	Powder-coated, beige smooth gloss
Exterior Dimensions:	32.2" (W) x 15.5" (D) x 40.1" (H), (818mm x 394mm x 1019mm) *not including pole mount bracket
Door Opening:	28.8" (W) x 37.7" (H)
Usable interior Depth:	13"
Venting:	Weather and dust proof vents to provide air circulation 2 side vents, 2 bottom vents

Mounting

Wall Mount Model (Bolts or other attachment hardware not included)

Wall/Strut mounting with included feet
Accommodates 5/16" bolt for wall or strut mounting

Pole Mount Model (Bolts or Straps not included)

Bolt or Strap attachment to 6 in. diameter pole or greater
Qty. 3 – 1" strap slots, Qty. 2 – holes for 5/8" bolt

Access

Hinged door with weatherproof gasket seal
Quarter turn latches, Bellcore 216 style recessed hex key included, 1 padlock ring

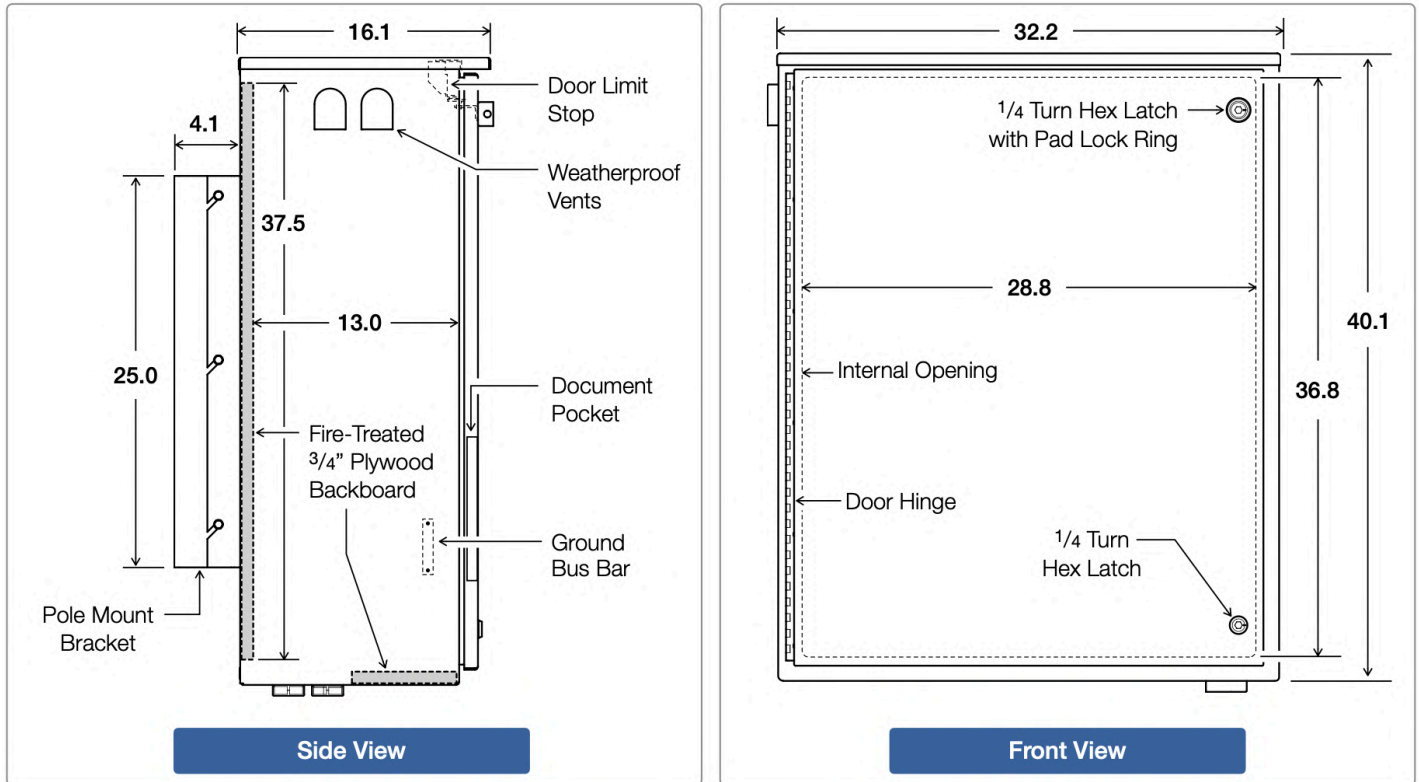
Interior Details

Usable Backboard:	29" (W) x 38" (H)
Usable Bottom Baseboard:	29" (W) x 7" (D)
Backboard Type:	¾" thick fire treated, painted plywood
Ground Bus:	Side wall bonded, 9-position ground wire capacity

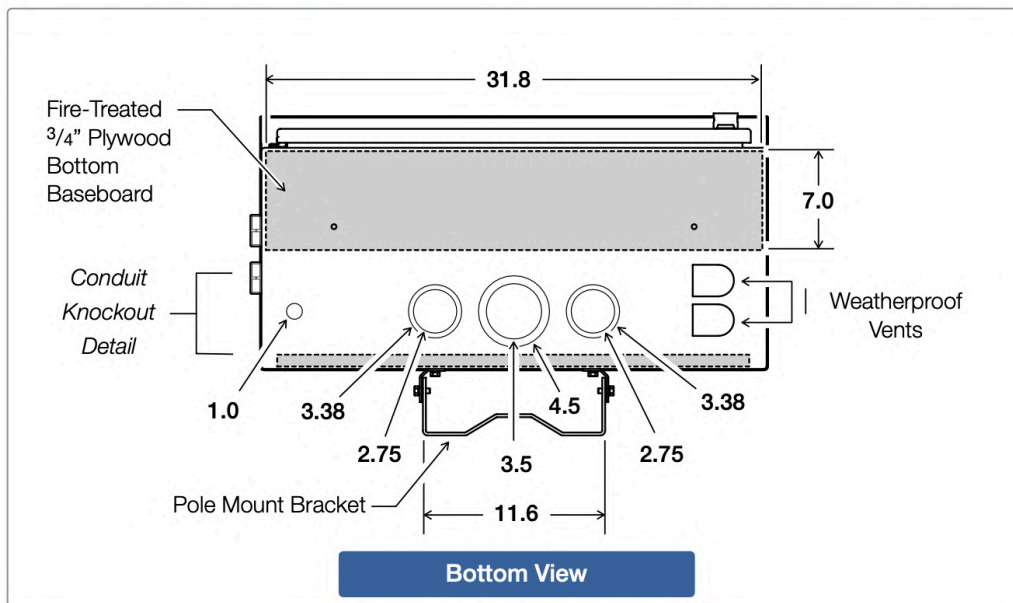
USER GUIDE

Dimensions

Use the drawing below for external dimensions, features, and internal equipment space.



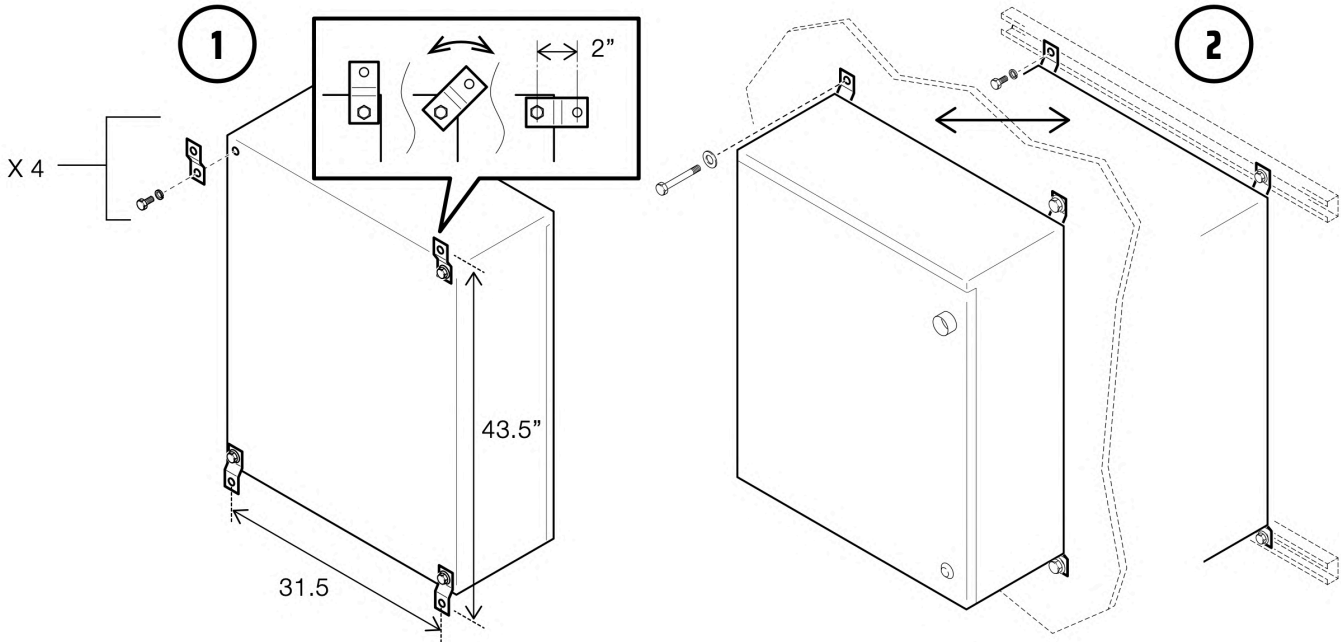
Note:
Dimensions are in inches



USER GUIDE

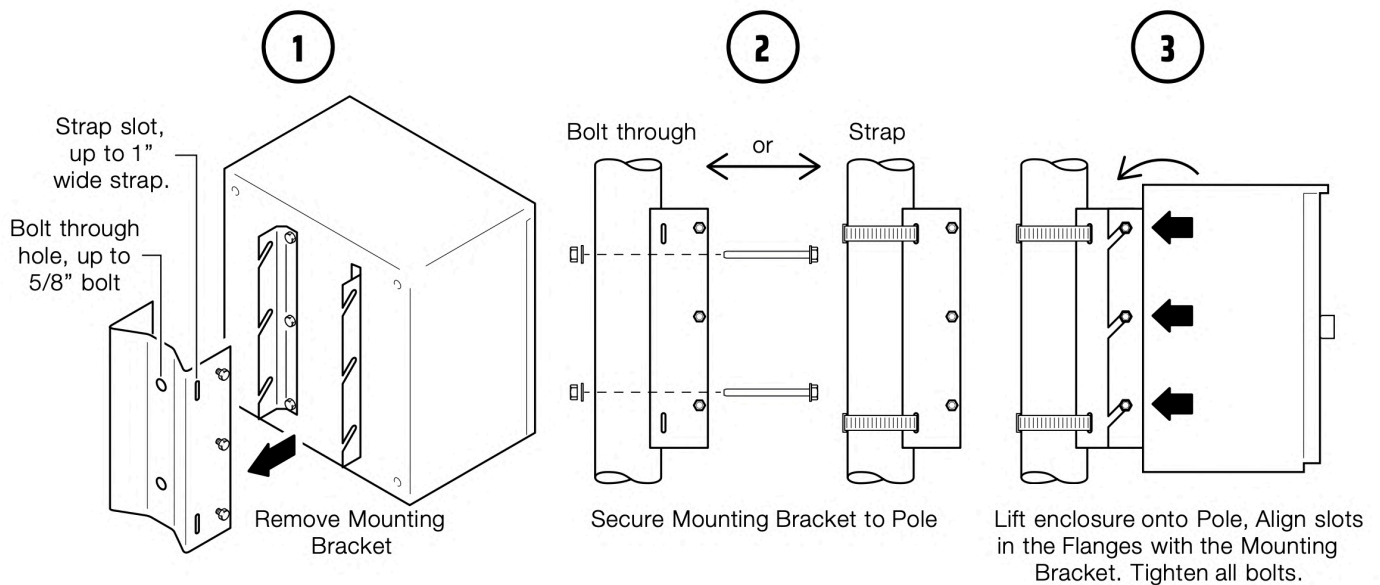
Wall Mounting

Attach the 4 mounting feet to the rear corners of the enclosure with the hardware provided.



Pole Mounting

For pole mount models, remove the mounting bracket from the rear of the enclosure. Secure the mounting bracket to the pole with bolts or straps. Attach the enclosure to the bracket on the pole.



USER GUIDE

www.fiberopticlink.com

Optional Equipment

RLH fiberglass enclosures are available with optional equipment for specific applications through our factory modification service. Please contact an RLH sales representative for additional information.



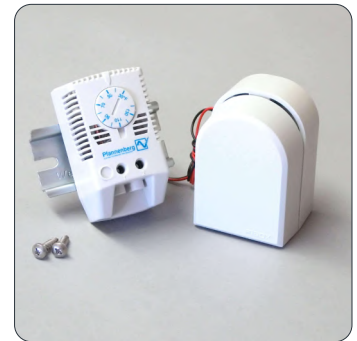
Auxilliary Fan Kits



Combination Heater/Fan Kits



Heater Kits



Standard Mini Fan Kits

Contact

By Mail:

Att: Sales
RLH Industries, Inc.
936 N. Main St.
Orange, CA 92867

By Phone:

Sales / Service
Mon - Fri, 6am - 6pm, PST

Local 714-532-1672

Toll Free 800-877-1672
866-DO-FIBER

By Email:

info@fiberopticlink.com

By FAX:

714-532-1885

Tech Support

By Email:

support@fiberopticlink.com

By Phone:

Toll Free 855-754-2497
855-RLH-24X7