

DATA SHEET

4 Wire T1/E1 – NEBS

Extend MPLS, PRI, or DATA T1 Circuits Over Fiber – Line Powered

The RLH 4 Wire T1/E1 NEBS fiber link card processes incoming bipolar signals (9.0V P-P Max) within a bandwidth of 100 KHz to 10 MHz T-1 (1.544Mbps) or (CCITT 2.048Mbps), optically transmits these signals via fiber optic cable, and converts the signal to the original electrical signal with minimal gain or loss.

Output to the copper line is automatically maintained at a nominal level. Transient voltages appearing on or between the 4-wire pairs and/or power supply input are limited by thermistors, gas tubes and MOVs. Informative LED indicators for status monitoring are built into the card. This Model 2 system is also compatible with the Model 1 card.

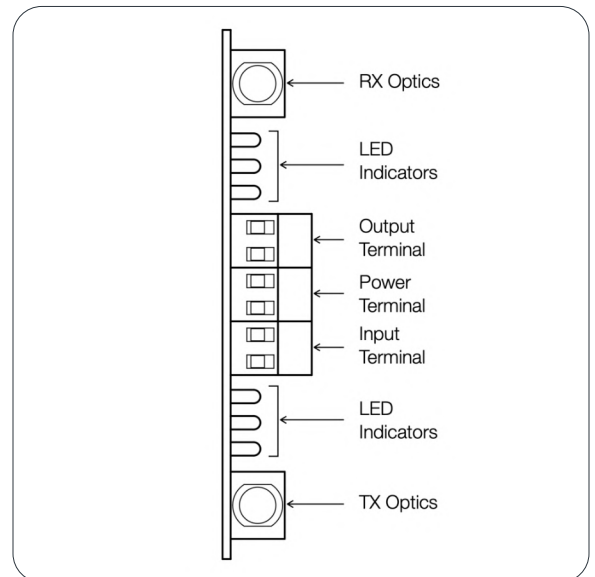
This fiber link card is designed to be installed into any of the RLH Fiber Link Card Housings, and occupies a single card slot.

Key Features

- Environmentally hardened to operate in -40°C to +70°C (-40°F to +158°F) environments
- Dual power capable, line or local 24/48VDC
- Multimode (2km/1.2 miles) fiber systems
- 100 kHz to 10 MHz T-1
- 1.544 Mbps or CCIT 2.084 Mbps
- Can be used within or beyond customer premise environments
- Critical, high voltage, remote or un-manned locations operating 24/7/365
- LED Status monitoring
- Compatibility: NEBS Level 3, European E1
- Available with ST Connectors
- Available with RJ 48C Adapters
- Limited Lifetime Warranty
- Made in USA



CO and SUB Card System



CO/SUB Card

DATA SHEET

Key Specifications

Transmission Method:	Amplitude modulated light via two optical fibers Multimode: 850nm (Tx level: -16dB +/- 1dB) Singlemode: 1310nm (Tx level: -23dB +/- 1dB) Singlemode Long Haul: 1310nm (Tx level: -8dB +/- 2dB)
Maximum Fiber Attenuation / Distance:	Multimode: 10dB / 1.5 miles (2.4km) Singlemode: 8dB / 9 miles (15 km) Singlemode Long Haul: 26dB / 37 miles (60 km), Required min. loss 8dB <small>*Distances equated using industry standard fiber and connector attenuation of 3dB/Km. *Fiber condition, splices and connectors may affect actual range.</small>
Fiber Type:	ST or SC connectors Multimode: 62.5/125µm, 50/125µm Singlemode: 8~9/125µm
Bandwidth:	100 kHz to 10 MHz
Signal to Noise:	>45 dB for line attenuation up to 30 dB at 772 kHz
Digital Data Type:	Bipolar digital data stream with no DC reference
Maximum Data Rate:	3.152 Mbps
BER:	<10 ⁻⁹
Input (Receive) Level - CO Side:	0.19V P-P to 9.0V P-P (-30dB to +6dB)
Output (Transmit) Level - Sub Side:	0.19V P-P to 9.0V P-P (-30dB to +6dB)
Surge Protection:	Fuses, thyristors, PTC thermistors, zeners, and MOVs
Power Requirements:	CO/ SUB Cards: 24-56 VDC, 57-66mA
Powering Method:	Line power simplexed on Send and Receive pairs, or an isolated DC power source connected to AUX. P.S. input
RJ-45 Adapter:	Rx Pair Pins 1,2 Tx Pair Pins 4,5
Operating Temperature:	-40° to +158° F (-40° to +70° C), 95% non-condensing
Warranty:	Limited Lifetime

DATA SHEET

www.fiberopticlink.com

Ordering Information

Optics	Distance	Fiber	Description	CLEI	Part Number	Life Cycle Status
Multimode ST	2.4km/1.5 miles	62.5µm	CO SUB	NPIFEJOTAA NPIFGJ01AA	8806-1315-02 8806-1325-02	NRND NRND
Singlemode ST	15km/9 miles	8~9µm	CO SUB	NPIFEDA1AA NPIFFD01AA	8806-1300-02 8806-1310-02	End of Life End of Life
Singlemode SC	15km/9 miles	8~9µm	CO SUB	NPIFEDA1AA NPIFFD01AA	8805-1300-02 8805-1310-02	End of Life End of Life
Long Haul Singlemode ST	60km/37 miles	8~9µm	CO SUB	- -	8806-1300-02-LH 8806-1310-02-LH	End of Life End of Life
Long Haul Singlemode SC	60km/37 miles	8~9µm	CO SUB	- -	8805-1300-02-LH 8805-1310-02-LH	End of Life End of Life

- A complete system requires a CO card and a SUB card
- Add -RJ to part number to include RJ adapter with the card
- End of Life product are no longer available for sale
- NRND - Not Recommend for New Designs

Contact

By Mail: Att: Sales
RLH Industries, Inc.
936 N. Main St.
Orange, CA 92867

By Phone: Local 714-532-1672
Sales / Service Toll Free 800-877-1672
Mon - Fri, 6am - 6pm, PST 866-DO-FIBER

By Email: info@fiberopticlink.com

By FAX: 714-532-1885

Tech Support

By Email: support@fiberopticlink.com

By Phone: Toll Free 855-754-2497
855-RLH-24X7