

4

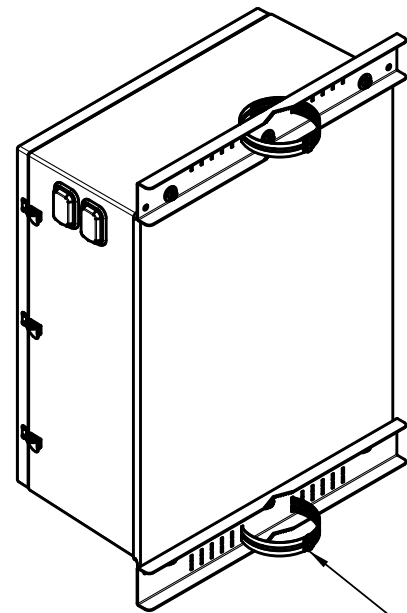
3

2

1

D

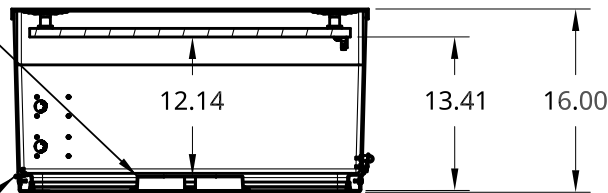
D



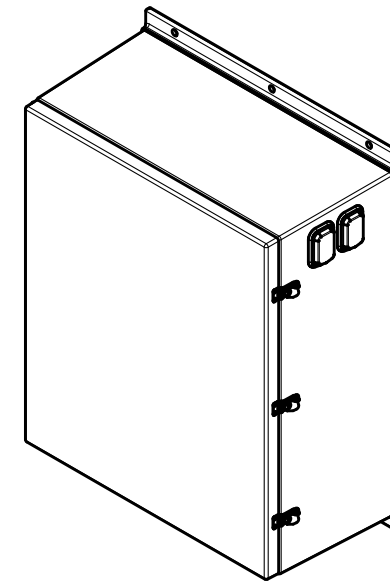
DOCUMENT HOLDER

HINGED DOOR

POLE MOUNT KIT
(PMK-LARGE-F-1)



SECTION B - B
INTERNAL VIEW & FEATURES

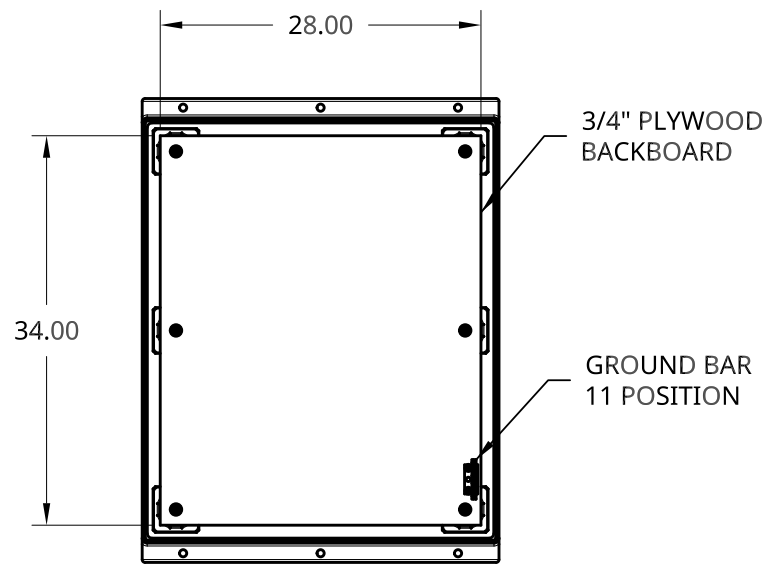


C

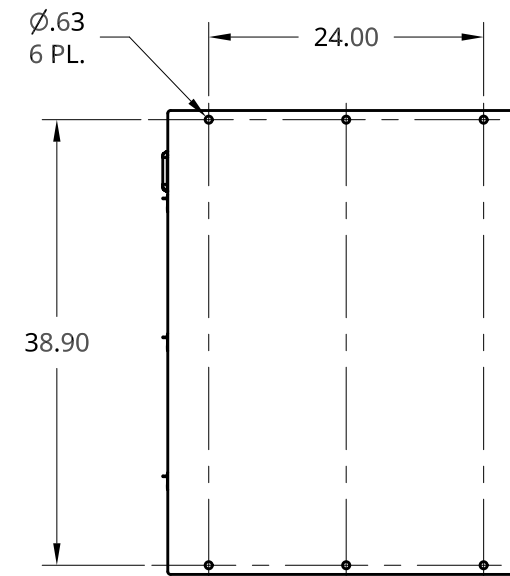
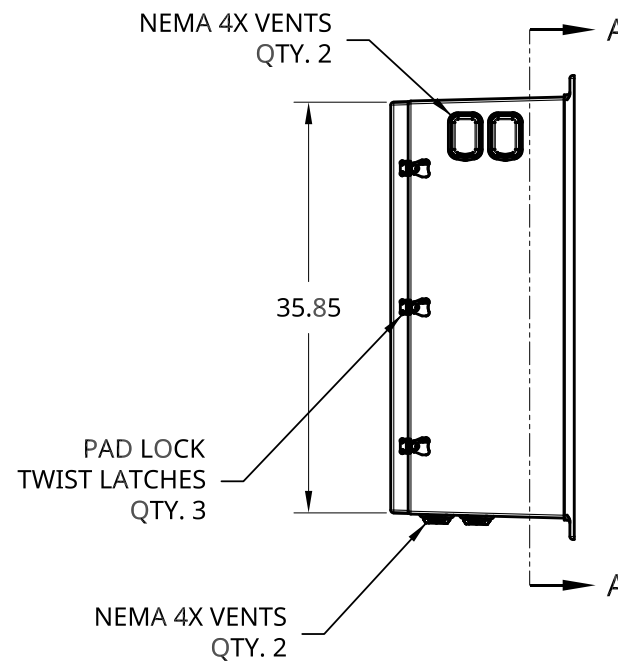
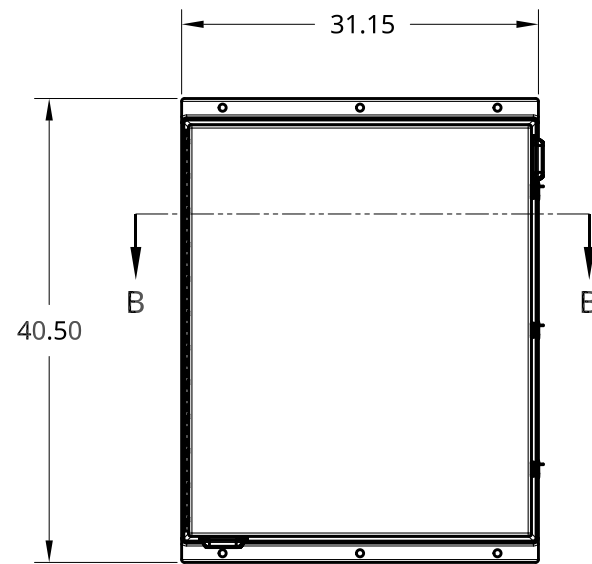
C

B

B



SECTION A - A
INTERNAL VIEW & FEATURES



A

A

TITLE	36 X 30 X 16 FIBERGLASS ENCLOSURE		
-------	-----------------------------------	--	--

		THIRD ANGLE PROJECTION	SIZE B	DWG. NO. CD-360	REV. A
			SCALE 1:16	DRAWN DAVID HARRIS	SHEET 1 of 1

4

3

2

1