

2 Channel T1 DIN Fiber Link System

The 2 Channel T1 DIN Fiber Link system converts up to two electrical/copper T1(DS1) signals and transport them over two strands of optical fiber. The system can operate from T1 span power (60mA) or local 24/48VDC power. It has LED status and alarm output indicators for system monitoring, and is temperature hardened for use in extreme conditions.

All of the products in the RLH T1 Fiber Link family are designed for the utmost quality and reliability. Typical applications include high voltage GPR isolation, utility, wireless backhaul, and military communications. The 2 channel T1 systems are made in the USA and are covered by our **Limited Lifetime Warranty**.



2 Channel T1 DIN Fiber Link

Key Features

Environment

Hardened to operate in -40°F to +158°F (-40°C to +70°C)

Power

Simplex 60mA line powering, eliminating costly external powering
Dual power capable, line or local 24/48VDC

Application

Available with ST or SC connectors for single or multi-mode fiber
Provides simultaneous transmission of two asynchronous T1 channels
Loopback testing
NC/NO alarm contact for remote monitoring of system health
Same unit may be used at either end of the fiber system
Can be used within or beyond customer premise environments
Critical, high voltage, remote or un-manned locations operating 24/7/365

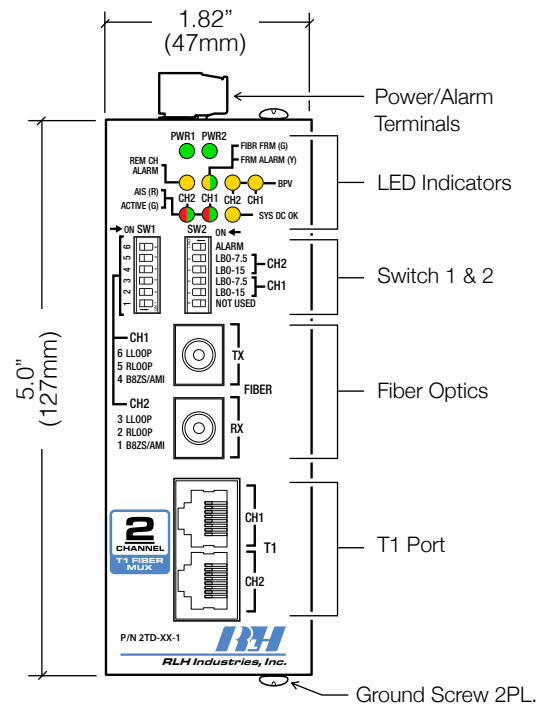
Compatibility

B8ZS and AMI
Plug and play into RLH Single Channel and 2 Channel Card/DIN systems

Quality

Made in the USA

Covered by our **Limited Lifetime Warranty**



Feature & Dimensional Information

Ordering Information

Optics	Description	Distance	Fiber	Part Number
Multimode SC	2 Channel T1 DIN (CO/SUB)	2km/ 1.2 mi	62.5/50µm	2TD-01-1
Multimode ST	2 Channel T1 DIN (CO/SUB)	2km/ 1.2 mi	62.5/50µm	2TD-02-1
Single-mode SC	2 Channel T1 DIN (CO/SUB)	15km/ 9 mi	8~9µm	2TD-10-1
	2 Channel T1 DIN (CO/SUB)	60km/ 37mi	8~9µm	2TD-11-1
Single-mode ST	2 Channel T1 DIN (CO/SUB)	15km/ 9 mi	8~9µm	2TD-20-1
	2 Channel T1 DIN (CO/SUB)	60km/ 37mi	8~9µm	2TD-21-1

- ▶ A complete system requires 2 cards.
- ▶ Plug and play compatible with RLH Single and 2 Channel T1 Card/DIN Fiber Link systems.
- ▶ Please contact your RLH sales representative for pricing and delivery information.

General Specifications

Transmission method	Amplitude modulated light via two optical fibers	
	Multimode:	850nm (Tx level: -16dB ± 1dB)
	Single-mode:	1310nm (Tx level: -23dB ± 1dB)
	Single-mode Long Haul:	1310nm (Tx level: -8dB ± 2dB)
Maximum Fiber Attenuation / Distance *	Multimode:	10dB / 1.2 miles (2 km)
	Single-mode:	8dB / 9 miles (15 km)
	Single-mode Long Haul:	26dB* / 37 mi. (60 km), *min. required loss -8dB
	* Note: Distances equated using industry standard fiber and connector attenuation of 3dB/Km. Fiber condition, splices and connectors may affect actual range.	
Fiber Type	ST or SC connectors	
	Multimode:	62.5/125µm, 50/125µm
	Single-mode:	8-9/125µm
Temperature Limits	-40°F to +158°F (-40°C to +70°C + maximum solar load)	
Humidity	95% non-condensing	
Dimensions	H5" x W1.82" x D3.9" (127mm x 47mm x 100mm) - Not including connectors	
Mounting	Standard T35 DIN rail	
BER	<10 ⁻⁹	
Surge Protection	Fuses, thyristors, PTC thermistors, zeners, and MOVs	
Local Power Requirement	24-56 VDC, 100mA	
Powering Method	60mA line power simplex on Send and Receive pairs, or an isolated DC power source connected to power input terminals.	
Power Connector	Dual redundant power Input via removable screw down terminal block	
Warranty	Limited Lifetime	Visit www.fiberoptick.com for warranty details