

2 Channel POTS w/ Ethernet DIN Fiber Link System

The 2 Channel POTS Mux DIN Fiber Link system provides a comprehensive method of multiplexing POTS channels over a single pair of multimode or single mode fibers. Additional POTS lines may now be added when available fiber is limited, helping to reduce equipment space, and lower overall equipment costs.

The system includes two 10/100 Ethernet ports for LAN interconnection. All ports operate simultaneously over the fiber optic cable, and may be used with leased lines to build up private networks and private telephone networks. RLH Fiber Link products are temperature hardened, made in the U.S.A. and covered by our **Limited Lifetime Warranty**.



2 Channel POTS w/ Ethernet DIN Fiber Link

Key Features

Environment

Hardened to operate in -40°F to +158°F (-40°C to +70°C)

Power

Uses 24/48VDC local power

Application

- Available with ST or SC connectors for single or multi-mode fiber
- Single or Dual Fiber Connector
- 2 ports with 10/100 automatic Half or Full-Duplex auto-negotiation
- 2 channels of POTS, analog phone lines
- Alarm indication function
- Convenient LED status indicators
- Critical, high voltage, remote or un-manned locations operating 24/7/365

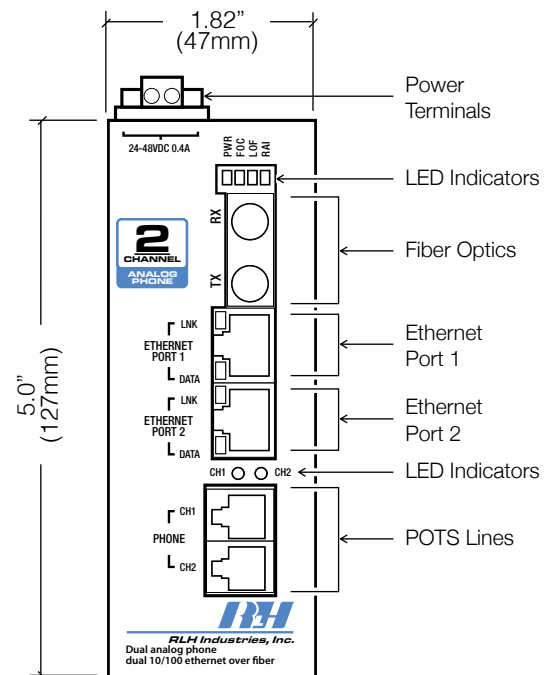
Compatibility

IEEE 802.3 10Base-T UTP, 100Base-TX, and 100Base-FX devices

Quality

Made in the USA

Covered by our **Limited Lifetime Warranty**



Feature & Dimensional Information

General Specifications

Transmission method	Frequency modulated light via two optical fibers		
	Multimode	850nm/1310nm/1550nm	
	Single-mode	1310nm/1550nm	
Maximum Fiber Attenuation / Distance *	Single Fiber, Bi-directional	Multimode (50/125µm, 62.5/125µm):	1.2mi./2 km range
		Single-mode (9/125µm):	12.4 mi./20km range 37 mi./60km range
	Dual Fiber	Multimode (50/125µm, 62.5/125µm):	1.2mi./2 km range
		Single-mode (9/125µm):	12.4 mi./20km range 37 mi./60km range 74 mi./120km range
<i>* Note: Distances equated using industry standard fiber and connector attenuation of 3dB/Km. Fiber condition, splices and connectors may affect actual range.</i>			
Fiber Type	(ST or SC connectors) Multimode: 62.5/125µm, 50/125µm Single-mode: 8-9/125µm		
Consumption	+2 to -11dBm		
Sensitivity	Better Than -36dBm		
BER	<10 ⁻⁹		
Phone Connector	RJ-11		
Audio Frequency	300Hz-3400Hz		
Impedance	200Ω 560Ω//0.1µF		
Baud Rate	9600 maximum		
Compression Ratio	Class A in ITU G.711		
Loop Current	25mA		
Ethernet	10/100, full/duplex, auto negotiation		
Protocol	IEEE 802.3		
WAN Rate	100% Wire-Speed 100		
Ethernet Connector	RJ-45		
Power Requirements	24VDC, 400mA ~ 48VDC, 200mA		
Consumption	≤5W		
Dimensions/Mounting	H 5in. x W 1.82in. x D 3.9in. (127mm x 47mm x 99mm)		
	T-35 DIN rail (35mm/1-3/8") (DIN rail section included)		
Operating Temperature	-4°F to +158°F (-20°C to +70°C)		
Humidity	95% non-condensing		
Warranty	Limited Lifetime	Visit www.fiberopticlink.com for warranty details	

Ordering Information

Each 2 Channel POTS Mux system is identified with a part number.

Optics	Distance	μm	Side	Description	Part Number
Multimode SC	2km / 1.25 mi	62.5/50 μm	-	CO/FXO Card	RLH-PM2D-03-CE-3
				SUB/FXS Card	RLH-PM2D-03-SE-3
Multimode ST	2km / 1.25 mi	62.5/50 μm	-	CO/FXO Card	RLH-PM2D-04-CE-3
				SUB/FXS Card	RLH-PM2D-04-SE-3
Bi-Directional Multimode SC	2km / 1.25 mi	62.5/50 μm	A	CO/FXO Card	RLH-PM2D-01-CE-3
			B	SUB/FXS Card	RLH-PM2D-02-SE-3
Single-mode SC	20km/12.4mi.	8~9 μm	-	CO/FXO Card	RLH-PM2D-40-CE-3
				SUB/FXS Card	RLH-PM2D-40-SE-3
Bi-Directional Single-mode SC	20km/12.4mi.	8~9 μm	A	CO/FXO Card	RLH-PM2D-10-CE-3
			B	SUB/FXS Card	RLH-PM2D-11-SE-3
Single-mode SC	60km/ 37mi.	8~9 μm	-	CO/FXO Card	RLH-PM2D-41-CE-3
				SUB/FXS Card	RLH-PM2D-41-SE-3
Bi-Directional Single-mode SC	60km/ 37mi.	8~9 μm	A	CO/FXO Card	RLH-PM2D-14-CE-3
			B	SUB/FXS Card	RLH-PM2D-15-SE-3
Single-mode SC	120km / 74mi.	8~9 μm	-	CO/FXO Card	RLH-PM2D-42-CE-3
				SUB/FXS Card	RLH-PM2D-42-SE-3
Single-mode ST	20km/12.4mi.	8~9 μm	-	CO/FXO Card	RLH-PM2D-50-CE-3
				SUB/FXS Card	RLH-PM2D-50-SE-3
Single-mode ST	60km/ 37mi.	8~9 μm	-	CO/FXO Card	RLH-PM2D-51-CE-3
				SUB/FXS Card	RLH-PM2D-51-SE-3
Single-mode ST	120km / 74mi.	8~9 μm	-	CO/FXO Card	RLH-PM2D-52-CE-3
				SUB/FXS Card	RLH-PM2D-52-SE-3

- ▶ A complete system requires a **FXO/CO** and a **FXS/Sub** unit, or **two FXS/Sub** units for ringdown.
- ▶ Bidirectional single fiber models require an **A** Side and **B** Side unit for a complete system.
- ▶ Bidirectional optic wavelength may be special ordered. Contact factory for availability.
- ▶ Please contact your RLH sales representative for pricing and delivery information.