

## 2 Channel ADSL Fiber Link Card System

The RLH 2 Channel ADSL Fiber Link Card system supports two channels of ADSL copper service over a single pair of single mode or multimode fiber optic cable. This environmentally hardened system converts the copper signals into an optical signal over fiber, then converts the fiber optic signal back into 2 Wire DSL copper service for customer use.

Transmitting ADSL signals over fiber optic cable allows for network extension over long distances, and provides electrical isolation between both ends of the network. The RLH ADSL fiber system is compatible with DSL download data rates of up to 2.75Mbps.

Each card requires a 44-56VDC 100mA local power source to operate. RLH carries several compatible power supplies, but any compatible DC power source is acceptable. This hardened, rugged system is covered by our **Limited Lifetime Warranty**.

### Key Features

#### Environment

Hardened to operate in -40°F to +158°F (-40°C to +70°C)

#### Power

44-56VDC 100mA local power source at each end

#### Application

Network extension, single-mode (8mi./13km) / multimode (1640 ft./500m)  
ST or SC fiber connector types  
Each card can accept 2 ADSL lines, maximizing throughput  
Critical, high voltage, remote or un-manned locations operating 24/7/365

#### Compatibility

DSL download data rates of up to 2.75Mbps

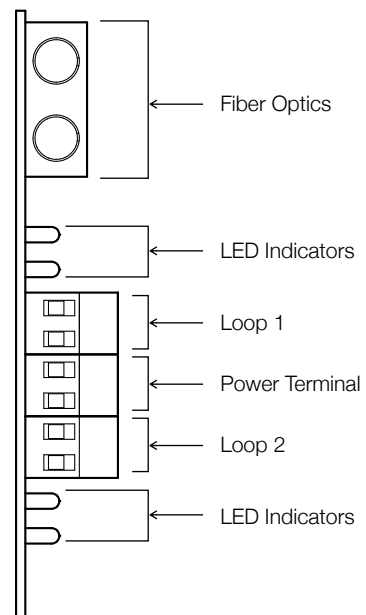
#### Quality

##### Made in the USA

Covered by our **Limited Lifetime Warranty**



2 Channel ADSL Fiber Link Card



CO/Sub Card

Front Panel Features

## Ordering Information

Optics	Distance	Fiber	Description	Part Number	CLEI Number
Multimode ST	500m / 1640 ft.	62.5µm / 50µm	CO Card	<b>8806-1550-01</b>	<b>NPP1UM0CAA</b>
			SUB Card	<b>8806-1560-01</b>	<b>NPP1VM0CAA</b>
Multimode SC	500m / 1640 ft.	62.5µm / 50µm	CO Card	<b>8805-1550-01</b>	-
			SUB Card	<b>8805-1560-01</b>	-
Single-mode ST	13km / 8 mi.	8~9µm	CO Card	<b>8806-1570-01</b>	-
			SUB Card	<b>8806-1580-01</b>	-
Single-mode SC	13km / 8 mi.	8~9µm	CO Card	<b>8805-1570-01</b>	<b>NPP1UN0CAA</b>
			SUB Card	<b>8805-1580-01</b>	<b>NPP1VN0CAA</b>

- ▶ A complete system requires a CO and SUB card.
- ▶ Please contact your RLH sales representative for pricing and delivery information.

## General Specifications

<b>Transmission method</b>	Amplitude Modulated Light via two optical fibers	
	Multimode:	850nm
	Single-mode:	1310nm
<b>Maximum Fiber Attenuation / Distance</b>	Multimode:	14dB / 1640 feet (500m)
	Single-mode:	8dB / 8 miles (13km)
<b>Fiber Type</b>	ST or SC fiber female connectors	
	Multimode:	62.5/125µm, 50/125µm
	Single-mode:	8-9/125µm
<b>Insertion Loss</b>	0dB+/-0.5dB each direction	
<b>Maximum Data Rate</b>	Downstream	2.75Mbps
	Upstream	2.75Mbps
<b>Surge Protection</b>	Varistors, Zener Diodes, PTC Thermistors, Diodes	
<b>Power Requirements</b>	CO	44-56VDC, 100mA minimum
	Sub	44-56VDC, 100mA minimum
<b>Powering Method</b>	CO	Local DC power source
	Sub	Local DC power source
<b>LED Indicators</b>	LOCK (ORG LED)	Card communication over fiber status
	LOOP1 (GRN LED)	ADSL line 1 ON/OFF
	LOOP2 (GRN LED)	ADSL line 2 ON/OFF
	PWR (BLU LED)	Power ON/OFF
<b>Wire Terminals</b>	Screw clamp terminal block, 16 ~ 26 AWG	
<b>Operating Temperature</b>	-40F to 160F (-40C to 70C) + Max Solar Load	
<b>Humidity</b>	95% non-condensing	
<b>Dimensions</b>	L7" x W4" x H1.24" , standard RLH Fiber Link Card form factor	
<b>Standards Compliance</b>	IEEE802.1d, 802.3, and 802.3u	
	ADSL: G.DMT, G.LITE, ANSI T1.413 Issue2, RE-ADSL	
	FCC PART-15, FCC PART-68B	
	Motorola R56, BR 876-310-100 BT (Telcordia), Bellcore SR-3966, GR-1089, GR-63	
<b>Warranty</b>	Limited Lifetime	Visit <a href="http://www.fiberopticlink.com">www.fiberopticlink.com</a> for warranty details