

USER GUIDE

www.fiberopticlink.com

UG-M084 2022-08-30

24" x 24" x 10" – Fiberglass Enclosure

Outdoor Weatherproof Fiberglass Equipment Enclosure

This NEMA 4X fiberglass reinforced polyester enclosure features a fire treated and painted plywood backboard for easy field installation of communication devices and equipment in indoor or outdoor environments.

The enclosure is UL Listed, non-corrosive, non-conductive, light weight, and easy to modify. The added water and dust proof NEMA 4X vents provide convection cooling to further protect installed equipment. Enclosures can be secured with a padlock and the include mounting feet can be used for wall or strut mounting. An optional pole mount kit is available for order separately.

Customized enclosures and turn-key solutions to fit your specific applications needs are available from the RLH Industries design group. Please contact an RLH sales representative for more information about our enclosure modification and design program.

Key Features

- Weatherproof design for outdoor use
- Non-corrosive, non-conductive, light weight, and easy to modify
- Fire treated and painted 3/4" plywood backboard
- Polyurethane gasket for weathertight door seal
- Weatherproof NEMA 4X side and bottom vents
- 7 position ground bar, accepts #10 to #1/0 AWG ground wire
- Two stainless steel pad lockable latches
- Wall/Strut mount feet included, optional pole mount kit available
- Factory installed options available: include fans, heaters, thermostats, and more
- Made in USA

Enclosure Features



24" x 24" x 10" – Fiberglass Enclosure



Open Showing Backboard

Ordering Information

Description	Part Number
24" x 24" x 10" Fiberglass Enclosure with Treated 3/4" Wood backboard	RLH-242410-F-1
Pole Mount Kit for Poles Sized 4"-12"	PMK-242410-F-1

Key Specifications

Construction

Material:	Fiberglass
Weight Enclosure:	32 lbs. / 14.5kg
Exterior Dimensions:	25.6" (W) x 12" (D) x 25.6" (H), (651mm x 305mm x 651mm) *not including pole mount bracket
Usable interior Depth:	8.75" to 10.0" (varies with document pocket on door)
Venting:	NEMA 4X Vents to provide air circulation, 1 side vent, 1 bottom vent

Mounting

Wall/Strut Mounting via Molded Flange
Accommodates 1/4" bolt for wall or strut mounting
Optional Pole Mount Kit: Strap attachment, fits 4" to 12" diameter poles

Access

Hinged door with weatherproof gasket seal
Quarter turn pad lockable latch

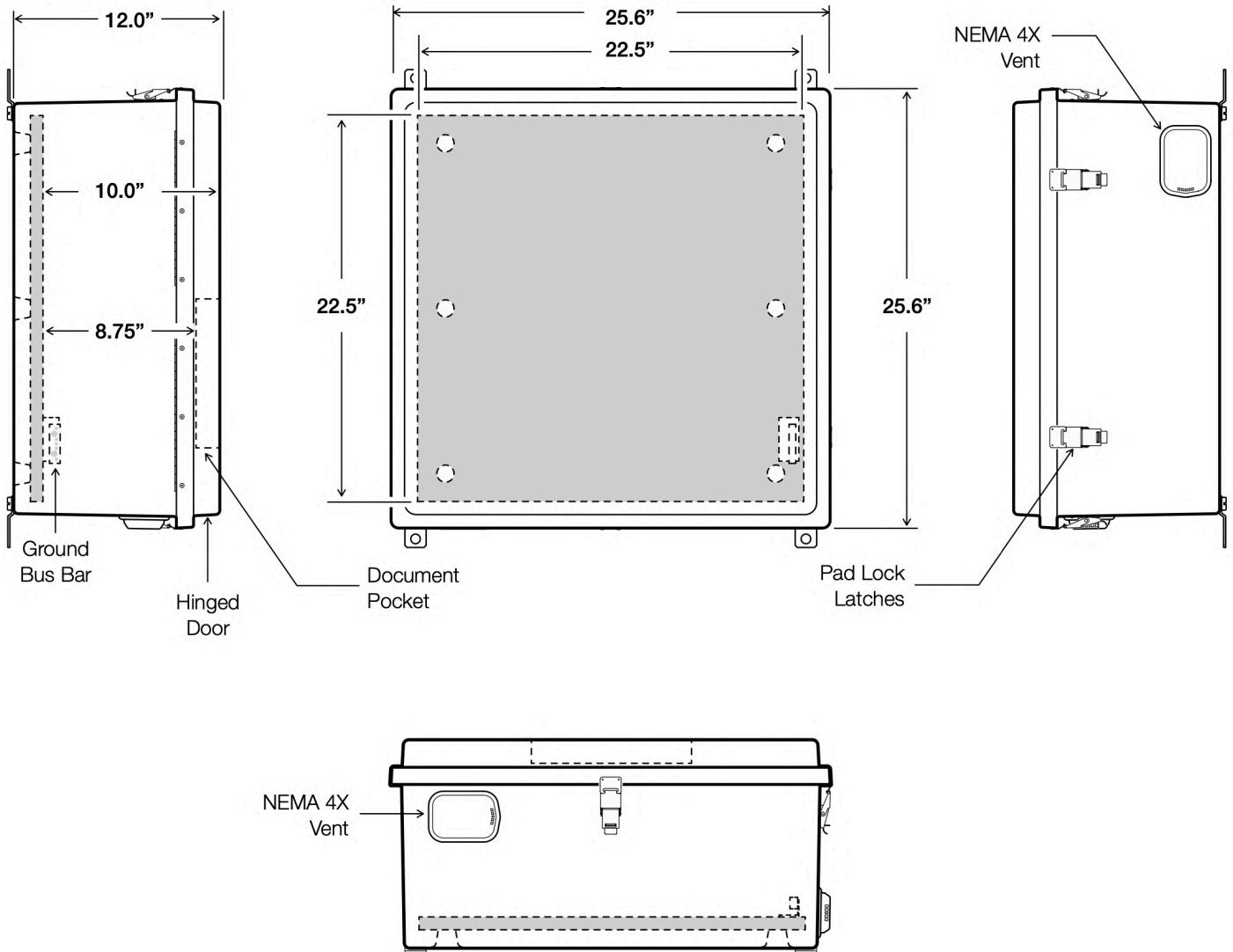
Interior Details

Usable Backboard:	22.5" (W) x 22.5" (H)
Backboard Type:	3/4" thick fire treated, painted plywood
Ground Bus:	7 position ground wire capacity (Qty. 4 – #10 to #6 AWG, Qty. 3 – #10 to #1/0 AWG)

USER GUIDE

Dimensions

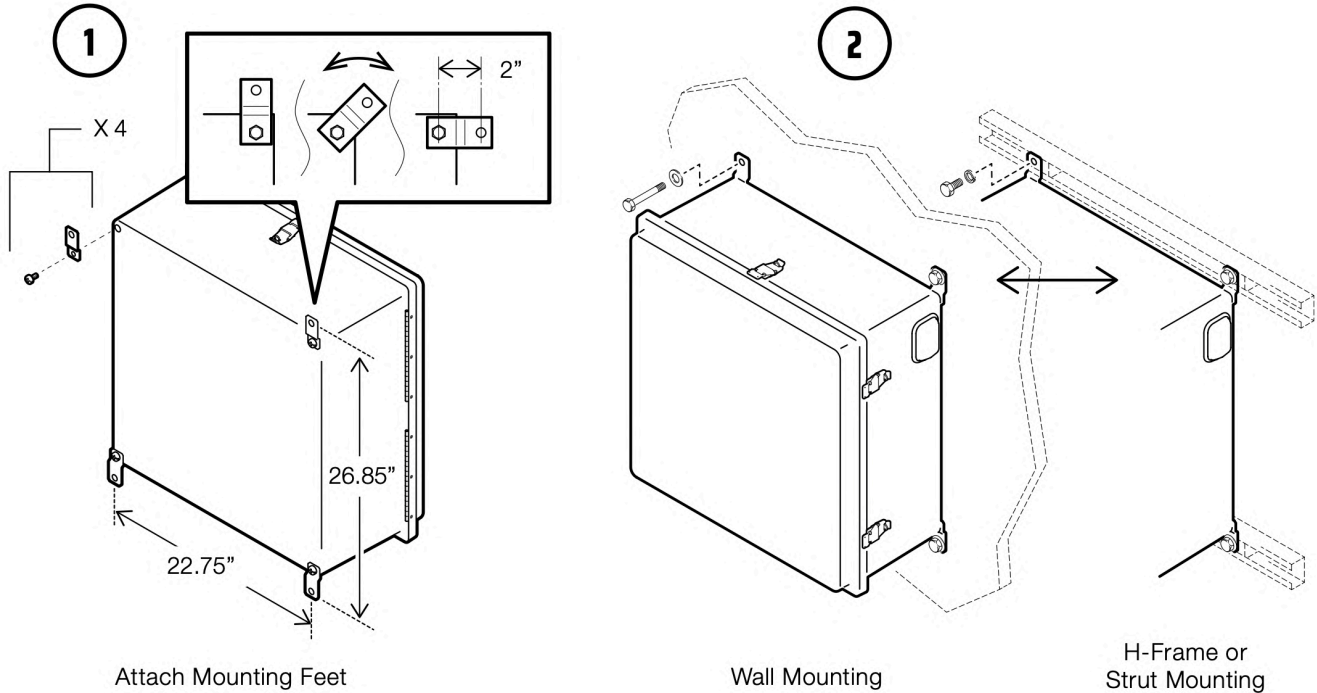
Use the drawing below for external dimensions, features, and internal equipment space.



USER GUIDE

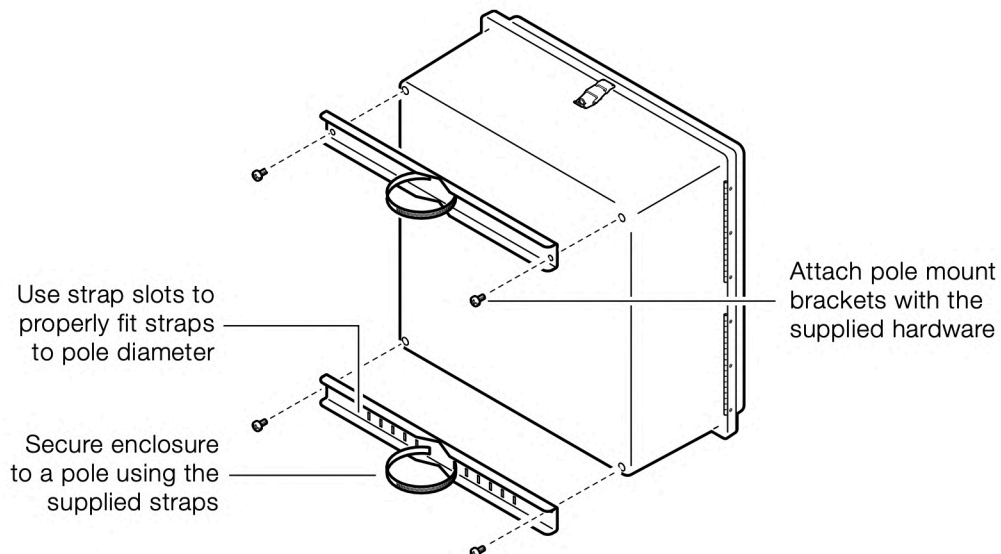
Wall Mounting

Attach the 4 mounting feet to the rear corners of the enclosure with the hardware provided.



Pole Mounting

Attach the pole brackets to the fasteners on back of the enclosure. Securely strap enclosure to pole.



USER GUIDE

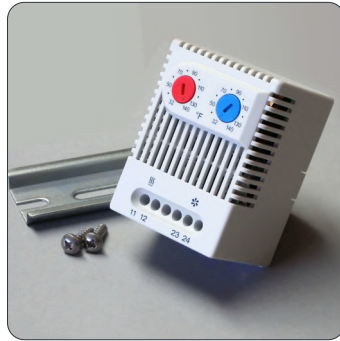
www.fiberopticlink.com

Optional Equipment

RLH fiberglass enclosures are available with optional equipment for specific applications through our factory modification service. Please contact an RLH sales representative for additional information.



Auxilliary Fan Kits



Combination Heater/Fan Kits



Heater Kits



Standard Mini Fan Kits

Contact

By Mail:

Att: Sales
RLH Industries, Inc.
936 N. Main St.
Orange, CA 92867

By Phone:

Sales / Service
Mon - Fri, 6am - 6pm, PST

Local 714-532-1672

Toll Free 800-877-1672
866-DO-FIBER

By Email:

info@fiberopticlink.com

By FAX:

714-532-1885

Tech Support

By Email:

support@fiberopticlink.com

By Phone:

Toll Free 855-754-2497
855-RLH-24X7